

GENERAL CATALOGUE 2021/22

Hera®

Hera GmbH & Co. KG
Dieselstraße 9 · D-32130 Enger
Postfach 440 · D-32124 Enger
Telefon: +49 52 24 / 911-0
Telefax: +49 52 24 / 911-215
mail@hera-online.de
www.hera-online.de

Position as per 03/2021

Subject to technical changes and errors without prior notice.
All information provided without guarantee. No liability for literal mistakes.

Hera®

Light on...



www.hera-online.de

www.hera-online.de

HERA CONTACT DETAILS



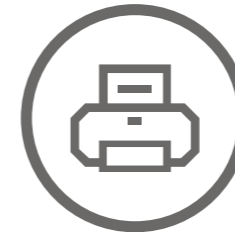
Hera GmbH & Co. KG

Dieselstraße 9
D-32130 Enger
Tel.: +49 / (0)52 24 / 911- 0
Fax: +49 / (0)52 24 / 911- 215
E-Mail: mail@hera-online.de



Office North - West

Maelostraße 2
D-45894 Gelsenkirchen-Buer
Tel.: +49 / (0)209 / 490 - 159
Tel.: +49 / (0)209 / 16 56 557
Fax: +49 / (0)209 / 490 - 119
E-Mail: becker@hera-online.de
E-Mail: belhareth@hera-online.de



Office South - East

Zeulenrodaer Straße 48
D-07950 Triebes
Tel.: +49 / (0)36622 / 72 - 838
Tel.: +49 / (0)36622 / 72 - 992
Fax: +49 / (0)36622 / 72 - 518
E-Mail: kontusch@hera-online.de
E-Mail: schauer@hera-online.de



Hera Lighting L.P.

3025 Business Park Dr.
Norcross, GA 30071 USA
Tel.: +1 / 770 / 409-85 58
Fax: +1 / 770 / 409-85 31
www.heralighting.com

www.hera-online.de



Worldwide satisfied customers

We address our products and services directly to processing companies. We have been working successfully with many of our customers for decades. Our extreme flexibility in the production of special sizes from batch size 1, our high quality standards and our ability to deliver on time are particularly appreciated.

Your satisfaction is our main business objective. That is why you and your requirements set the standard for our activities.

Online Shop always up to date & 24 hours a day



In our online shop you will always find the current selection of products. In addition to the product images, application examples and assembly sketches we have compiled all important product information for each product. Clear, informative and user friendly. Of course, all the luminaires configured by yourself can also be ordered using the shopping cart. And all that around the clock on 365 days a year.

Tailor-made luminaires configured special solutions



With the help of our luminaire configurator, you can quickly and easily plan online your individual luminaire starting from 1 piece per order, which will reach you within 5 to 10 days. First you have to select the desired LED tape and determine the light colour. After that, everything is personalized. You can specify your preferred luminaire- and cable length, the required quantity and choose between multiple profiles. Once you have specified everything for your desired luminaire, you can place it in the shopping cart and order it directly in one step.

Performance reliability & adherence to schedules



WE ALREADY KNOW WHAT YOU NEED TOMORROW! According to this motto we have built up our warehouse and thus can guarantee an on time delivery. Thanks to our high product availability, stock items from the standard program usually leave our warehouse within three days at the latest. This means we are significantly faster than many other manufacturers and this is why we daily do our best to satisfy you and your customers! And we are even well prepared for individual requirements. High flexibility and performance enable us to deliver on time.

Environmental philosophy small effort - great effect



In the interests of climate protection, Hera has joined the GOGREEN service of Deutsche Post DHL. The mailing of postal customer correspondence and the delivery of parcels has been CO²-neutral since January 2013. Moreover, the delivery of parcels has been carried out in a CO²-neutral manner by GLS Germany since October 2019. When it comes to packing materials, Hera relies on materials such as cardboard and LDPE, which are easy to recycle, as well as crashed paper made from recyclable waste-paper. Since January 2016 Hera has only used electricity from wind, water, photovoltaics and biomass from regional plants. Even the heating system has also been operated in a climate-neutral manner with green gas since 2018. A photovoltaic system has been installed on the flat roof of the company building in 2019 and supplies the remaining amount of electrical energy. With an environmentally friendly electric vehicle that is used for short journeys, Hera is also actively setting an example in e-mobility. Further hybrid vehicles complement the company fleet.

Prooven quality guaranteed, safe & up to date



Hera's quality policy is consistently oriented towards the benefit of our customers. In our in-house laboratory, all our products are tested in accordance with standards for long-term durability, maximum reliability and safety. For many years, we have complied with DIN EN ISO 9001 and DIN EN ISO 14001 certification that is reaudited annually. Hera luminaires are designed and manufactured according to the European standard EN 60598. In nearly all Hera luminaires almost exclusively so-called single-bin LEDs are used. This means that there are no fluctuations in light colours, not even in the case of a possible subsequent retrofitting. You don't have to skimp on quality: Hera stands for products with consistently high and highest quality - and at affordable prices.

Product	Page	Product	Page	Product	Page	Product	Page	Product	Page	Product	Page
A		I		T		Introduction		Accessories		Power supply track system	
ADD-ON Mini	229	IN-Stick H	117	Tape COB-10	NEW 59	General Information	2-21	EBS 4	251	Power supply track system	
AR 35 / AR 45	141	IN-Stick MF	NEW 115	Tape COB-4	NEW 57	Power supply track systems		IR Switch I24	265	Linear luminaires	
AR 68	NEW 157	IR Switch I24	265	Tape F	63	Flat-Track	27	IR-S / IR-DS	267	Linear luminaires	
AR 78 / AQ 78	175	IR-S / IR-DS	267	Tape FN	65	PS Mini	25	IR-Switch / Dimmer 24V	266	Linear luminaires	
B		IR-Switch / Dimmer 24V	266	Tape L	NEW 61	SPS Mini	31	LED 24	250	Recessed and surface mounted luminaires	
Basic Side-Tape	77	L		Top-Line	89	Track 24V	29	LED 24 transformer	248	Recessed and surface mounted luminaires	
Basic-Tape 2	69	L-Pad	241	Top-Stick FIR	123	Track Spot	211	LED 24V Dim-Controller	256	Recessed and surface mounted luminaires	
Basic-Tape Meat	71	LED 24	250	Top-Stick FMK	225	Twin-Stick 2	97	LED 24V Dynamic-Controller	255	Recessed and surface mounted luminaires	
Basic-Tape S	75	LED 24V transformer	248	Top-Stick FMT	227	Overview linear luminaires	38-41	LED 24V RGB-Controller	253	Recessed and surface mounted luminaires	
Bedside reading luminaire	183	LED 24V Dim-Controller	256	Top-Stick H	119	Up + Down	107	LED 24V RGB-Controller	253	Recessed and surface mounted luminaires	
C		LED 24V Dynamic-Controller	255	Track 24V	29	Wardrobe Tube Luminaire	105	LED 350 accessories	261	Recessed and surface mounted luminaires	
Corner Profile	79	LED 24V RGB-Controller	253	Track Spot	211	Recessed & surface mounted luminaires		LED 24 Trafos	248	Recessed and surface mounted luminaires	
Cover Profile	80	LED 350 accessories	261	Twin-Stick 2	97	AR 35 / AR 45	141	LED 24V Dim-Controller	256	Recessed and surface mounted luminaires	
Cover Profile H	81	LED Track 24V	209	U		AR 68	NEW 157	LED 24V Dynamic-Controller	255	Recessed and surface mounted luminaires	
D		LED-2-Link accessories	203	UL 2-LED F	243	AR 78 / AQ 78	175	LED 24V RGB-Controller	253	Recessed and surface mounted luminaires	
Dim-2-Warm SR 68	167	LED-2-Link Flood	201	UP + Down	107	Bedside reading luminaire	183	LED 350 accessories	261	Recessed and surface mounted luminaires	
Dim-2-Warm Tape	55	LED-2-Link Pixel	199	USB double socket & Qi Fast Charger	268	Dim-2-Warm SR 68	167	Luxor	269	Recessed and surface mounted luminaires	
Dynamic FAR 58	NEW 145	LED-2-Link Spot	197	W		Dynamic FAR / FAQ 58	NEW 145	Mirror light control	259	Recessed and surface mounted luminaires	
Dynamic FAR 68	NEW 153	Lugano	217	Wall	137	Dynamic FAR / FAQ 68	NEW 153	Motion sensor	263	Recessed and surface mounted luminaires	
Dynamic FR 215	177	M		Wardrobe Tube Luminaire	105	Dynamic FR / FQ 68 / 78	155	Qi Fast-Charger	268	Recessed and surface mounted luminaires	
Dynamic FR 55	147	Milled profile 12 mm	85	Z		Dynamic FR / FQ 68 / 78	155	SEH / SAQ & Luxor	269	Recessed and surface mounted luminaires	
Dynamic FR- / FQ 68/78	155	Milled profile 24 mm	83	Zoom	207	Dynamic FR 215	177	SEM & Door contact switch	264	Recessed and surface mounted luminaires	
Dynamic IN-Stick SF	113	Milled profile 34 mm	83			Dynamic FR 55	147	USB double socket & Qi Fast Charger	268	Recessed and surface mounted luminaires	
Dynamic ModuLite F	221	Milled profile 8 mm	NEW 84			Dynamic FR 68	169				
Dynamic Sky	233	Milled profile A 24 mm	84			Dynamic HV SR 68	173				
Dynamic Slim-Pad F	237	Milled profile I 24 mm	85			Eye	139				
Dynamic SR 68	169	Mirror light control	259			FAR / FAQ 58	NEW 149				
Dynamic Tape	51	ModuLite F	223			FAR / FAQ 68	NEW 159				
Dynamic Tape F	49	Motion sensor	263			FQ 68	163				
Dynamic Tape S	53	Mounting profile	82			FR 55	151				
Dynamic Top-Stick F	121	P				FR 65/205 / FQ 65/205	179				
E		Panel	181			FR 68 / 78	161				
EBS 4	251	Pipe	111			HV FR 68 / 78	165				
Eco HV SR 68	173	Pipe F	109			Panel	181				
Eco-Tape	73	Point S	213			Sky Window	185				
EcoLite F	125	Power-Stick S	95			SR 45	143				
Evo-Stick F2	103	Power-Stick T	99			SR 68 4.8W / 7.5W	171				
Eye	139	Power-Stick TF	101			Wall	137				
F		Premium-Tape	67			Showcase & cabinet luminaires					
FAR 58	NEW 149	Profile for glass shelves	81			Glass Clip	215				
FAR 68	NEW 159	PS Mini	25			LED Track 24V	209				
Flat-Track	27	R				LED-2-Link Flood	201				
FM 1 / FM 2	35	RGB Tape	45			LED-2-Link Pixel	199				
FM 3	37	RGB Tape F	47			LED-2-Link Spot	197				
FR 55	151	RGBW Tape	43			LED-2-Link accessories	203				
FR 68 / FR 78 / FQ 68	161	S				Lugano	217				
FR 68 / FR 78 / FQ 68	163	SEH / SAQ & Luxor	269			Point S	213				
FR/FQ 65/205	179	SEM & Door contact switch	264			Spot	195				
G		SIL-LED B	245			Zoom	207				
Glas-Line	231	Sky	235			Under cabinet luminaires					
Glass Clip	215	Sky Window	185			ADD-ON Mini	229				
H		Slim-Pad F	239			Dynamic ModuLite F	221				
Hera - Configurator	87	SlimLite® CS	133			Dynamic Sky	233				
HV FR 68- / HV FR 78	165	SlimLite® CS accessories	131			Dynamic Slim-Pad F	237				
		SlimLite® CS LED HE+	127			Glas-Line	231				
		SlimLite® CS LED HO+ / HO+ dimmable	127			L-Pad	241				
						ModuLite F	223				
						SIL-LED B	245				
						Sky	235				

Photo: AdobeStock



HOTEL & GASTRONOMY AS WELL AS INTERIOR & LIVING
Special features for accommodation & hospitality as well as for interior design

Hotel & Gastronomy

Product	Page
AR 68	NEU 157
Basic Side-Tape	77
Basic-Tape 2	69
Bedside reading luminaire	183
Dim-2-Warm SR 68	167
Dim-2-Warm Tape	55
Door contact switch	264
Dynamic FR / FQ 68 / 78	155
Dynamic ModuLite F	221
Dynamic Tape	51
Dynamic Tape F	49
Dynamic SR 68	169
Eco HV SR 68	173
Eye	139
FR 65/205 / FQ 65/205	179
FR 68 / 78	161
Glass Clip	215
HV FR 68 / 78	165
IN-Stick MF	NEU 115
Mirror light control	259
ModuLite F	223
Motion sensor	263
Qi Fast-Charger	268
RGB Tape	45
RGBW Tape	43
Sky Window	185
Mirror light control	259
SR 45	143
SR 68 4.8W / 7.5W	171
Tape F	63
Tape FN	65
Top-Stick FMK	225
USB Double Socket & Qi Fast-Charger	268
Wall	137
Wardrobe Tube Luminaire	105

Cabinet interior fittings

Product	Page
Door contact switch	264
IR Switch I24	265
IR-DS	267
IR-Switch / Dimmer 24V	266
SIL-LED B	245
Wardrobe Tube Luminaire	105

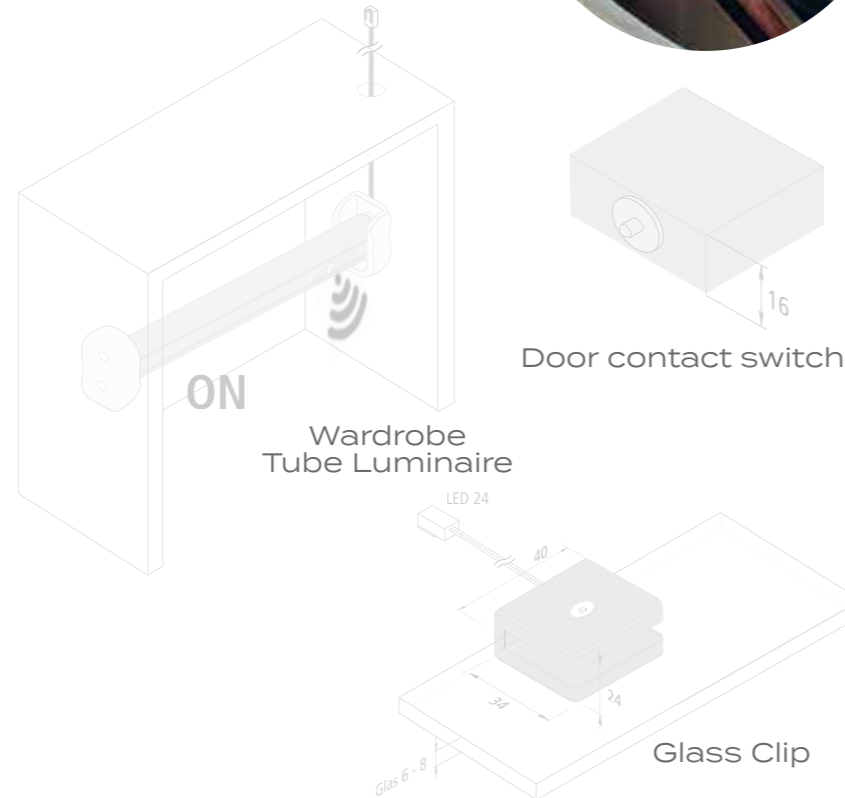


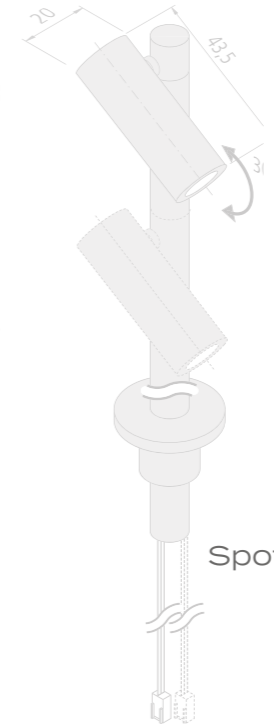
Photo: Shutterstock



SHOWCASE LUMINAIRES & POWER SUPPLY TRACK SYSTEMS
Special products for the illumination of shelves and products

Showcase lighting

Product	Page
Dynamic FR 55	147
Dynamic FR / FQ 68 / 78	155
Eye	139
LED-2-Link Flood	201
LED-2-Link Pixel	199
LED-2-Link Spot	197
LED-2-Link accessories	203
Spot	195
Track 24V	29
Track Spot	211
Zoom	207



Power supply track systems

Product	Page
Flat-Track	27
LED 24	250
PS Mini	25
SPS Mini	31
Track 24V	29

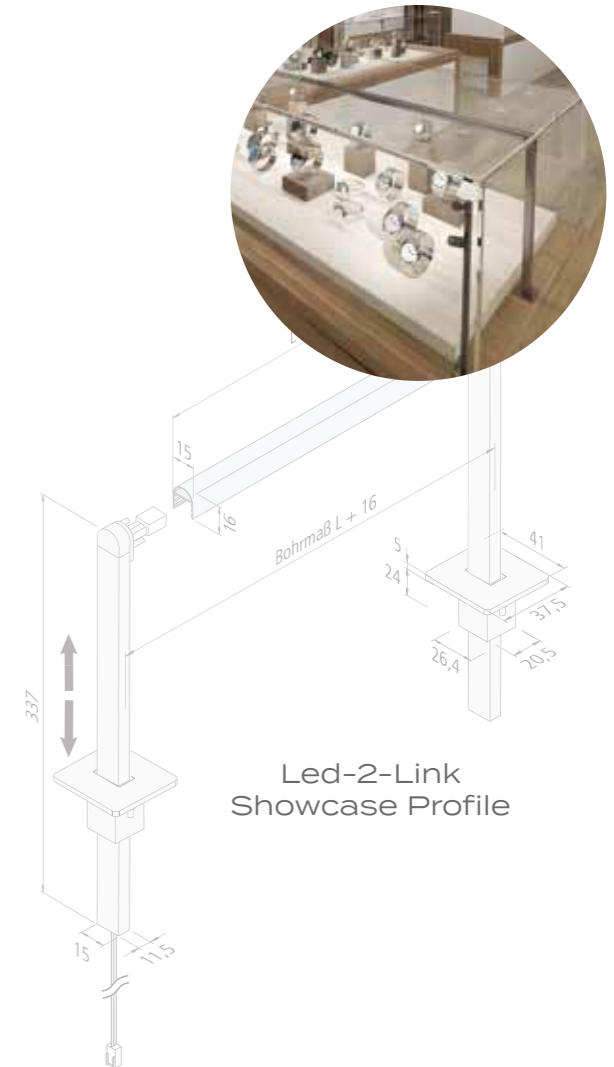
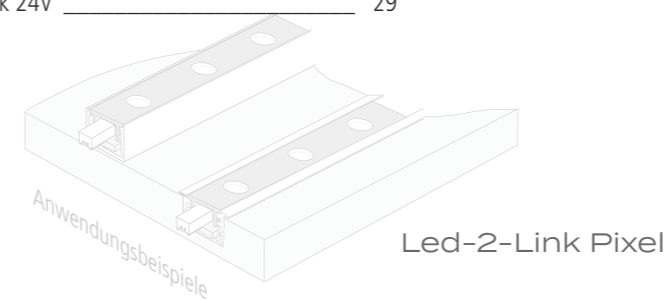




Photo: Shutterstock

FOOD & SPECIAL LIGHT ATMOSPHERES

Special illumination of food in retail and lighting atmosphere

Food - bread & meat

Product	Page
Basic-Tape 2	69
Basic-Tape Meat	71
Evo-Stick F2	103
IN-Stick H / HR	117
Pipe	111
Power-Stick T	99
Power-Stick TF	101
SlimLite® CS LED HE+	127
SlimLite® CS LED HO+ / HO+ dimmable	127
Top-Stick H / HR	119

HCL / tunable

Product	Page
Dynamic FAR / FAQ 58	NEW 145
Dynamic FAR / FAQ 68	NEW 153
Dynamic FR / FQ 68 / 78	155
Dynamic FR 215	177
Dynamic FR 55	147
Dynamic IN-Stick SF	113
Dynamic ModuLite F	221
Dynamic Sky	233
Dynamic Slim-Pad F	237
Dynamic SR 68	169
Dynamic Tape	51
Dynamic Tape F	49
Dynamic Tape S	53
Dynamic Top-Stick F	121
Sky Window	185

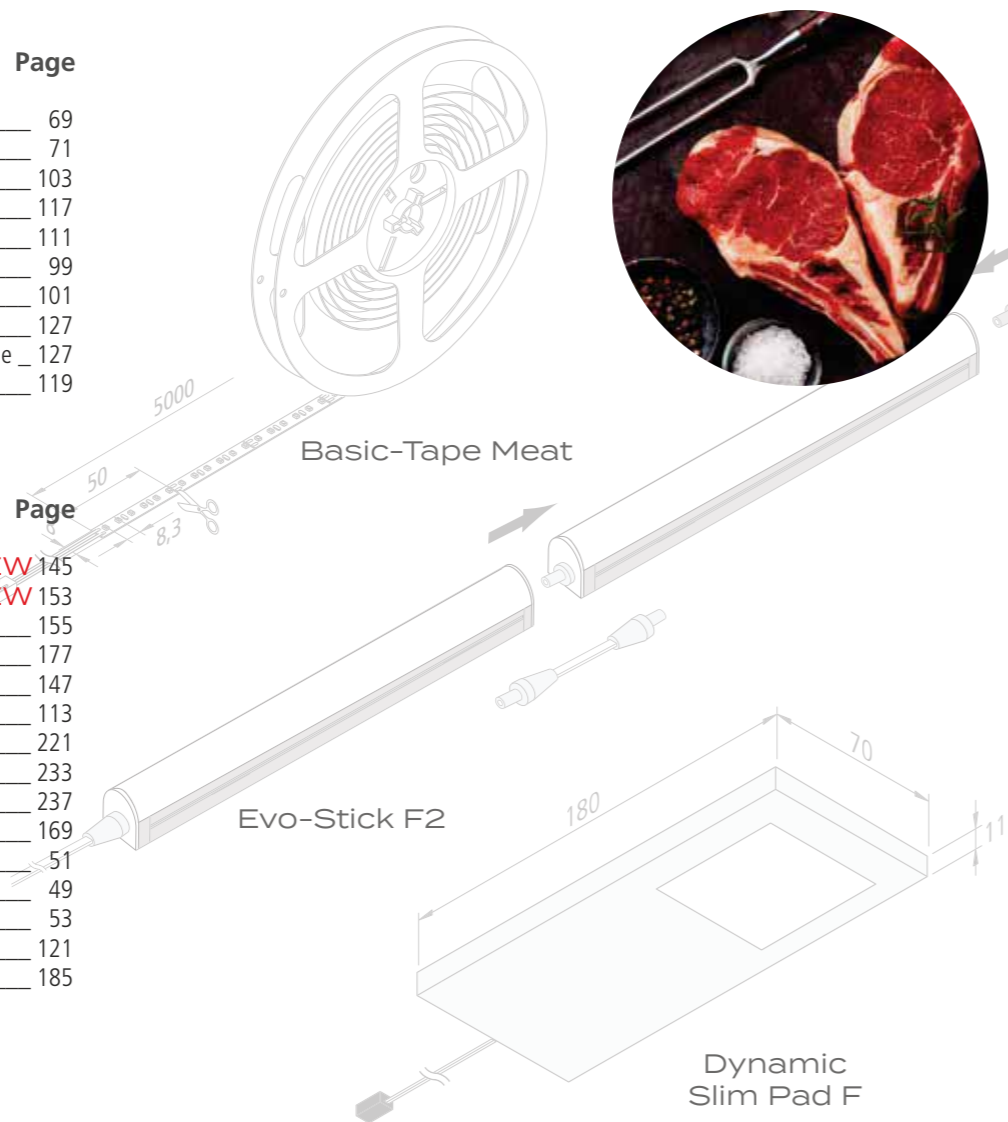


Photo: Shutterstock

SMART HOME, HOME OFFICE & CUSTOMIZED SOLUTIONS

Intelligent solutions for individual requirements

Smart Home

Product	Page
LED 24V Dim-Controller	256
LED 24V Dynamic-Controller	255
LED 24V RGB-Controller	253
RGBW Tape	43

Workplace lamp UGR<19

Product	Seite
Dim-2-Warm SR 68	167
Dynamic SR 68	169
SR 68 4.8W / 7.5W	171
Sky Window	185

Eco luminaires

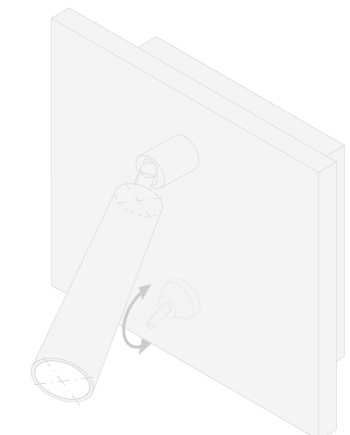
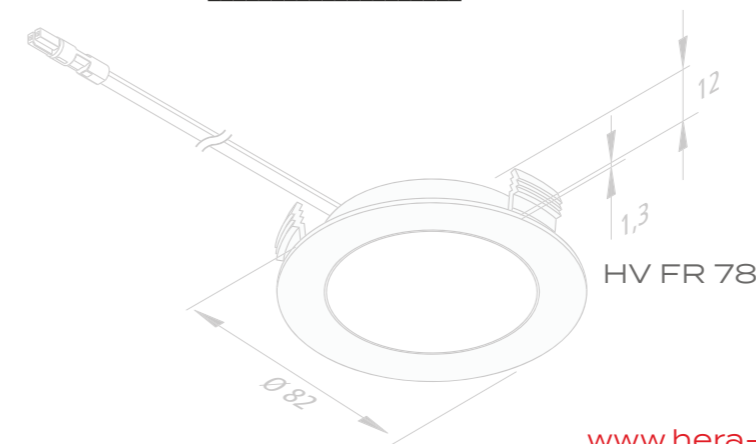
Product	Page
Eco HV SR 68	173
Eco-Tape	73
EcoLite F / HO	125

Customized solutions

Product	Page
Bedside reading luminaire	183
FM 3	37
Lugano	217
Mirror light control	259
Panel	181
Sky Window	185
Tape L	NEW 61
Wall	137

230V solutions

Product	Page
EcoLite F / HO	125
Eco HV SR 68	173
Dynamic ModuLite F	221
HV FR 68 / 78	165
ModuLite F	223
SlimLite® CS LED HE+	127
SlimLite® CS LED HO+ / HO+ dimmable	127
Wall	137



Bedside reading luminaire

Wireless remote control



INTRODUCTION
2 - 21



SHOWCASE & OVER-CABINET LUMINAIRES
190 - 217



POWER SUPPLY TRACK SYSTEMS
22 - 31



UNDER CABINET LUMINAIRES
218 - 245



LINEAR LUMINAIRES
32 - 133



ACCESSORIES
246 - 269



RECESSSED AND SURFACE MOUNTED LUMINAIRES
134 - 189



APPENDIX
270 - 271
INDEX BY ARTICLE NUMBER
270 - 275



Cooler light for working



Warm light for cosiness



Warm light on cold days



Cool light on hot days



Cool light to start the day



Warm light for a pampering bath



Dynamic LED cool white (5000K)



Dynamic LED warm white (2700K)

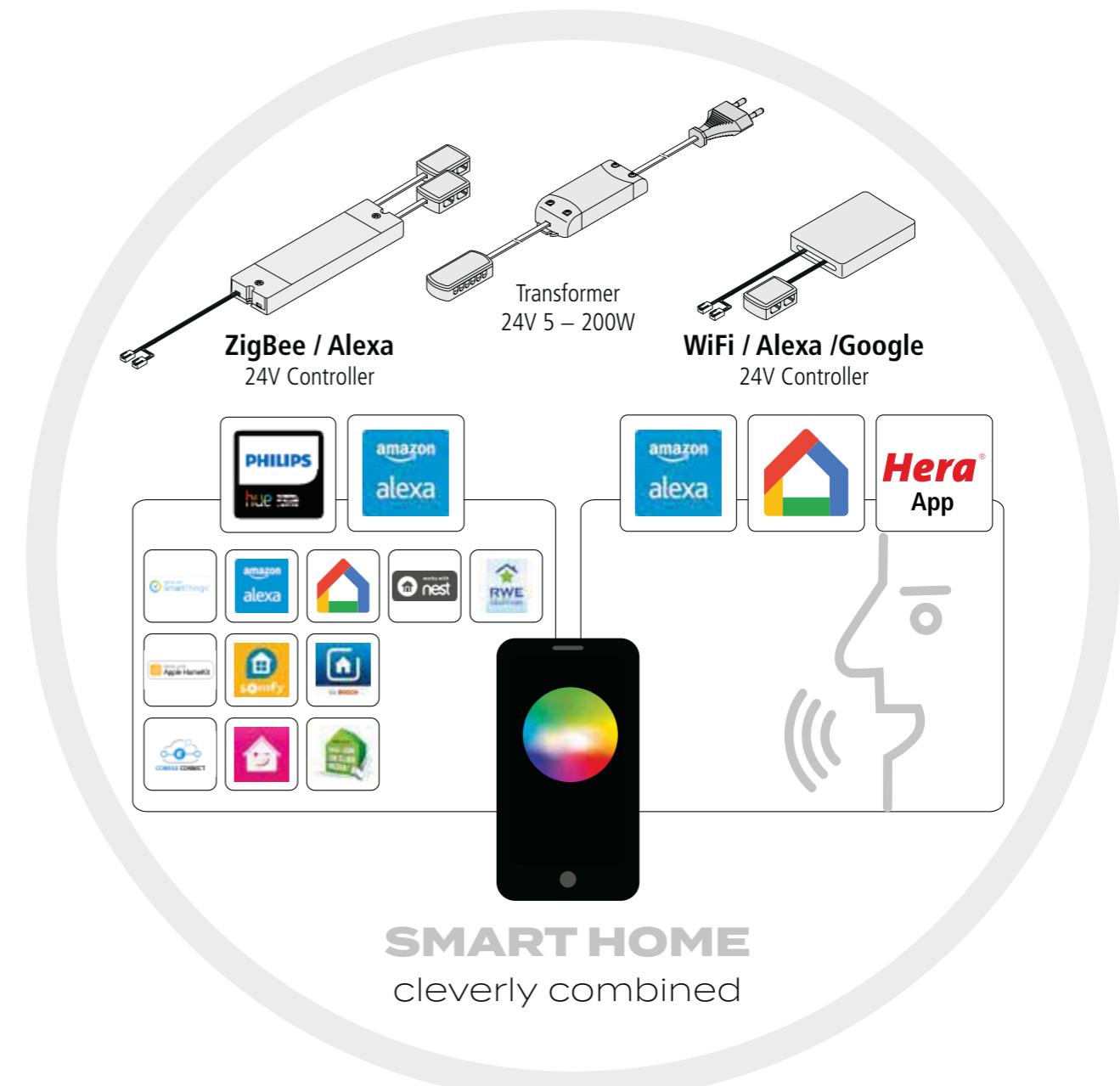
Dynamic LED for harmoniously changing lighting atmospheres

In modern lighting design lighting solutions are in demand that in addition to outstanding energy efficiency offer the possibility of dynamically adjusting the brightness and light colour of the light to the respective needs and moods.

For the realisation of individual lighting scenarios the various Dynamic White luminaires are characterised by adjustable colour temperatures in the white range between extra warm white 2700 and cold white 5000 Kelvin. In addition to a WiFi solution (via app using a smartphone or tablet), a 4-channel, recessed or surface-mounted radio remote control as well as a digital control via BUS systems (via DALI) are available for control.

Likewise, in addition to individual preferences and lighting moods the light colour can thus be optimally matched to the colour of the ceiling luminaires or the extractor hood to achieve a uniform overall appearance.

With additional mounting brackets the recessed luminaires can also be used in drywall construction for realising a synchronous control of ceiling and kitchen luminaires.





DYNAMIC SKY



233



Photo: Sachsenkitchen

LUGANO



217



Photo: Schröder Küchen

FAQ 68



159



BEDSIDE READING LUMINAIRE



183



DYNAMIC MODULITE F



221



TAPE FN



65



EVO-STICK F 2

103



Photo: Cornelsen

ECOLITE F / HO

125



Photo: Juwelier Dural

LED-2-LINK

201



Photo: AHA GmbH www.aha360.com

SR 45

143



FLAT-TRACK

27

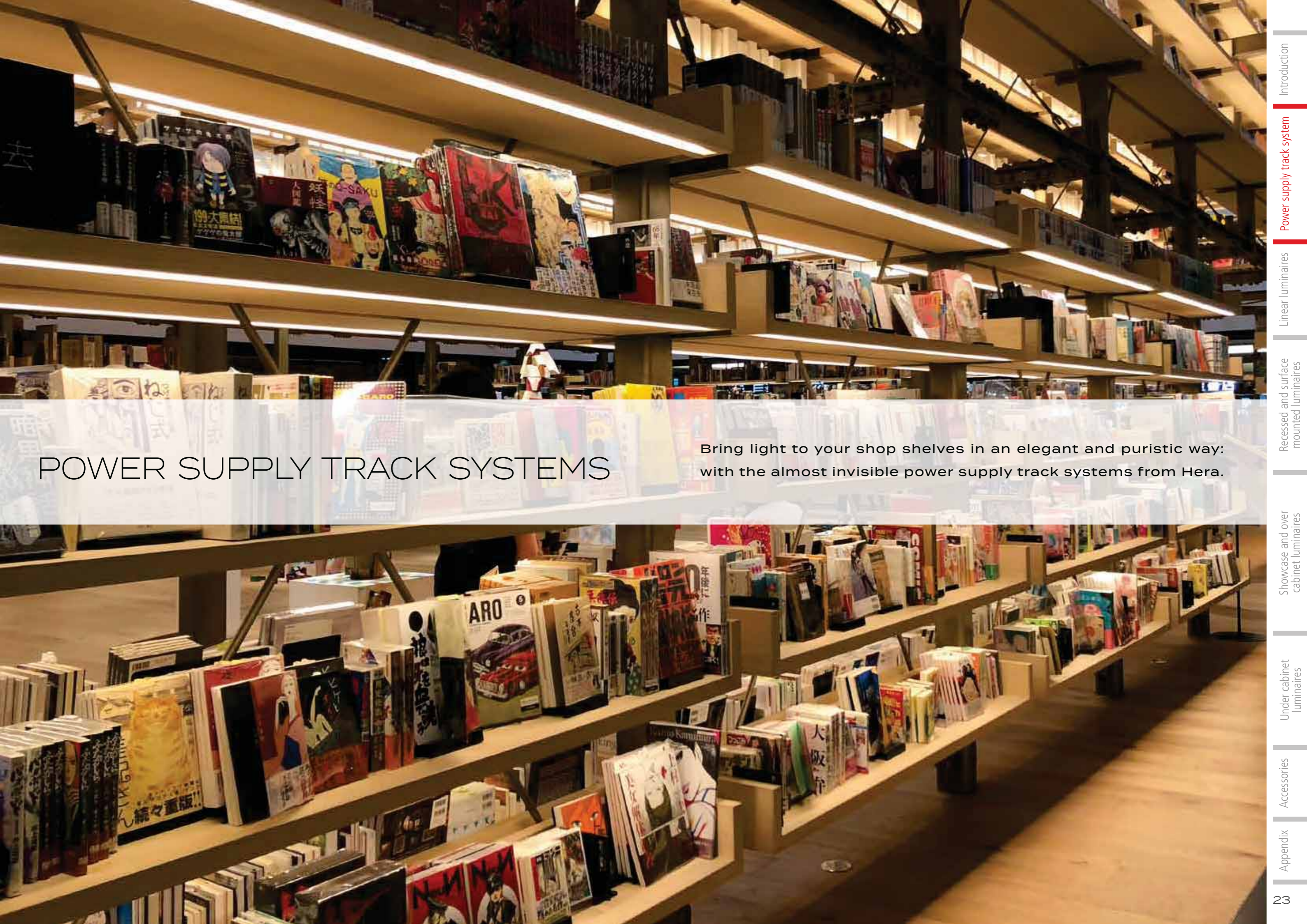


Photo: Küchenstudio Amann

DYNAMIC IN-STICK SF

113





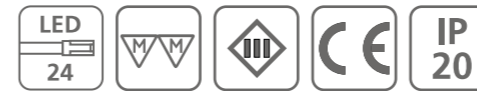
POWER SUPPLY TRACK SYSTEMS

Bring light to your shop shelves in an elegant and puristic way: with the almost invisible power supply track systems from Hera.



PS MINI

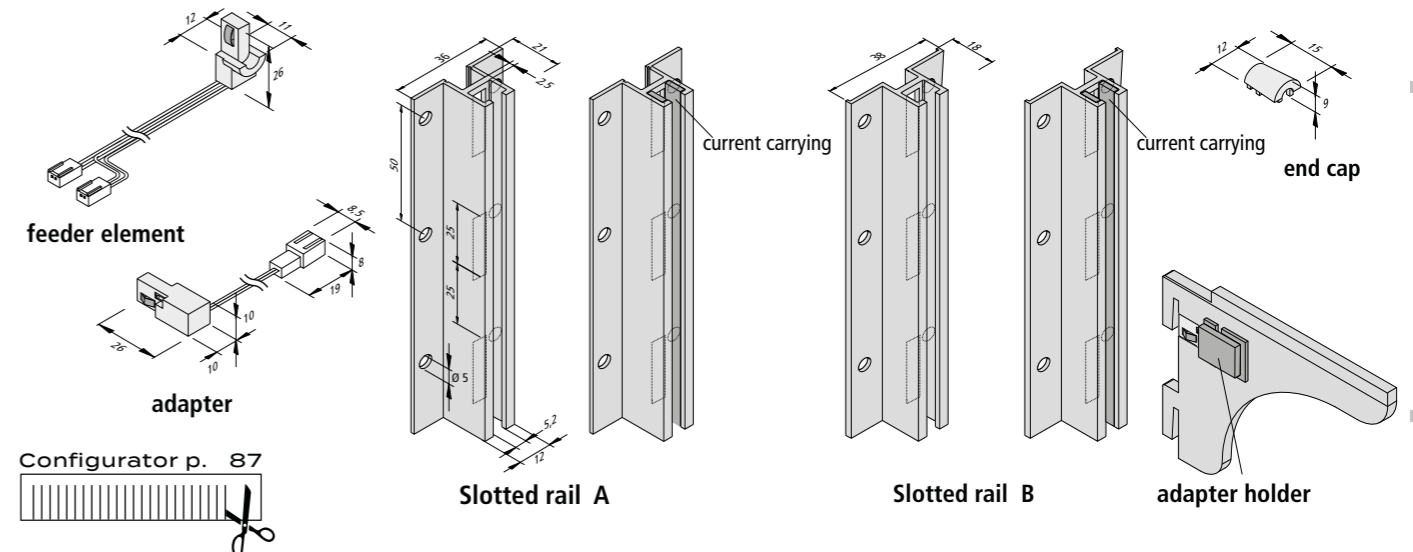
Slotted rail with power supply 24 V



Connection: LED transformer DC 24 V
Output: max. 115 W per track / 48 W per adapter

Special features:

- invisible power supply, integrated into the system
- for flush-mounted installation
- both-sided power supply with a minimal material thickness of 38 mm (2x 19 mm)
- high variability because of stepless adjustment (without tools)
- colour: anodized aluminium, black and white on request
- NEW: PS Mini adapter holder for shelf bracket



Mounting variants

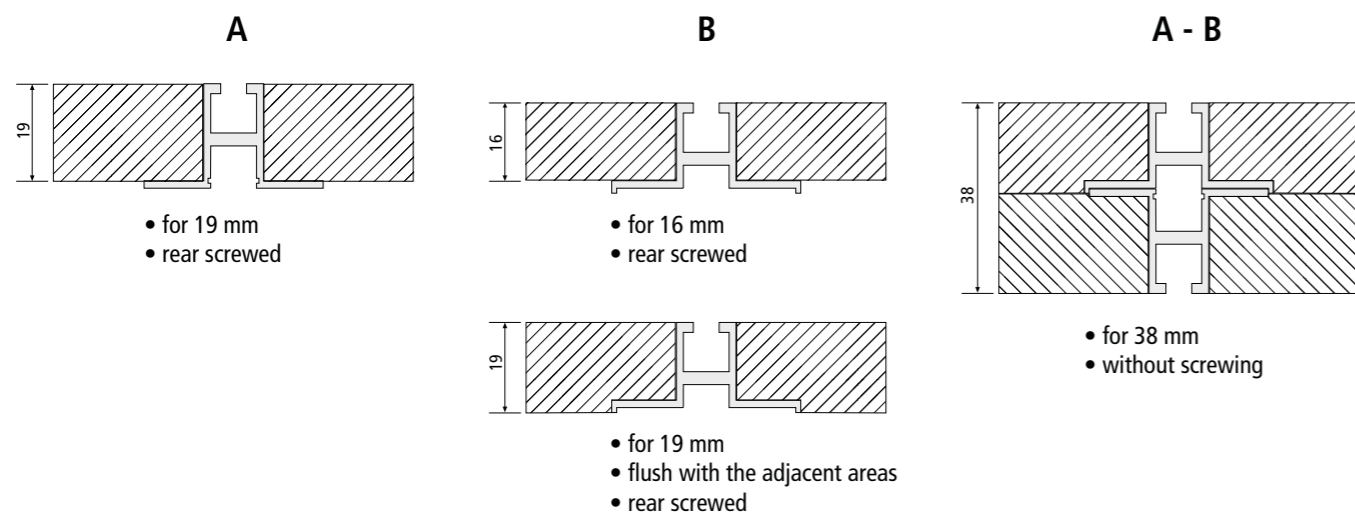


Illustration	Article No.	Description	Features	Weight approx.
	218 020 400 26	Slotted rail PS Mini A 2000mm anodized aluminium + current carrying	• anodized aluminium (black and white on request) • incl. current carrying	810 g
	218 020 401 26	Slotted rail PS Mini B 2000mm anodized aluminium + current carrying	• anodized aluminium (black and white on request) • incl. current carrying	810 g
	218 020 400 06	Slotted rail PS Mini A 2000mm anodized aluminium	• anodized aluminium (black and white on request) • without current carrying	760 g
	218 020 401 16	Slotted rail PS Mini B 2000mm anodized aluminium	• anodized aluminium (black and white on request) • without current carrying	760 g
	213 041 180 02	PS Mini end cap anodized aluminium	• anodized aluminium (black and white on request)	1 g
	215 450 125 02	PS Mini feeder element anodized aluminium	• supply cable 2,5m with 2 x LED 24 plug • max. 115W	63 g
	215 450 301 02	PS Mini adapter 0,1m anodized aluminium	• supply cable with LED 24 socket • max. 48W	4 g
	213 010 102 22	PS Mini adapter holder anodized aluminium NEW	• in two parts	30 g
Accessories	PS Mini adapter: can be selected in the configurator as connection element			



FLAT-TRACK

Flat power supply 24 V

Introduction

Power supply track system

Linear luminaires

Recessed and surface mounted luminaires

Showcase and over cabinet luminaires

Under cabinet luminaires

Accessories

Appendix

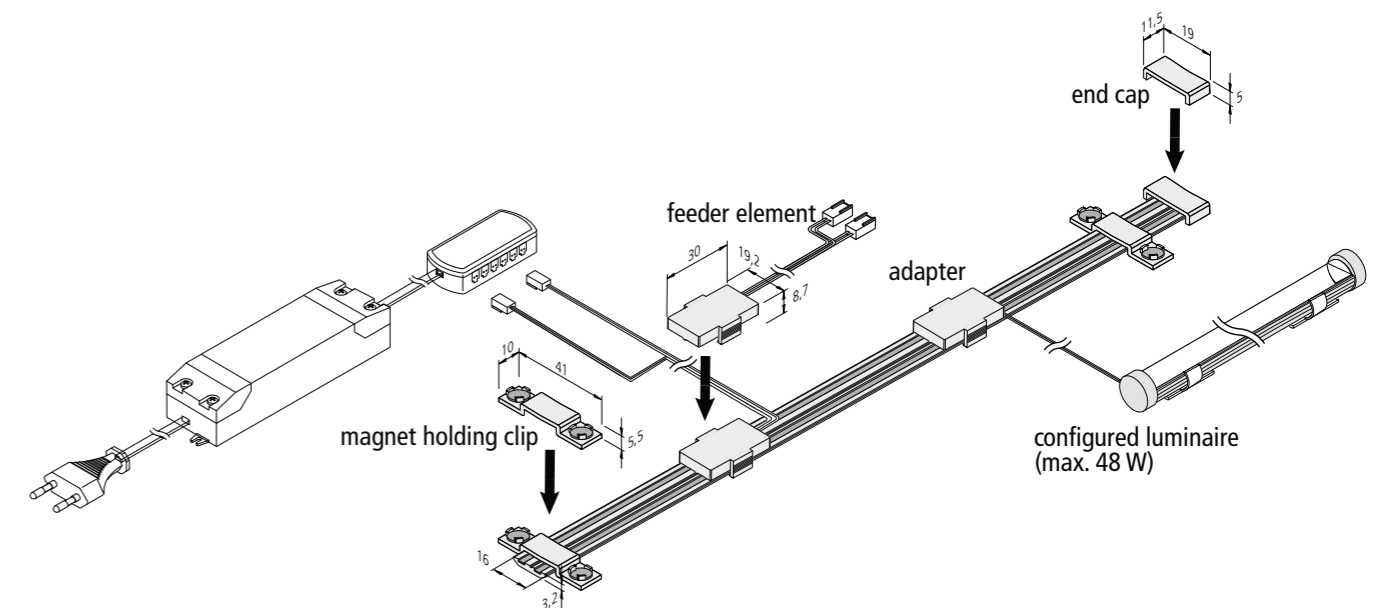


Connection: LED transformer DC 24 V

Output: max. 115 W per track

Special features:

- for perfect and promotional illumination of shelves without disturbing and visible cables
- easy and time-saving installation without tools by magnet or adhesive fastening
- suitable for all common systems due to a minimal construction height of 3,2-3,5 mm (max.)
- also ideal for mounting on metal, wooden, glass or mirror backwalls
- flexible and nearly invisible positioning of current collector
- Flat-track available in 2 standard lengths (1500 and 2600 mm), cuttable to any length



Configurator p. 87



Illustration	Article No.	Description	Features	Weight approx.
	218 030 103 02	Flat-Track 1500mm grey	<ul style="list-style-type: none"> • can be cut to length • version with adhesive tape or magnetic tape on request 	100 g
	218 030 103 03	Flat-Track 1500mm black		100 g
	218 030 104 02	Flat-Track 2600mm grey		174 g
	218 030 104 03	Flat-Track 2600mm black		174 g
	213 041 190 02	Flat-Track end cap grey	<ul style="list-style-type: none"> • height: 12mm / width: 19mm / depth: 5mm 	1 g
	213 041 190 03	Flat-Track end cap black		1 g
	218 030 401 02	Flat-Track magnet holding clip grey	<ul style="list-style-type: none"> • height: 10mm / width: 41mm / depth: 5,5mm with track 	3 g
	218 030 401 03	Flat-Track magnet holding clip black		3 g
	218 030 201 02	Flat-Track feeder element grey	<ul style="list-style-type: none"> • supply cable 2,5m with 2x LED 24 plug • max. 115W 	63 g
	218 030 201 03	Flat-Track feeder element black		63 g
Accessories	Flat-Track adapter: can be selected in the configurator as connection element			



TRACK 24V

Low-voltage power supply for 24 V DC



Connection: LED transformer DC 24 V
Output: max. 200 W per track / 48 W per adapter

Special features:

- adapter with double LED 24-connector for optional power supply of two shelves
- suitable luminaires and other accessories page 126

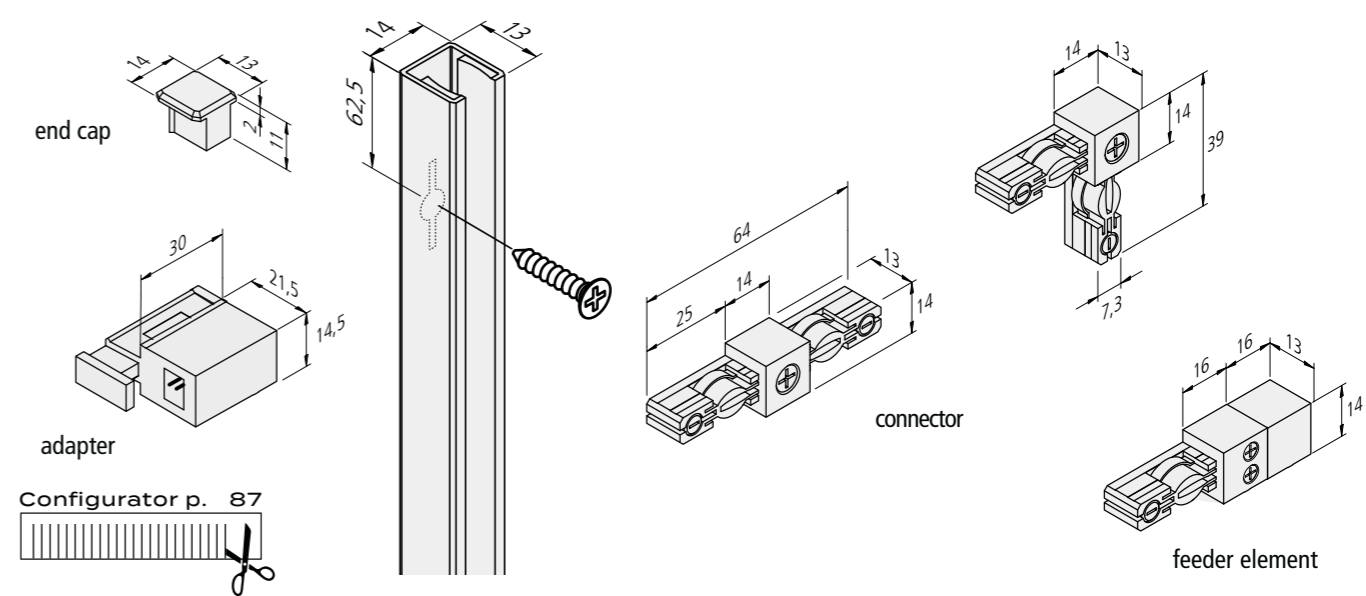


Illustration	Article No.	Description	Features	Weight approx.
	218 000 801 03	Track adapter black	• with 2x LED 24 connector • max. 2x 48W	10 g
	218 000 801 07	Track adapter anodized aluminium		10 g
	218 000 101 03	LED Track 300mm black	• can be cut to length • incl. fastening screws	70 g
	218 000 101 07	LED Track 300mm anodized aluminium		70 g
	218 000 102 03	LED Track 600mm black		140 g
	218 000 102 07	LED Track 600mm anodized aluminium		140 g
	218 000 103 03	LED Track 1000mm black		230 g
	218 000 103 07	LED Track 1000mm anodized aluminium		230 g
	218 000 201 23	Track feeder element black	• with terminal screws for connection to the transformer • max. 200W	7 g
	218 000 201 27	Track feeder element anodized aluminium		7 g
	218 000 301 03	LED Track Connector black	• for connecting two rails at 180°	10 g
	218 000 301 07	LED Track Connector anodized aluminium		10 g
	218 000 401 03	LED Track Corner Connector black	• for connecting two rails at 90°	10 g
	218 000 401 07	LED Track Corner Connector anodized aluminium		10 g
	218 000 501 03	LED Track End Cap black		2 g
	218 000 501 07	LED Track End Cap anodized aluminium		2 g
	615 003 008 17	Transformer LED 24/ 30W with connecting cable 1m + ferrules	• mains cable 2m with Euro plug	250 g
	206 040 019 04	Transformer LED 24/ 75W with connecting cable 1m + ferrules		460 g
	615 003 013 15	Transformer LED 24/200W with connecting cable 1m + ferrules		611 g



SPS MINI

Invisible shelf power supply 24 V

Introduction

Power supply track system

Linear luminaires

Recessed and surface mounted luminaires

Showcase and over cabinet luminaires

Under cabinet luminaires

Accessories

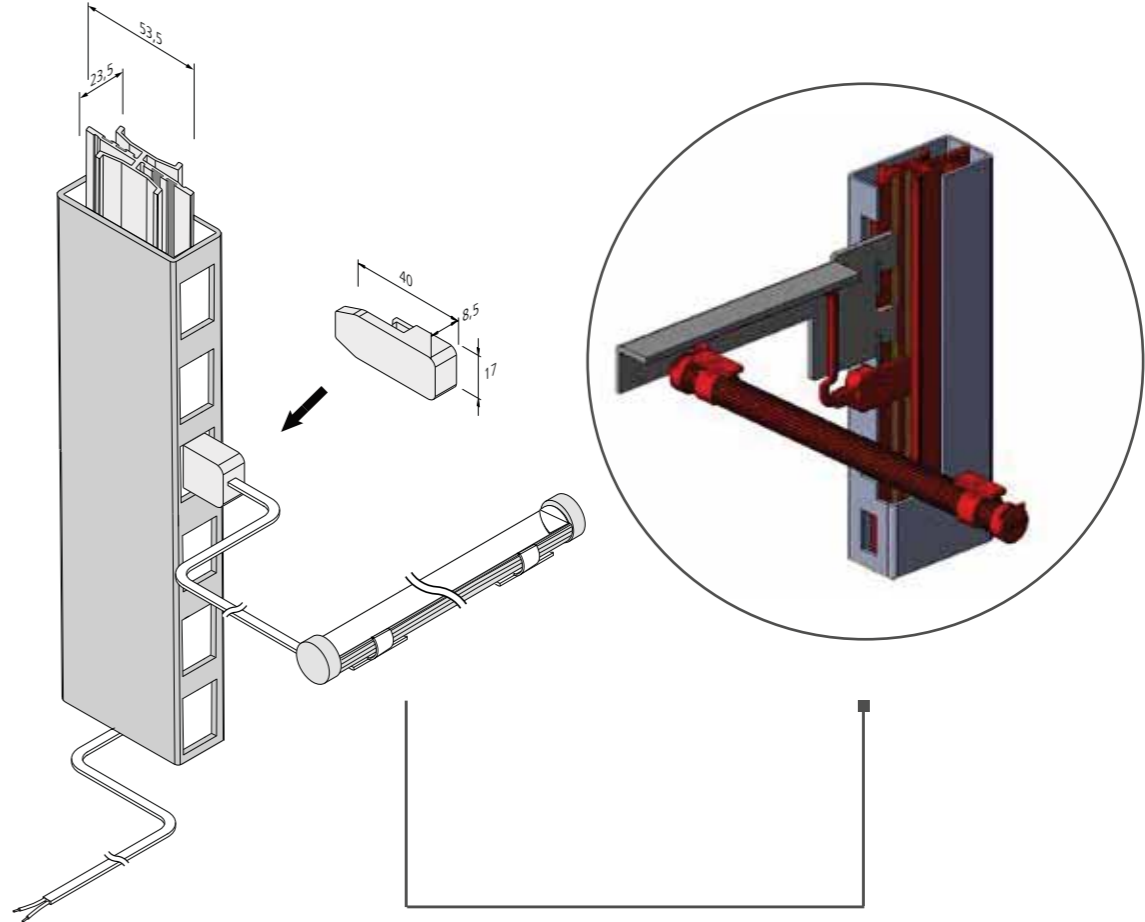
Appendix



Connection: LED transformer DC 24 V
Output: max. 240 W per track / 48 W per adapter

Special features:

- easy and time-saving installation without tools
- one plug & play system as a complete solution, combinable with all 24 V Hera luminaires from the configurator
- for illumination of e.g. metal, wood and glass shelves
- the through-connected SPS power track enables a two-sided use (ideal for e.g. „Gondola“ applications)
- as the adapter locks to the inside track, any 30/60 system can be used, regardless of the grids



Configurator p. 87



Illustration	Article No.	Description	Features	Weight approx.
	218 041 101 03	SPS Mini power track 600mm	<ul style="list-style-type: none"> • can be cut to length • incl. fixing device • for 30/60mm profile • supply cable 2m with ferrules for direct connection to the transformer • max. 240W 	425 g
	218 041 102 03	SPS Mini power track 1100mm		700 g
	218 041 103 03	SPS Mini power track 1800mm		1100 g
	Accessories	SPS Mini power track adapter black: can be selected in the configurator as connection element		

LINEAR LUMINAIRES

LED tapes can be used in many ways, whether as flexible tapes for indirect lighting or integrated into attractive recessed and surface-mounted profiles.



FM 1 / FM 2

LED modules for backlight applications

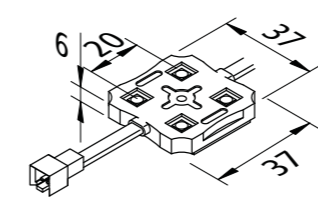


Connection: LED transformer DC 24 V
Life: L70/B10 ≥ 40.000 hours
Energy efficiency: LED: 100 - 110 lm/W; luminaire FM 1: 450 lm / FM 2: 540 lm
Colour rendering: Ra/CRI > 80

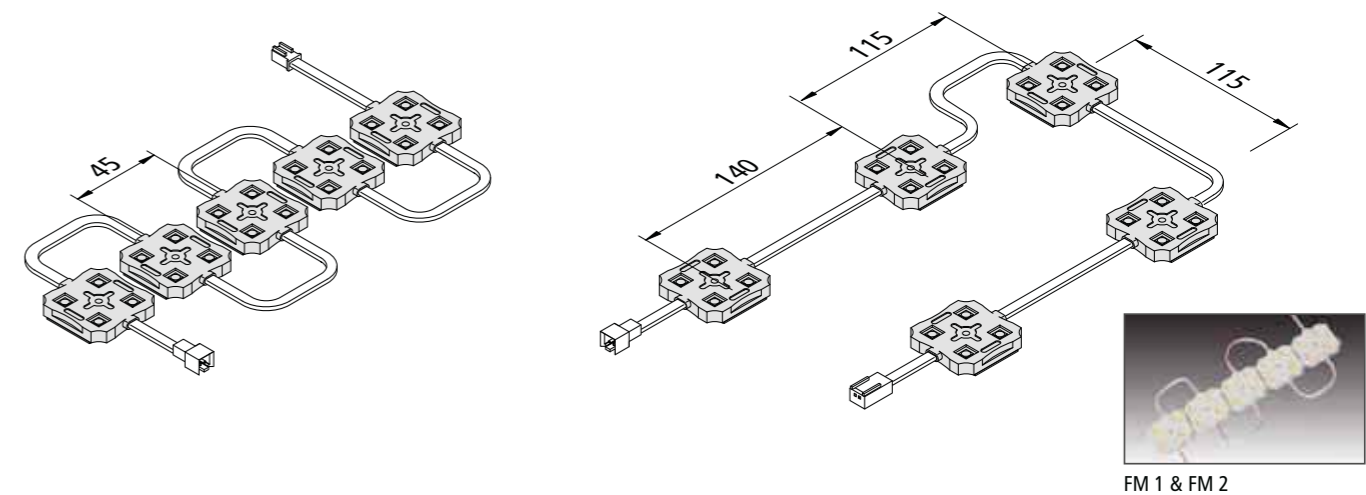
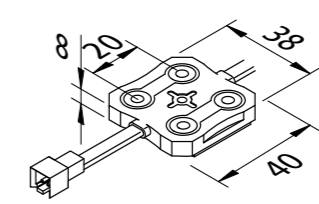
Special features:

- On a minimum distance of 45 mm (min. distance between seating and diffusor FM 1: 30 mm / FM 2: 25 mm) only 100 units (5 modules are 1 unit, 500 / 750 W) per squaremeter are required
- on a maximum distance of 115 mm (min. distance between seating and diffusor FM 1: 80 mm / FM 2: 60 mm) only 15 units (5 modules are 1 unit, 75 / 113 W) per squaremeter are required. Max. 9 units (FM 2: 6 units 5 modules are 1 unit) per connection line.
- Easy installation due to adhesive tape or screws.

FM 1-LED



FM 2-LED



Application examples



Illustration	Article No.	Description	Features	Weight approx.
	202 021 001 03	FM 1-LED 5x1,0W nw (20 LED)	<ul style="list-style-type: none"> • colour appearance nw (neutral white) approx. 4000K • supply cable 5cm with LED 24 plug • connecting cable 5cm with LED 24 socket 	60 g
	202 021 011 03	FM 2-LED 5x1,5W nw (20 LED)		60 g
	215 300 610 01	LED 24 connecting cable 1,0m	<ul style="list-style-type: none"> • up to max. 60W usable • further information on page 250 	9 g
	215 300 625 01	LED 24 connecting cable 2,5m		22 g
	206 040 023 01	Transformer LED 24/ 5W DC 24V	<ul style="list-style-type: none"> • mains cable 2m with Euro plug • 12-way distributor 	160 g
	206 040 011 01	Transformer LED 24/ 15W DC 24V		167 g
	206 040 012 01	Transformer LED 24/ 30W DC 24V		330 g
	206 040 019 01	Transformer LED 24/ 75W DC 24V		460 g
	206 040 030 02	Transformer LED 24/200W DC 24V		611 g



Photo: Juwelier Dural



Connection: LED transformer DC 24 V
Life: L70/B10 ≥ 40.000 hours
Energy efficiency: LED: 125 lm/W; luminaire FM 3 Basic: **1760 lm** / FM 3: **3310 lm** / Dynamic FM 3: **1560 lm** LED: 33 lm/W; luminaire RGB FM 3: **824 lm**
Colour rendering: Ra/CRI > 80

Special features:

- 8 units (128 / 256 W) per squaremeter are required (min. distance between seating and diffusor = FM 3: 30 mm)
- easy installation due to adhesive tape

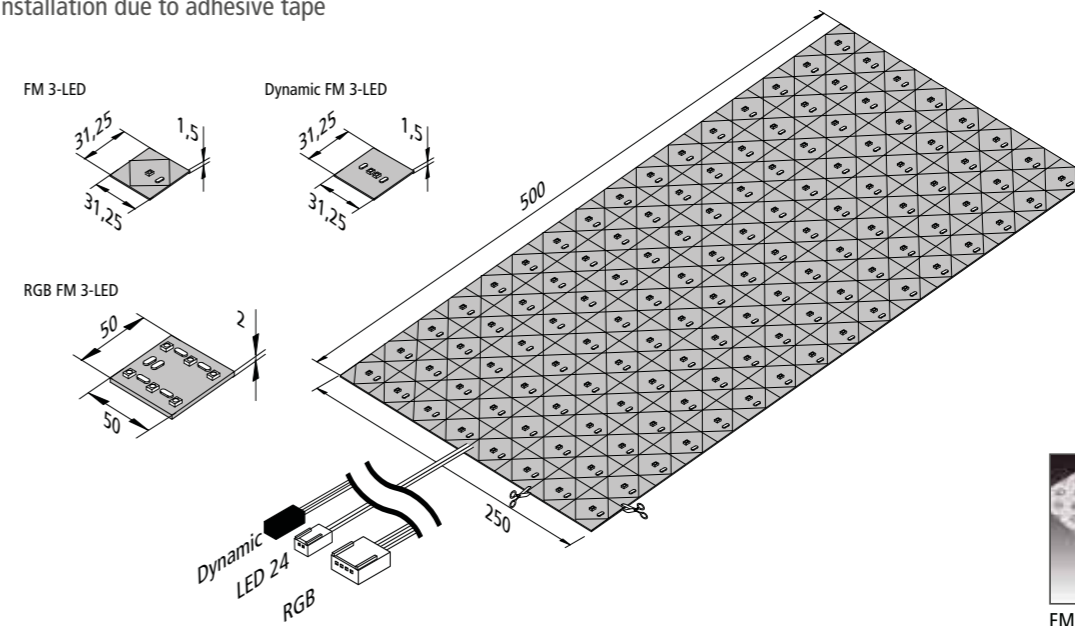






Illustration	Article No.	Description	Features	Weight approx.
	610 015 821 03	FM 3 Basic-LED 16W nw (128 LED)	<ul style="list-style-type: none"> • colour appearance nw (neutral white) approx. 4000K • supply cable 2,5m with LED 24 plug 	140 g
	610 015 812 03	FM 3-LED 32W nw (128 LED)		140 g
	610 015 830 01	Dynamic FM 3-LED 16W (2 x 128 LED)	<ul style="list-style-type: none"> • colour appearance adjustable between approx. 2700K and 5000K • supply cable 2,5m with Dynamic plug • Dynamic controllers page 255 	140 g
	610 015 840 01	RGB FM 3-LED 32W (300 LED)	<ul style="list-style-type: none"> • colour appearance RGB • supply cable 2,5m with RGB plug • RGB controllers page 253 	175 g
	215 300 610 01	LED 24 connecting cable 1,0m	<ul style="list-style-type: none"> • up to max. 60W usable • further information on page 250 	9 g
	215 300 625 01	LED 24 connecting cable 2,5m		22 g
	206 040 023 01	Transformer LED 24/ 5W DC 24V	<ul style="list-style-type: none"> • mains cable 2m with Euro plug • 12-way distributor 	160 g
	206 040 011 01	Transformer LED 24/ 15W DC 24V		167 g
	206 040 012 01	Transformer LED 24/ 30W DC 24V		330 g
	206 040 019 01	Transformer LED 24/ 75W DC 24V		460 g
	206 040 030 02	Transformer LED 24/200W DC 24V		611 g

		from page	width x height [mm]	LED distance [mm]	shorten all [mm]	max. length per supply cable [m]	beam angle	lumen per meter	watt per meter
	RGBW Tape 300	43	10 x 2,5	16,7	100	6	120°	530 330	17,6
	RGB Tape 150 RGB Tape 300 RGB Tape 480	45	10 x 2	33,3 16,7 10,6	167 100 62,5	10 5 4	120°	175 350 550	7 12 17
	Dynamic Tape Dynamic Tape S	51 53	10 x 3	8,3	50	5	120°	1470 1300	14,4 15
	Dim-2-Warm Tape	55	10 x 3	8,3	50	5	120°	1170	15
	RGB Tape F Dynamic Tape F Tape F	47 49 63	10 x 10	7	50 62,5 50	5	120°	510 590 870	13 8 8
	Premium Tape 300 Premium Tape 600 Premium Tape 1200	67	10 x 2	16,7 8,3 4,2	100 50 25	10 6 5	120°	332 664 1328	4 8 16
	Tape COB 4 Tape COB 10	57 59	4 x 3 10x 3	planar	50	5	180° 135°	500 1300	5 9,6

		from page	width x height [mm]	LED distance [mm]	shorten all [mm]	max. length per supply cable [m]	beam angle	lumen per meter	watt per meter
	Basic-Tape 2 300 Basic-Tape 2 600 & Meat Basic-Tape 2 1200 Basic-Tape M 1200 Basic-Tape P 1200	69	8 x 2 8 x 2 10 x 2 10 x 2 10 x 2	16,7 8,3 4,2 4,2 4,2	100 50 25 25 25	10 6 5 10 5	120°	412 824 1650 468 2472	4 8 16 4 24
	Eco-Tape 150 Eco-Tape 300 Eco-Tape 600 Eco-Tape 1200	73	8 x 2 8 x 2 8 x 2 10 x 2	33,4 16,7 8,3 4,2	200 100 50 25	10 10 6 5	120°	234 468 936 1870	2 / 4 4 / 8 8 16
	Basic-Tape S 600	75	8 x 3	8,3	50	6	120°	780	8
	Tape FN	65	4 x 8	8,3	50	5	120°	221	9,6
	Basic Side-Tape	77	8 x 2	8,3	50	6	120°	800	8
	Stick 2 Stick F	93 91	10 x 10	8,3	raster 70	2,4 *	65° 150°	600 670	8
	Tape L	61	20 x 10	23,8	167	5	10°	1300	16

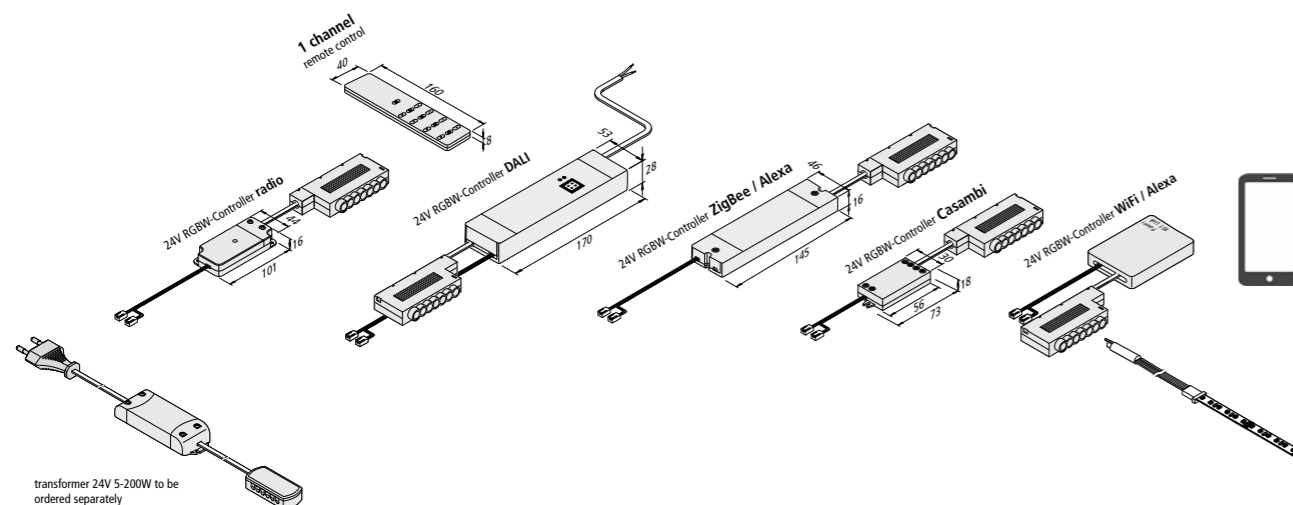
		from page	width x height [mm]	LED distance [mm]	shorten all [mm]	max. length per supply cable [m]	beam angle	lumen per meter	watt per meter
	Power-Stick S	95	10 x 6,4	25	raster 100	2,4 *	120°	935	13,3
	Twin-Stick 2	97	18 x 10	8,3	raster 100	2,4 *	55°	1140	14,7
	Power-Stick T	99	18 x 10	16,7	raster 100	2,4*	85°	1505	20
	Power-Stick TF	101	18 x 13				120°	1700	
	Evo-Stick F2	103	18 x 17,8	16,7	raster 100	3,6	140°	1900	20
	Pipe F	109	Ø 14	planar	4 lengths	-	120°	1100	ca. 22
	Pipe	111		16,7			100°	1530	25
	Dynamic IN-Stick SF	113	24 x 13	planar	4 lengths	-	100°	651	ca. 16
	IN-Stick MF	115	24 x 8	planar				1029	ca. 16
	IN-Stick	116	34 x 13	16,7				1342	25

		from page	width x height [mm]	LED distance [mm]	shorten all [mm]	max. length per supply cable [m]	beam angle	lumen per meter	watt per meter
	Dynamic Top-Stick F	121	40 x 12	planar	4 lengths	-	100°	830	ca. 16
	Top-Stick F	122	40 x 12	planar			110°	1100	ca. 22
	Top-Stick	118	40 x 12	16,7			100°	1302	25
	Top-Stick FMK	225	15 x 8	4,2	4 lengths	-	110°	1135	16
	Top-Stick FMT	227							
	EcoLite F (230V-Leuchten)	125	22 x 33	planar	5 lengths	see table	170°	1100	ca. 12
	EcoLite F HO (230V-Leuchten)	125	2 x 33	planar	5 lengths	see table	170°	1600	ca. 14
	SlimLite® CS LED HE+	127	24 x 40	24	3 lengths	see table	110°	750	8
	SlimLite® CS LED HO+ (230V-Leuchten)			16				1670	17
	Dynamic ModuLite F	221	40 x 15	planar	3 lengths	see table	110°	1583	ca. 17
	ModuLite F (230V-Leuchten)	223			4 lengths			1430	



WiFi / Alexa Controller:

- controllable with every iOS or Android smartphone or tablet (with free of charge Hera-App)
- operating distance up to 50 m
- 20 pre-programmed sequences, 16 free programmable scenes
- easy installation with plug & play components and connecting system
- with an existing WiFi system max. 14 controllers can be used
- with an existing WiFi system max. 14 controllers can be used
- incl. remote function (external control) and timer function (individual runtime and break time)
- **NEW:** with the „Magic Home Pro“ app voice control via Alexa oder Google Home



RGBW TAPE

Self-adhesive flexible LED RGBW strips



Connection: LED transformer DC 24 V
Life: L70/B10 ≥ 40.000 hours
Energy efficiency: luminaire RGB / white: 530 / 330 lm/m (49 lm/W)
Colour rendering: weiß: Ra/CRI > 90

LED RGBW Tape					
	R	G	B	RGB	xw
0,5m	200 lx	508 lx	124 lx	832 lx	728 lx
1,0m	50 lx	127 lx	31 lx	208 lx	182 lx
1,5m	22 lx	56 lx	14 lx	92 lx	81 lx
2,0m	13 lx	32 lx	8 lx	52 lx	46 lx
2,5m	8 lx	20 lx	5 lx	33 lx	29 lx

Special features:

- beside RGB also „real“ xw (extra warm white)
- max. 6 m on one supply cable
- quick and easy installation due to double-sided adhesive tape and clips
- can be shortened at 100 mm (marks between the LEDs)
- controller with remote control and memory function (after cut off from mains the last colour appearance and brightness is recovered)
- all four colours (red, green, blue, extra warm white) can be controlled by a separate button
- 4 light sequences individual recallable
- plenty of remote controls can be activated simultaneously using one remote control;

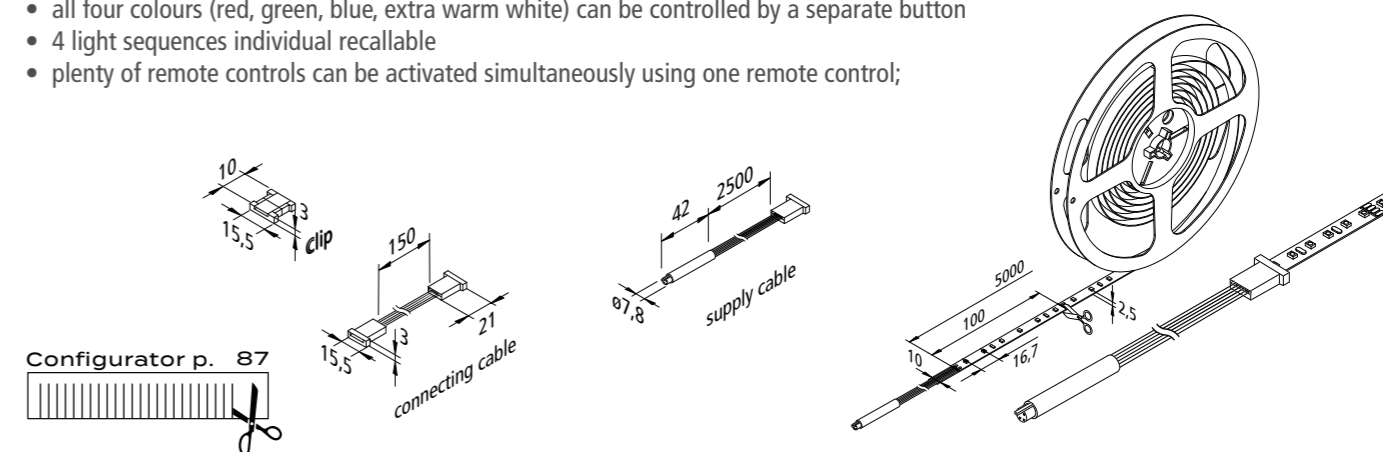


Illustration	Article No.	Description	Features	Weight approx.
	202 026 811 00	LED RGBW Tape 5m 300 LED 88W	• incl. supply cable 2,5m with RGBW plug • without silicone compound	130 g
	215 400 125 01	Supply cable RGBW Tape 2500mm	• connection between controller and RGBW Tape	50 g
	215 400 001 00	Connecting clip RGBW Tape	• connection between two sections of the RGBW Tape	1 g
	215 400 600 01	Connecting cable RGBW Tape 50mm		2 g
	215 400 601 00	Connecting cable RGBW Tape 150mm		2 g
	615 000 505 81	24V RGBW-Controller radio 120W with 7-way distributor	• incl. 1 channel remote control for RGBW, to dim and switch (operating distance max.15m)	240 g
	208 050 030 53	24V RGBW-Controller radio 120W with 7-way distributor	• without remote control (only as extension to transformers with remote control)	180 g
	615 000 505 82	24V RGBW-Controller DALI 120W with 7-way distributor	• dim control cable 0,3m with ferrules • to dim and switch and change the colour of RGBW luminaires	115 g
	615 000 509 31	24V RGBW-Controller WiFi / Alexa 100W with 7-way distributor	• operating distance 50m • less for walls and ceilings	100 g
	615 000 522 31	24V RGBW-Controller ZigBee / Alexa 96W with 7-way distributor	• list of compatible systems see www.hera-online.de	90 g
	615 000 516 31	24V RGBW-Controller CASAMBI 100W with 7-way distributor	• app: www.casambi.com	90 g
Accessories		Profiles from page 79 / LED transformers 24V from page 248		



RGB TAPE

Self-adhesive flexible LED RGB strips



Connection: LED transformer DC 24 V
Life: L70/B10 ≥ 40.000 hours
Energy efficiency: luminaire white: **175 / 350 / 550 lm/m** (25 / 29 / 32 lm/W)

LED RGB Tape		35W	60W	85W
0,5m	120° Ø 650	340 lx	660 lx	1006 lx
1,0m	Ø 1300	85 lx	165 lx	252 lx
1,5m	Ø 1950	38 lx	73 lx	112
2,0m	Ø 2600	21 lx	41 lx	63
2,5m	Ø 3250	14 lx	26 lx	40

Special features:

- max. 4 / 5 / 10 m (version 480 / 300 / 150 LED) on one supply cable
- quick and easy installation due to double-sided adhesive tape and clips
- can be shortened at 62,5 / 100 / 167 mm (marks between the LEDs)
- RGB controllers (radio + WiFi + DALI) page 139

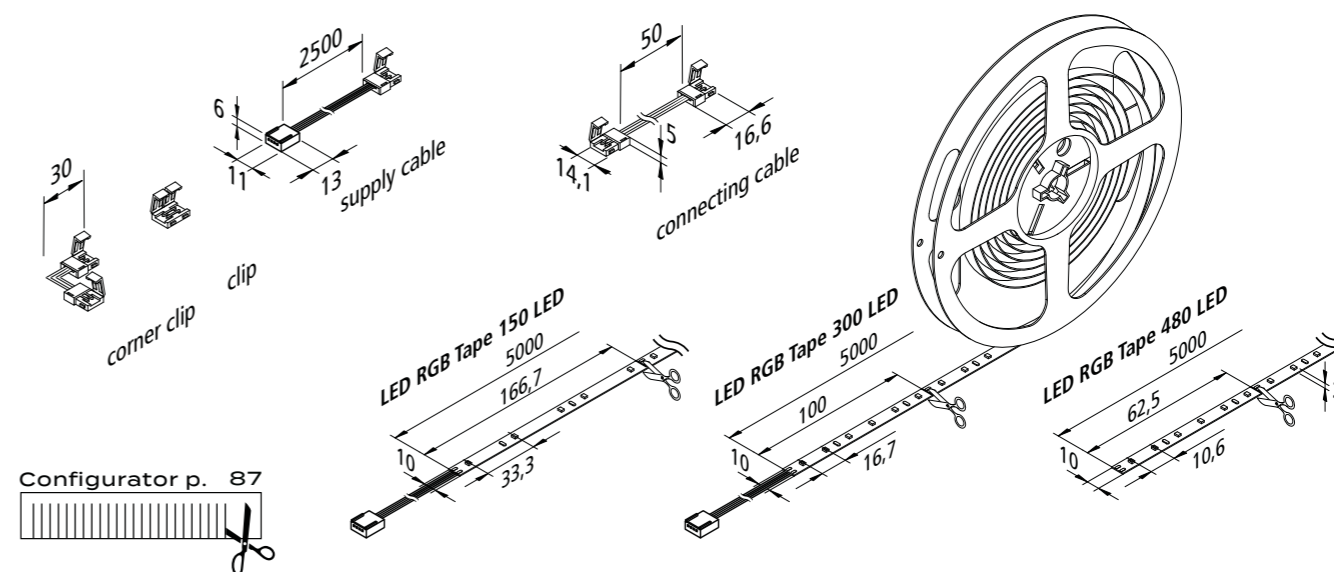


Illustration	Article No.	Description	Features	Weight approx.
	202 026 501 00	LED RGB Tape 5m 150 LED 35W	• incl. supply cable 2,5m with RGB plug • without silicone compound	130 g
	202 026 502 00	LED RGB Tape 5m 300 LED 60W		150 g
	202 026 503 00	LED RGB Tape 5m 480 LED 85W	• not combinable with clip • only for soldering or to be planned via the configurator! • max. 4m on one supply cable	150 g
	215 390 425 01	Supply cable RGB Tape 2500mm	• connection between controller and RGB Tape	40 g
	215 390 002 00	Corner clip RGB Tape	• connection between two sections of the RGB Tape	1 g
	215 390 001 00	Connecting clip RGB Tape		1 g
	215 390 600 01	Connecting cable RGB Tape 50mm		2 g
	215 390 601 01	Connecting cable RGB Tape 1000mm		2 g
	615 000 505 44	24V RGB-Controller radio 75W with 1 channel remote control black	• as a necessary accessory • for RGB, dim and switch • with 4-way distributor • further RGB controllers (e. g. WiFi + DALI) page 253	130 g
	615 000 505 41	24V RGB-Controller radio 75W with surface mounted remote control stainless steel look		105 g
	208 050 030 22	24V RGB-Controller radio 75W without remote control (only as extension)		65 g
	215 080 607 05	LED RGB 4-way distributor	• cable 100mm with RGB plug • for 3 additional supply cables	16 g
Accessories	Profiles from page 79 / LED transformers 24V from page 248 / DALI and WiFi controller page 253			



RGB TAPE F

Self-adhesive flexible LED RGB strips with homogeneous planar light



Connection: LED transformer DC 24 V
Life: L70/B10 ≥ 50.000 hours
Energy efficiency: luminaire white: **510 lm/m** (41 lm/W)

LED RGB Tape F		RGB
0,5m	Ø 650	408 lx
1,0m	Ø 1300	102 lx
1,5m	Ø 1950	45 lx
2,0m	Ø 2600	26 lx
2,5m	Ø 3250	16 lx

Special features:

- max. 5 m per supply cable
- quick and easy installation due to double-sided adhesive tape
- tapes can be shortened at 50 mm intervals
- afterwards the tapes cannot be reconnected
- minimum bending radius 50mm
- with IP54 suitable for applications requiring higher ingress protection (general humidity, bathroom, kitchen, shops)
- planar light (no visible luminous spots)

Configurator p. 87

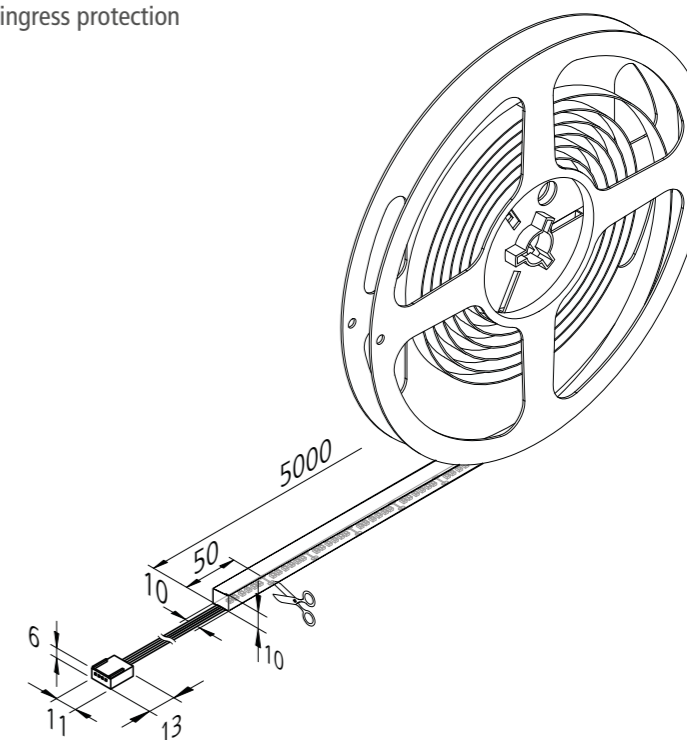
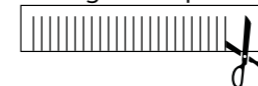


Illustration	Article No.	Description	Features	Weight approx.
	202 029 201 01	LED RGB Tape F 5m 600 LED 65W	<ul style="list-style-type: none"> • incl. supply cable 2,5m with RGB plug • with PU compound (IP 54) 	780 g
	615 000 505 44	24V RGB-Controller radio 75W with 1 channel remote control black	<ul style="list-style-type: none"> • as a necessary accessory • for RGB, dim and switch • with 4-way distributor • further RGB controllers (e. g. WiFi + DALI) page 253 	130 g
	615 000 505 41	24V RGB-Controller radio 75W with surface mounted remote control stainless steel look		105 g
	208 050 030 22	24V RGB-Controller radio 75W without remote control (only as extension)		65 g
	215 080 607 05	LED RGB 4-way distributor	<ul style="list-style-type: none"> • cable 100mm with RGB plug • for 3 additional supply cables 	16 g
	Accessories	LED transformer 24V from page 248 / DALI and WiFi controller page 253		



DYNAMIC TAPE F

Self-adhesive flexible LED strips with adjustable colour appearance and homogeneous planar light

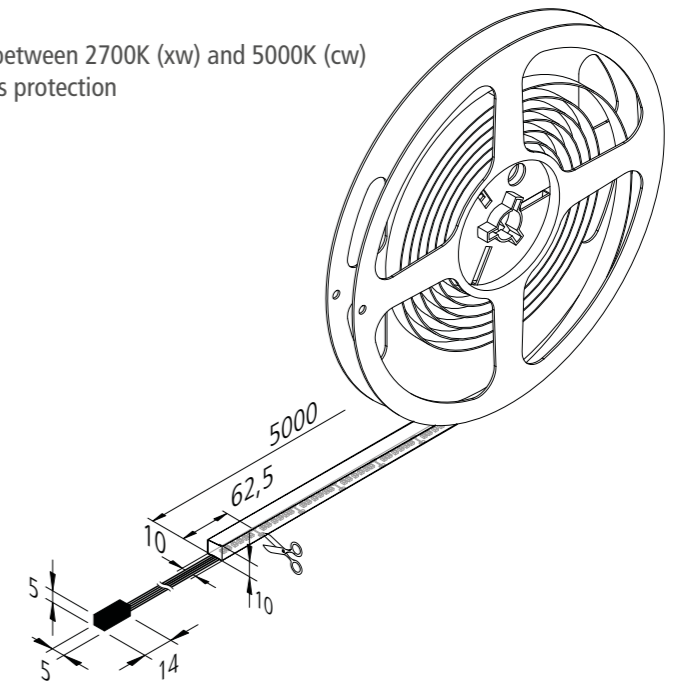


Connection: LED transformer DC 24 V
Life: L90/B10 ≥ 50.000 hours
Energy efficiency: LED: 129 lm/W; luminaire: **590 lm/m** (74 lm/W)
Colour rendering: Ra/CRI > 90

Dynamic LED Tape F		xw	cw
0,5m	Ø 650	496 lx	548 lx
1,0m	Ø 1300	124 lx	137 lx
1,5m	Ø 1950	55 lx	61 lx
2,0m	Ø 2600	31 lx	34 lx
2,5m	Ø 3250	20 lx	22 lx

Special features:

- max. 5 m per supply cable
- quick and easy installation due to double-sided adhesive tape
- Tapes can be shortened at 62,5 mm intervals
- afterwards the tapes cannot be reconnected
- minimum bending radius 50 mm; light colour adjustable between 2700K (xw) and 5000K (cw)
- with IP54 suitable for applications requiring higher ingress protection (general humidity, bathroom, kitchen, shops)
- homogenous planar light (no visible luminous spots)



Configurator p. 87



Illustration	Article No.	Description	Features	Weight approx.
	202 029 501 01	Dynamic LED Tape F 5m 2x560 LED 40W	<ul style="list-style-type: none"> • colour appearance adjustable between appr. 2700K and 5000K • incl. supply cable 2,5m • with PU compound (IP 54) 	750 g
	615 000 505 32	24V Dynamic-Controller radio 75W incl. 4 channel remote control black	<ul style="list-style-type: none"> • as a necessary accessory • colour change, dim and switch • 4-way distributor • further Dynamic-controllers (e. g. WiFi + DALI) page 255 	130 g
	615 000 505 31	24V Dynamic-Controller radio 75W incl. surface mounted remote control stainless steel look		105 g
	615 000 505 34	24V Dynamic-Controller radio 75W incl. recessed remote control stainless steel look		80 g
	215 350 610 01	Connecting cable Dynamic 1m	<ul style="list-style-type: none"> • connection between distributor and luminaire 	16 g
	215 350 625 01	Connecting cable Dynamic 2,5m		40 g
	215 080 607 14	Dynamic 4-way distributor	<ul style="list-style-type: none"> • cable 100mm with Dynamic plug • for 3 additional supply cables 	16 g
Accessories		LED transformers 24V from page 248 / DALI and WiFi controller page 255		



DYNAMIC TAPE

Self-adhesive flexible LED strips with adjustable colour appearance

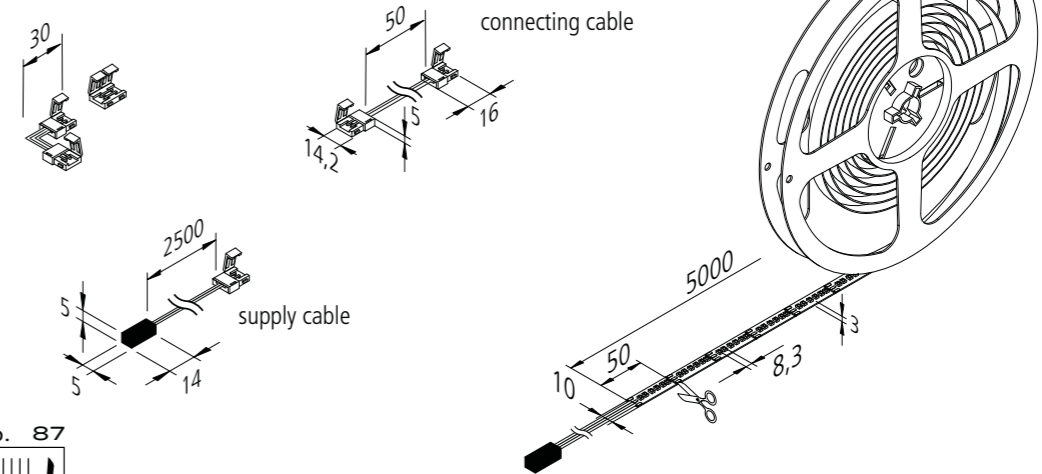


Connection: LED transformer DC 24 V
Life: L70/B10 ≥ 50.000 hours
Energy efficiency: LED: 129 lm/W; luminaire: **1470 lm/m** (100 lm/W)
Colour rendering: Ra/CRI > 83

Dynamic LED Tape				
		xw	nw	cw
0,5m	Ø 650	2672 lx	2848 lx	3008 lx
1,0m	Ø 1300	668 lx	712 lx	752 lx
1,5m	Ø 1950	297 lx	316 lx	334 lx
2,0m	Ø 2600	167 lx	178 lx	188 lx
2,5m	Ø 3250	107 lx	114 lx	120 lx

Special features:

- max. 5 m on one supply cable
- quick and easy installation due to double-sided adhesive tape
- tapes can be shortened at 50 mm intervals (marking underneath the adhesive foil)
- colour appearance between 2700K (xw) and 5000K (cw) adjustable



Configurator p. 87

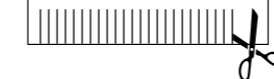
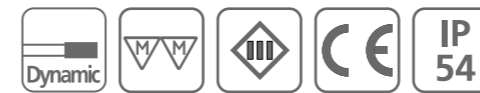


Illustration	Article No.	Description	Features	Weight approx.
	202 026 013 01	Dynamic LED Tape 5m 2x600 LED 72W	<ul style="list-style-type: none"> • colour appearance adjustable between appr. 2700K and 5000K • incl. supply cable 2,5m with Dynamic plug 	120 g
	215 350 125 01	Supply cable Dynamic Tape 2,5m	<ul style="list-style-type: none"> • to snatch with clip 	35 g
	215 350 002 01	Corner clip Dynamic Tape	<ul style="list-style-type: none"> • connection between two sections of the Tape 	1 g
	215 350 001 01	Connecting clip Dynamic Tape		1 g
	215 350 600 01	Connecting cable Dynamic Tape 50mm		2 g
	615 000 505 32	24V Dynamic-Controller radio 75W incl. 4 channel remote control black	<ul style="list-style-type: none"> • as a necessary accessory • colour change, dim and switch • 4-way distributor • further Dynamic-controllers (e. g. WiFi + DALI) page 255 	130 g
	615 000 505 31	24V Dynamic-Controller radio 75W incl. surface mounted remote control stainless steel look		105 g
	615 000 505 34	24V Dynamic-Controller radio 75W incl. recessed remote control stainless steel look		80 g
	215 350 610 01	Connecting cable Dynamic 1m	<ul style="list-style-type: none"> • connection between distributor and luminaire 	16 g
	215 350 625 01	Connecting cable Dynamic 2,5m		40 g
	215 080 607 14	Dynamic 4-way distributor	<ul style="list-style-type: none"> • cable 100mm with Dynamic plug • for 3 additional supply cables 	16 g
Accessories		Profiles from page 79 / LED transformers 24V from page 248 / DALI and WiFi controller page 255		



DYNAMIC TAPE S

Self-adhesive flexible LED strips with adjustable colour appearance and silicone compound



Connection: LED transformer DC 24 V
Life: L90/B10 ≥ 50.000 hours
Energy efficiency: LED: 130 lm/W; luminaire: **1300 lm/m** (87 lm/W)
Colour rendering: Ra/CRI > 92

Dynamic LED Tape S		xw	cw
0,5m	Ø 650	2100 lx	2300 lx
1,0m	Ø 1300	525 lx	575 lx
1,5m	Ø 1950	233 lx	256 lx
2,0m	Ø 2600	131 lx	144 lx
2,5m	Ø 3250	84 lx	92 lx

Special features:

- max. 5 m per supply cable
- quick and easy installation due to double-sided adhesive tape
- tapes can be shortened at 50mm intervals (marking between the LEDs)
- colour appearance adjustable between 2700K (xw) and 5000K (cw)
- with IP54 suitable for applications requiring higher ingress protection (general humidity, bathroom, kitchen, shops). The silicone compound assures an additional mechanical protection e.g. for regular cleaning works.

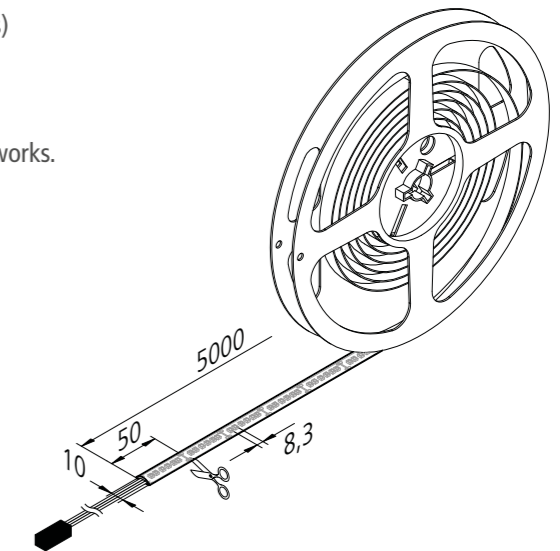
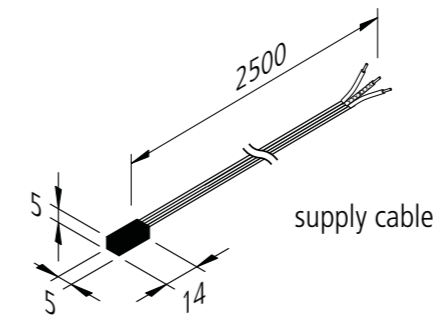
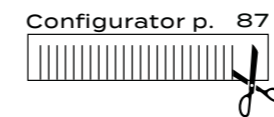


Illustration	Article No.	Description	Features	Weight approx.
	202 029 013 01	Dynamic LED Tape S 5m 2x600 LED 75W	<ul style="list-style-type: none"> • colour appearance adjustable between approx. 2700K and 5000K • incl. supply cable 2,5m • with silicone compound (IP 54) 	260 g
	215 340 625 11	Supply cable Dynamic Tape 2,5m	<ul style="list-style-type: none"> • for soldering 	35 g
	615 000 505 32	24V Dynamic-Controller radio 75W incl. 4 channel remote control black	<ul style="list-style-type: none"> • as a necessary accessory • colour change, dim and switch • 4-way distributor • further Dynamic-controllers (e. g. WiFi + DALI) page 255 	130 g
	615 000 505 31	24V Dynamic-Controller radio 75W incl. surface mounted remote control stainless steel look		105 g
	615 000 505 34	24V Dynamic-Controller radio 75W incl. recessed remote control stainless steel look		80 g
	215 350 610 01	Connecting cable Dynamic 1m	<ul style="list-style-type: none"> • connection between distributor and luminaire 	16 g
	215 350 625 01	Connecting cable Dynamic 2,5m		40 g
	215 080 607 14	Dynamic 4-way distributor	<ul style="list-style-type: none"> • cable 100mm with Dynamic plug • for 3 additional supply cables 	16 g
	610 595 101 02	Set of 1 Dynamic LED Tape S 1000mm 16,8W + transformer 30W NEW	<ul style="list-style-type: none"> • colour appearance adjustable between approx. 2700K and 5000K • incl. supply cable 2,5m • with silicone compound (IP 54) 	405 g
	610 595 101 07	Set of 1 Dynamic LED Tape S 3000mm 47,8W + transformer 60W NEW		530 g
Accessories		Profiles from page 79 / LED transformers 24V from page 248 / DALI and WiFi controller page 255		



DIM-2-WARM TAPE

Colour appearance gets warmer while dimming

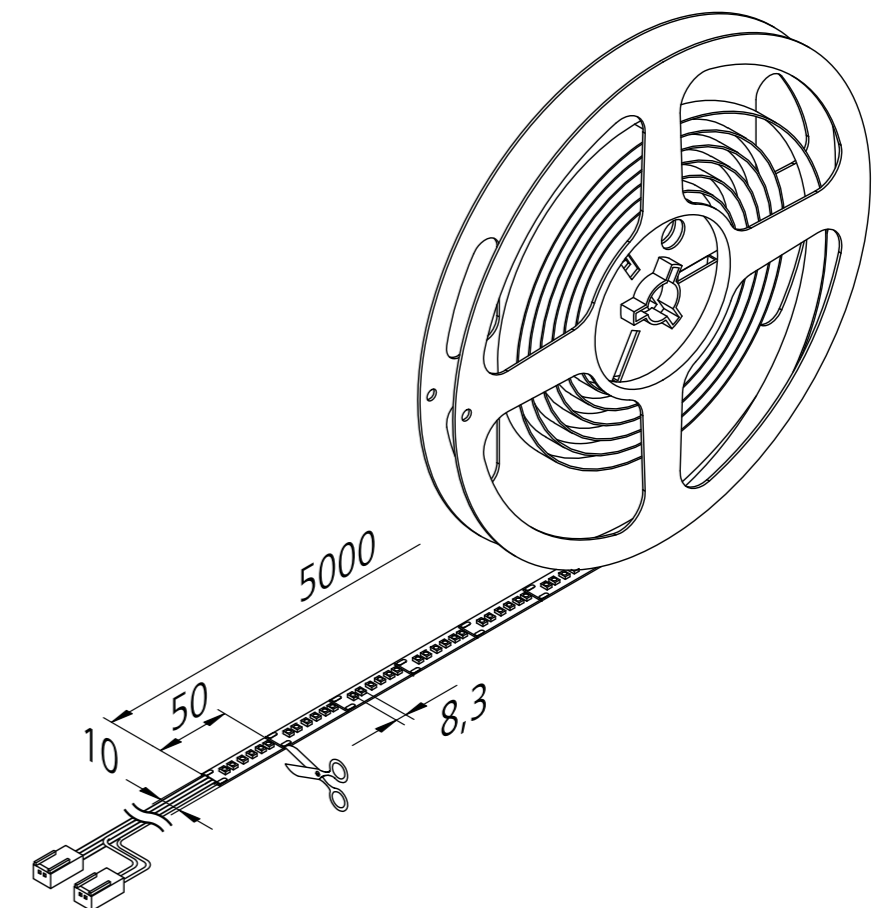


Connection: LED transformer DC 24 V
Life: L70/B10 ≥ 54.000 hours
Energy efficiency: LED: 92 lm/W luminaire: **1170 lm/m** (78 lm/W)
Colour rendering: Ra/CRI > 90

Dim-2-Warm Tape		ww
0,5m	Ø 650	1600 lx
1,0m	Ø 1300	400 lx
1,5m	Ø 1950	178 lx
2,0m	Ø 2600	100 lx
2,5m	Ø 3250	64 lx

Special features:

- max. 5 m per supply cable
- quick and easy installation due to double-sided adhesive tape
- tapes can be shortened at 50 mm intervals (marking between the LEDs)
- colour appearance ww (warm white) approx. 3000K is getting warmer (up to 2000K) while dimming (with all available dim-controllers)



Configurator p. 87



Illustration	Article No.	Description	Features	Weight approx.
	202 030 910 01	Dim-2-Warm Tape 5m 2x600 LED 75W	<ul style="list-style-type: none"> • colour appearance ww (warm white) approx. 3000K is getting warmer (up to 2000K) while dimming (with all available dim-controllers) • incl. supply cable 2,5m with 2x LED 24 plug 	150 g



NEW

TAPE COB-4

Self-adhesive, flexible LED strips without visible luminous spots

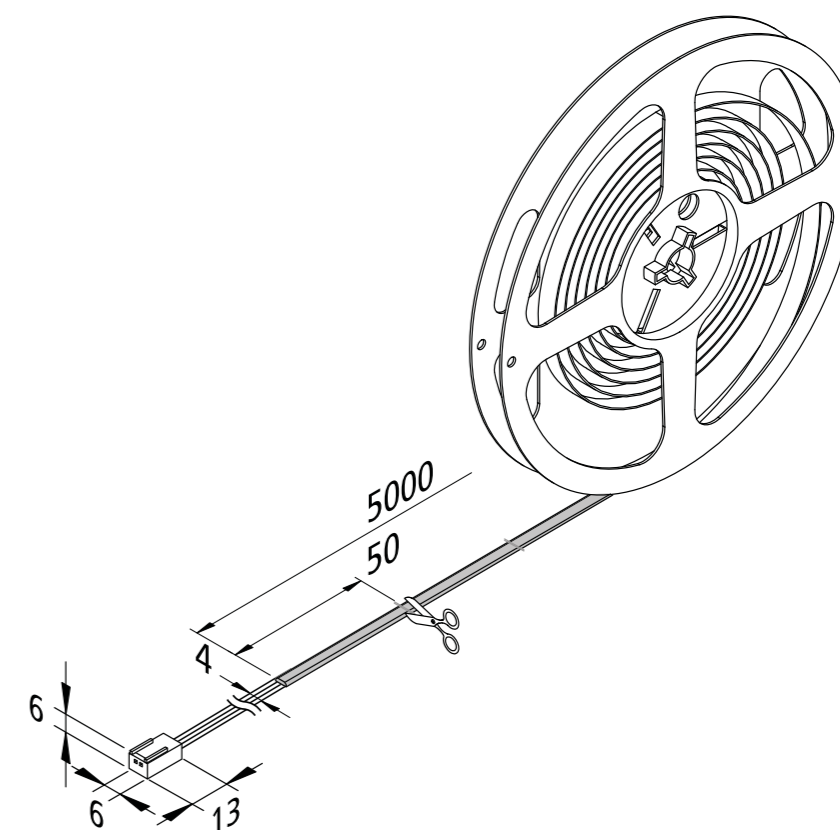


Connection: LED transformer DC 24 V
Life: L70/B10 ≥ 33.000 hours
Energy efficiency: LED: 120 lm/W luminaire: **500 lm/m** (100 lm/W)
Colour rendering: Ra/CRI > 90

LED Tape COB-4				
		xw	ww	nw
0,5m	Ø 690	436 lx	480 lx	536 lx
1,0m	Ø 1380	109 lx	120 lx	134 lx
1,5m	Ø 2070	48 lx	53 lx	60 lx
2,0m	Ø 2760	27 lx	30 lx	34 lx
2,5m	Ø 3450	17 lx	19 lx	21 lx

Special features:

- max. 5 m per supply cable
- quick and easy installation due to double-sided adhesive tape
- tapes can be shortened at 50 mm intervals (marks visible after removing the protective film)
- afterwards the tapes can be reconnected only with soldering
- no interfering electronic components during regular cleaning work



Configurator p. 87

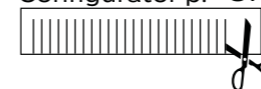


Illustration	Article No.	Description	Features	Weight approx.
	202 032 101 04	LED Tape COB-4 5m 25W xw	<ul style="list-style-type: none"> • Colour appearance xw (extra warm white) approx. 2700K or ww (warm white) approx. 3000K or nw (neutral white) approx. 4000K • incl. supply cable 2,5m with LED 24 plug 	105 g
	202 032 101 02	LED Tape COB-4 5m 25W ww		105 g
	202 032 101 03	LED Tape COB-4 5m 25W nw		105 g
	215 300 725 01	Supply cable 2,5m for soldering (max. 60W)	<ul style="list-style-type: none"> • with tinned ends for soldering • max. 60W 	23 g



NEW

TAPE COB-10

Self-adhesive, flexible LED strips without visible luminous spots

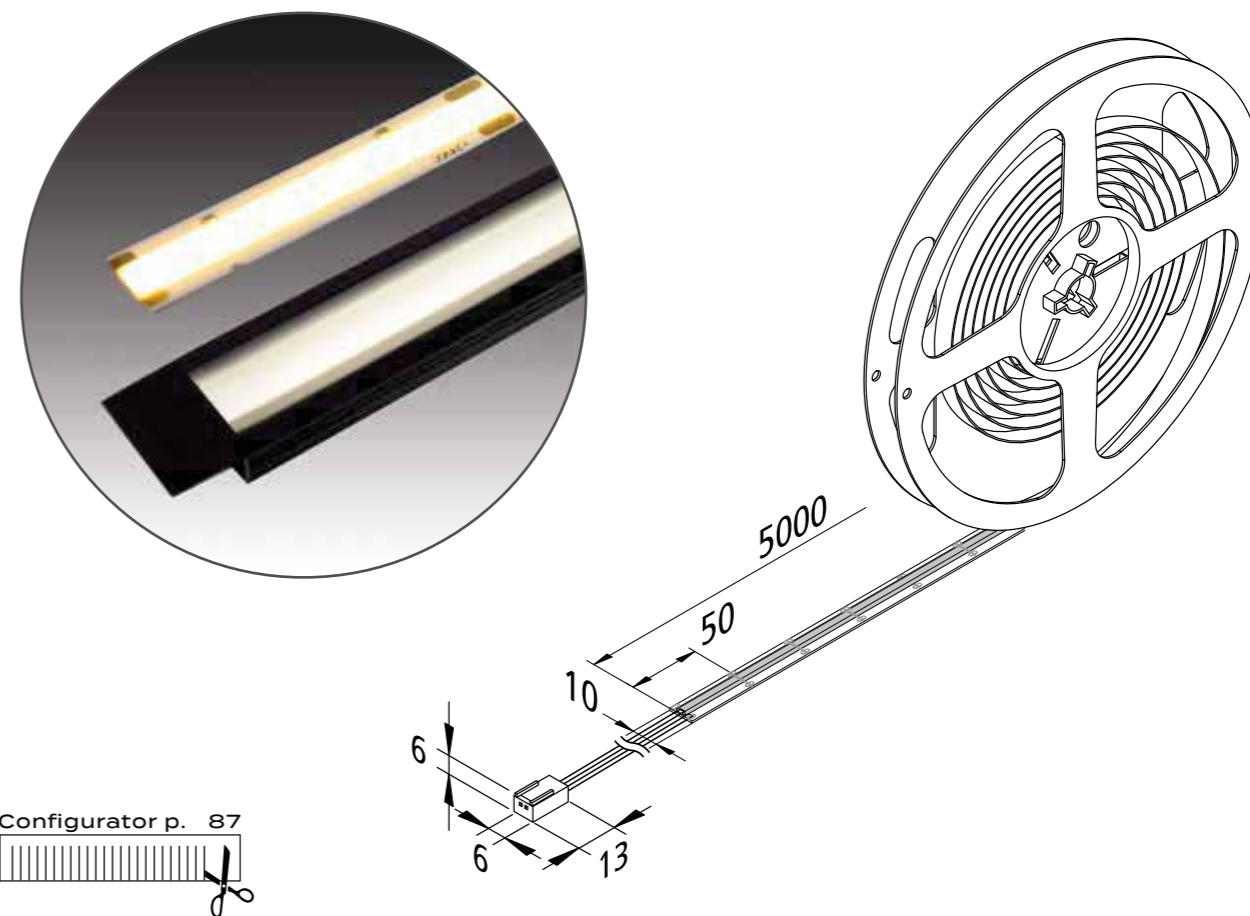


Connection: LED transformer DC 24 V
Life: L70/B10 ≥ 40.000 hours
Energy efficiency: LED: 110 lm/W luminaire: **1300 lm/m** (92 lm/W)
Colour rendering: Ra/CRI > 90

LED Tape COB-10				
		xw	ww	nw
0,5m	Ø 670	1284 lx	1520 lx	1488 lx
1,0m	Ø 1340	321 lx	380 lx	372 lx
1,5m	Ø 2010	143 lx	169 lx	165 lx
2,0m	Ø 2680	80 lx	95 lx	93 lx
2,5m	Ø 3350	51 lx	61 lx	60 lx

Special features:

- max. 6 m per supply cable
- quick and easy installation due to double-sided adhesive tape
- tapes can be shortened at 50 mm intervals (marks between the LEDs)
- afterwards the tapes can be reconnected only with soldering
- no interfering electronic components during regular cleaning work
- differences in brightness might be visible at the end of a 4 m tape



Configurator p. 87



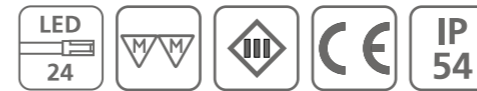
Illustration	Article No.	Description	Features	Weight approx.
	202 031 201 04	LED Tape COB-10 5m 48W xw	<ul style="list-style-type: none"> • colour appearance xw (extra warm white) approx. 2700K or ww (warm white) approx. 3000K or nw (neutral white) approx. 4000K • incl. supply cable 2,5m with LED 24 plug 	175 g
	202 031 201 02	LED Tape COB-10 5m 48W ww		175 g
	202 031 201 03	LED Tape COB-10 5m 48W nw		175 g
	215 300 725 01	Supply cable 2,5m for soldering (max. 60W)	<ul style="list-style-type: none"> • with tinned ends for soldering • max. 60W 	23 g



NEW

TAPE L

Self-adhesive, flexible LED strips with asymmetrical lens on a roll

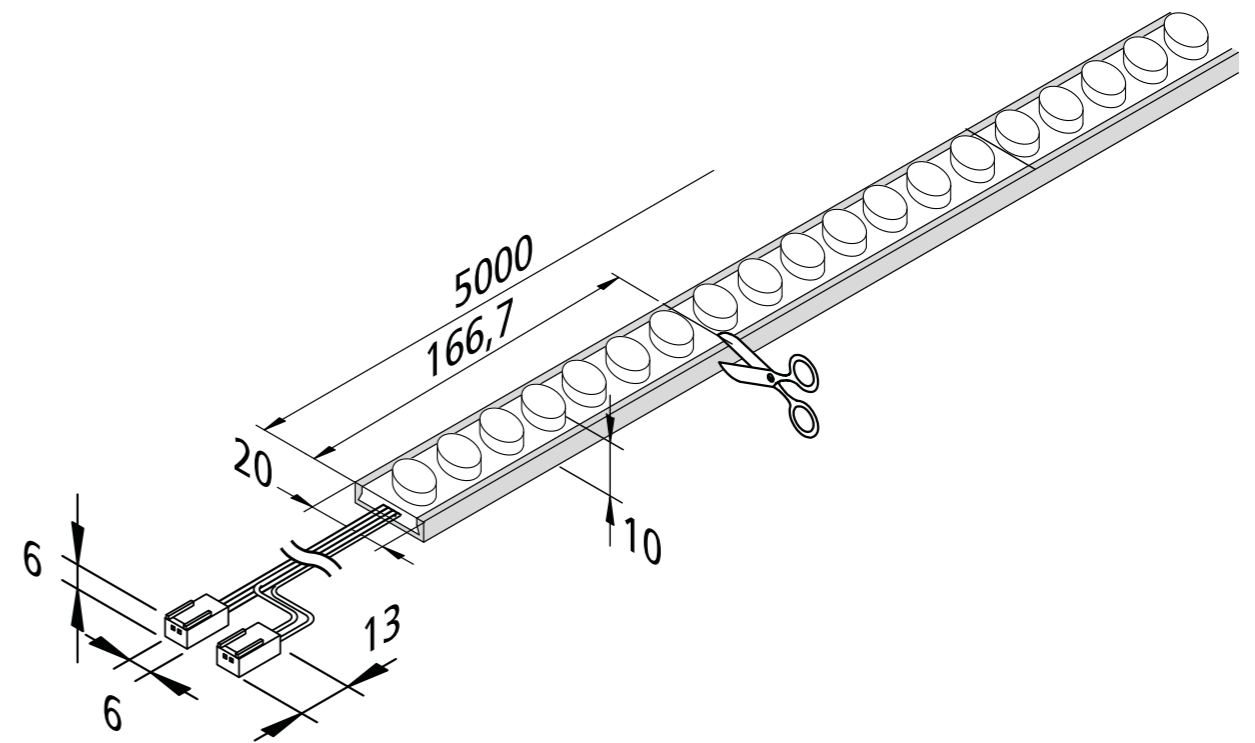


Connection: LED transformer DC 24 V
Life: L70/B10 ≥ 36.000 hours
Energy efficiency: LED: 130 lm/W; luminaire: **1300 lm/m** (80 lm/W)
Colour rendering: Ra/CRI > 90

LED Tape L		
	nw	
0,5m	Ø 100	4840 lx
1,0m	Ø 200	1210 lx
1,5m	Ø 300	538 lx
2,0m	Ø 400	303 lx
2,5m	Ø 500	194 lx

Special features:

- max. 5 m on one supply cable
- quick and easy installation due to double-sided adhesive tape
- tapes can be shortened at 167 mm intervals
- afterwards the tapes can't be reconnected
- minimum bending radius 150mm
- with IP54 suitable for applications requiring higher ingress protection (general humidity, bathroom, kitchen, fresh area, shopfitting)
- narrow beam angle of 10° for the backlighting of banners and graphics



Configurator p. 87

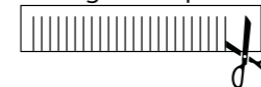


Illustration	Article No.	Description	Features	Weight approx.
	202 032 001 03	LED Tape L 10° 5m 210 LED 80W nw	<ul style="list-style-type: none"> • incl. supply cable 2,5m with LED 24 plug • colour appearance nw (neutral white) approx. 4000K • with silicone compound (IP 54) 	850 g
	215 300 725 01	Supply cable 2,5m for soldering (max. 60W)	<ul style="list-style-type: none"> • with tinned ends for soldering • max. 60W 	23 g



TAPE F

Self-adhesive flexible LED strips with homogeneous planar light

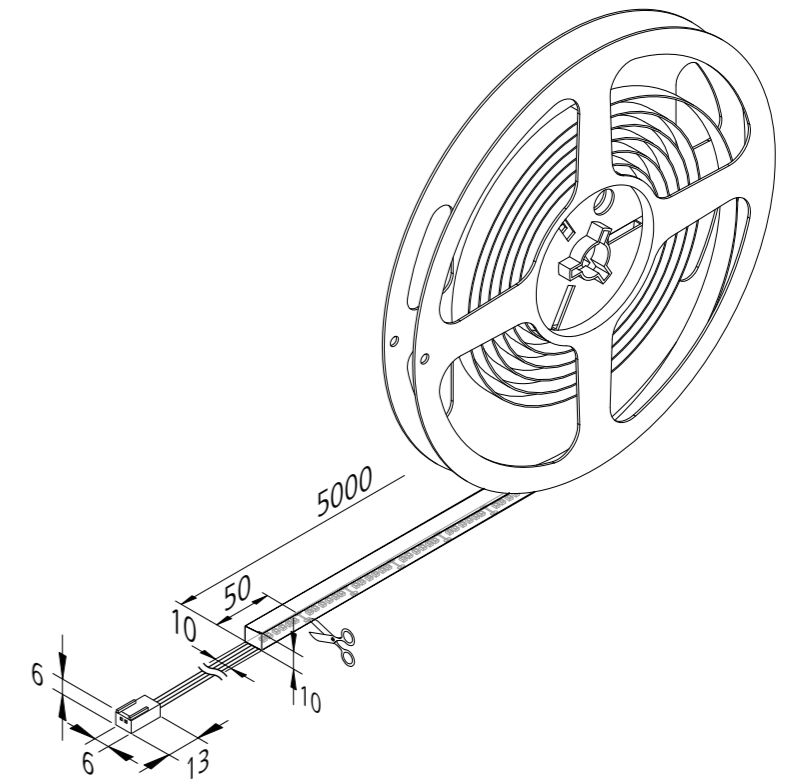


Connection: LED transformer DC 24 V
Life: L70/B10 ≥ 40.000 hours
Energy efficiency: LED: 110 lm/W; luminaire: **870 lm/m** (82 lm/W)
Colour rendering: Ra/CRI > 85

LED Tape F				
		xw	ww	nw
0,5m	Ø 650	540 lx	580 lx	644 lx
1,0m	Ø 1300	135 lx	145 lx	161 lx
1,5m	Ø 1950	60 lx	64 lx	72 lx
2,0m	Ø 2600	34 lx	36 lx	40 lx
2,5m	Ø 3250	22 lx	23 lx	26 lx

Special features:

- max. 5 m per supply cable
- quick and easy installation due to double-sided adhesive tape
- tapes can be shortened at 50 mm intervals
- afterwards the tapes can't be reconnected minimum bending radius 50 mm
- with IP54 suitable for applications requiring higher ingress protection (general humidity, bathroom, kitchen, shops)
- homogeneous planar light (no visible luminous spots)



Configurator p. 87



Illustration	Article No.	Description	Features	Weight approx.
	202 027 401 04	LED Tape F 5m 700 LED 40W xw	<ul style="list-style-type: none"> • colour appearance xw (extra warm white) approx. 2700K or ww (warm white) approx. 3000K or nw (neutral white) approx. 4000K • supply cable 2,5m with LED 24 plug • with PU compound (IP 54) 	780 g
	202 027 401 02	LED Tape F 5m 700 LED 40W ww		780 g
	202 027 401 03	LED Tape F 5m 700 LED 40W nw		780 g
	610 596 101 14	Set of 1 LED Tape F 1000mm 9,0W xw + transformer 15W NEW	<ul style="list-style-type: none"> • colour appearance xw (extra warm white) approx. 2700K or ww (warm white) approx. 3000K or nw (neutral white) approx. 4000K • supply cable 2,5m with LED 24 plug • with PU compound (IP 54) 	362 g
	610 596 101 64	Set of 1 LED Tape F 3000mm 25,9W xw + transformer 30W NEW		865 g
	610 596 101 12	Set of 1 LED Tape F 1000mm 9,0W ww + transformer 15W NEW		362 g
	610 596 101 62	Set of 1 LED Tape F 3000mm 25,9W ww + transformer 30W NEW		865 g
	610 596 101 13	Set of 1 LED Tape F 1000mm 9,0W nw + transformer 15W NEW		362 g
	610 596 101 63	Set of 1 LED Tape F 3000mm 25,9W nw + transformer 30W NEW		865 g
Accessories	LED transformers 24V from page 248 / dim-controller page 256			



Photo: Mr. Timber / Ilona Müller

TAPE FN

LED Tape with homogeneous planar light for milled groove

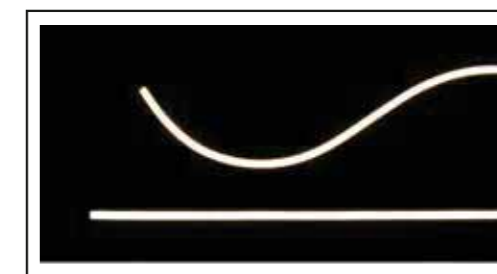
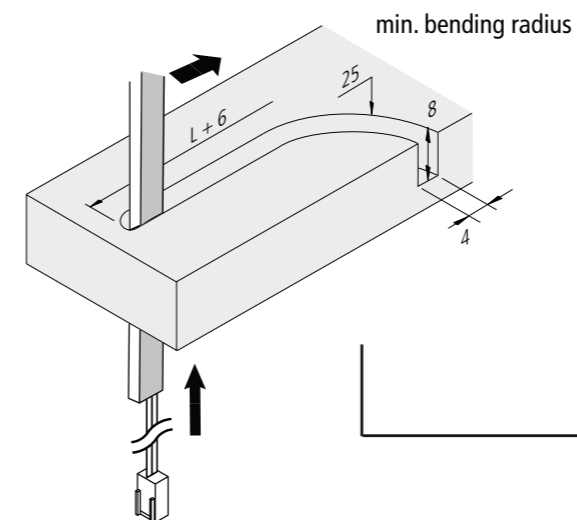


Connection: LED transformer DC 24 V
Life: L70/B10 ≥ 54.000 hours
Energy efficiency: LED: 110 lm/W; luminaire: **221 lm/m** (23 lm/W)
Colour rendering: Ra/CRI > 90

LED Tape FN		ww	nw
0,5m	Ø 650	276 lx	292 lx
1,0m	Ø 1300	69 lx	73 lx
1,5m	Ø 1950	31 lx	32 lx
2,0m	Ø 2600	17 lx	18 lx
2,5m	Ø 3250	11 lx	12 lx

Special features:

- max. 5 m per supply cable
- quick and easy installation in a 4 mm wide and 8 mm deep milled groove
- tapes can be shortened at 50 mm intervals (lateral cutting mark)
- afterwards the tapes can't be reconnected
- minimum bending radius 25 mm
- homogeneous planar light (no visible luminous spots)



Configurator p. 87

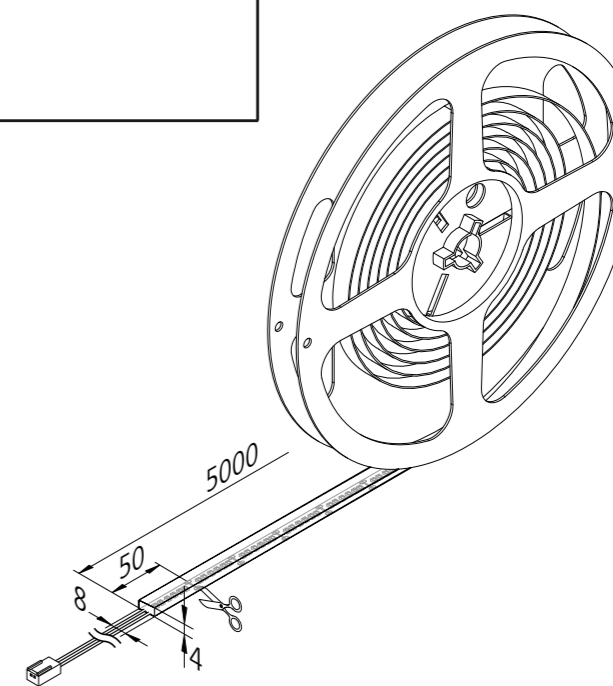
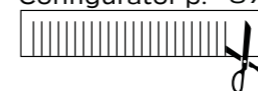
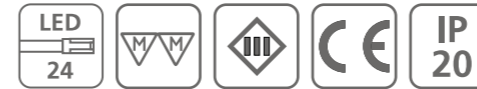


Illustration	Article No.	Description	Features	Weight approx.
	202 030 501 02	LED Tape FN 5m 700 LED 48W ww	<ul style="list-style-type: none"> • colour appearance ww (warm white) approx. 3000K or nw (neutral white) approx. 4000K • incl. supply cable 2,5m with LED 24 plug 	265 g
	202 030 501 03	LED Tape FN 5m 700 LED 48W nw		265 g
Accessories	LED transformers 24V from page 248 / dim-controllers page 256			



PREMIUM-TAPE

Self-adhesive flexible LED strips on roll

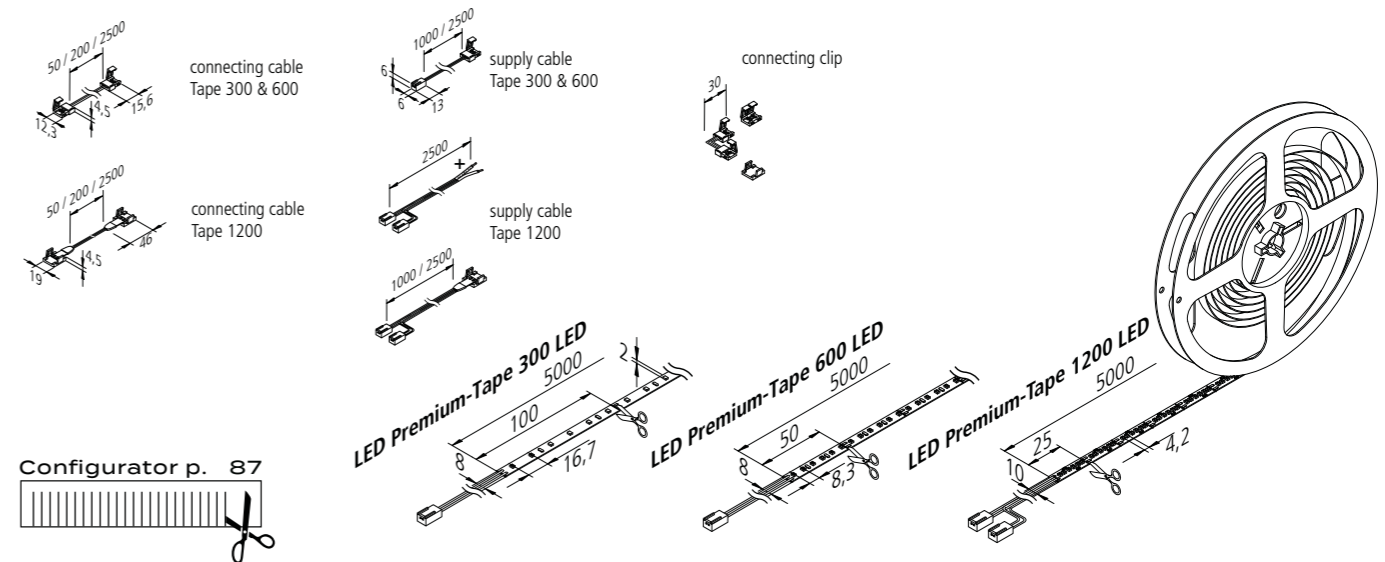


Connection: LED transformer DC 24 V
Life: L70/B10 ≥ 50.000 hours
Energy efficiency: LED: 85 lm/W; luminaire: 332 / 664 / 1328 lm/m (83 lm/W)
Colour rendering: Ra/CRI > 98

LED Premium-Tape		20W	40W	80W
0,5m	120° Ø 650	652 lx	1228 lx	2396 lx
1,0m	Ø 1300	163 lx	307 lx	599 lx
1,5m	Ø 1950	72 lx	136 lx	266 lx
2,0m	Ø 2600	41 lx	77 lx	150 lx
2,5m	Ø 3250	26 lx	49 lx	96 lx

Special features:

- max. 10 / 6 / 5 m (version 20 / 40 / 80 W) on one supply cable, quick and easy installation due to double-sided adhesive tape
- tapes can be shortened at 100 / 50 / 25 mm (version 300 / 600 / 1200 LED) intervals according to the marks
- afterwards the tapes can be reconnected without soldering (tape 1200 80 W up to 3 m max.) with the connecting clips or cables



Configurator p. 87

Illustration	Article No.	Description	Features	Weight approx.	
	202 024 501 02	LED Premium-Tape 5m 300 LED 20W ww	<ul style="list-style-type: none"> • colour appearance ww (warm white) approx. 3000K or nw (neutral white) approx. 4000K • with supply cable 2,5m • without silicone compound 	80 g	
	202 024 501 03	LED Premium-Tape 5m 300 LED 20W nw		80 g	
	202 024 502 02	LED Premium-Tape 5m 600 LED 40W ww		80 g	
	202 024 502 03	LED Premium-Tape 5m 600 LED 40W nw		80 g	
	202 024 503 02	LED Premium-Tape 5m 1200 LED 80W ww		<ul style="list-style-type: none"> • incl. supply cable 2,5m • connecting clip and cable with clip up to 3m max. 	120 g
	202 024 503 03	LED Premium-Tape 5m 1200 LED 80W nw		120 g	
	215 280 410 01	Supply cable LED Tape 1000mm	<ul style="list-style-type: none"> • connection between transformer and LED Tape 300 or 600 • connection between transformer and LED Tape 1200 (20 / 80 / 120W max. 10 / 3 / 1,5m LED Tape) • with tinned ends for soldering to Tape 1200 	9 g	
	215 280 425 01	Supply cable LED Tape 2500mm		23 g	
	215 282 410 01	Supply cable LED Tape 1200 1000mm		20 g	
	215 282 425 01	Supply cable LED Tape 1200 2500mm		40 g	
	215 281 125 01	Supply cable LED Tape 1200 2500mm		40 g	
	215 280 001 01	Corner clip LED Tape	<ul style="list-style-type: none"> • connection between two sections of the LED Tape 300 or 600 • connection between two sections of the LED Tape 1200 (20 / 80 / 120W max. 10 / 3 / 1,5m LED Tape) 	1 g	
	215 280 000 01	Connecting clip LED Tape		1 g	
	215 280 603 01	Connecting cable LED Tape 50mm		3 g	
	215 280 602 01	Connecting cable LED Tape 200mm		6 g	
	215 280 625 01	Connecting cable LED Tape 2500mm		40 g	
	215 282 000 01	Connecting clip LED Tape 1200		1 g	
	215 282 600 01	Connecting cable LED Tape 1200 50mm		3 g	
215 282 602 01	Connecting cable LED Tape 1200 200mm	6 g			
215 282 625 01	Connecting cable LED Tape 1200 2500mm	40 g			
Accessories	Profiles from page 79 / LED transformers 24V from page 248 / dim-controllers page 256				



BASIC-TAPE 2

Self-adhesive flexible LED strips on rolls



Connection: LED transformer DC 24 V
Life: L70/B10 ≥ 50.000 hours
Energy efficiency: LED: 120 lm/W;
 luminaire: **412 / 824 / 1650 / 2472 lm/m** (103 lm/W)
Colour rendering: Ra/CRI > 95 (P/M: > 90)

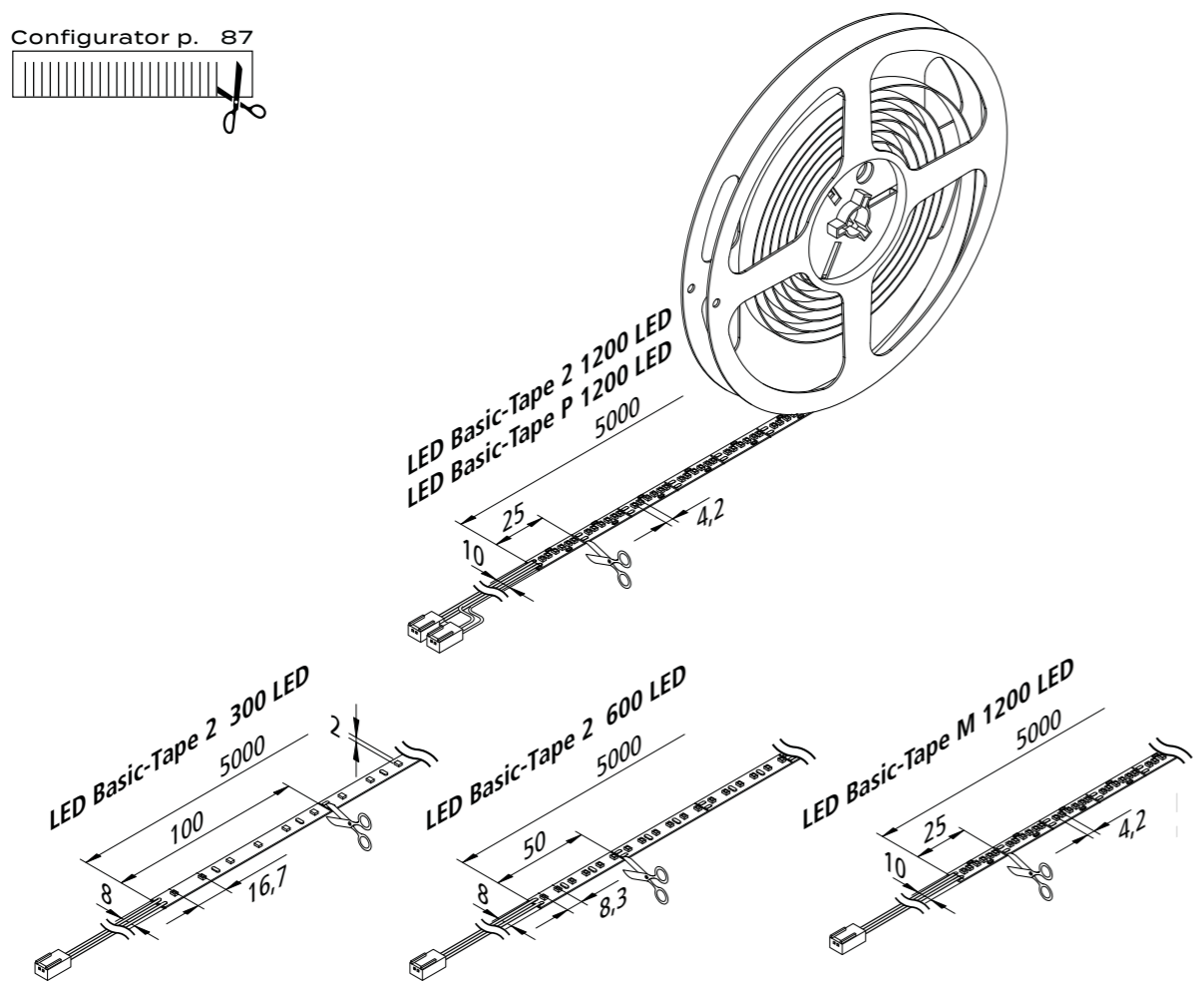
LED Basic Tape 2		20W	40W	80W	120W
0,5m	Ø 650	812 lx	1524 lx	2972 lx	4572 lx
1,0m	Ø 1300	203 lx	381 lx	743 lx	1143 lx
1,5m	Ø 1950	90 lx	169 lx	330 lx	507 lx
2,0m	Ø 2600	51 lx	95 lx	186 lx	285 lx
2,5m	Ø 3250	32 lx	61 lx	119 lx	183 lx

Special features:

- max. 10 / 6 / 5 m (version 20 / 40 / 80+120 W) on one supply cable
- quick and easy installation due to double-sided adhesive tape
- tapes can be shortened at 100 / 50 / 25 mm (version 300 / 600 / 1200 LED) intervals according to the marks
- afterwards the Tapes can be reconnected without soldering (tape 1200 80 / 120 W up to 3 / 1,5 m max.) with the connecting clips or cables
- use Basic-Tape 1200 P only with aluminium profiles (cooling)!

Illustration	Article No.	Description	Features	Weight approx.	
	202 024 801 02	LED Basic-Tape 2 5m 300 LED 20W ww	<ul style="list-style-type: none"> • colour appearance xw (extra warm white) approx. 2700K or ww (warm white) approx. 3000K or nw (neutral white) approx. 4000K or cw (cool white) approx. 5000K or dl (daylight) approx. 6500K • with supply cable 2,5m • without silicone compound 	80 g	
	202 024 801 03	LED Basic-Tape 2 5m 300 LED 20W nw		80 g	
	202 024 802 04	LED Basic-Tape 2 5m 600 LED 40W xw		80 g	
	202 024 802 02	LED Basic-Tape 2 5m 600 LED 40W ww		80 g	
	202 024 802 03	LED Basic-Tape 2 5m 600 LED 40W nw		80 g	
	202 024 802 01	LED Basic-Tape 2 5m 600 LED 40W cw		80 g	
	202 024 802 05	LED Basic-Tape 2 5m 600 LED 40W dl		80 g	
	202 024 804 02	LED Basic-Tape M 5m 1200 LED 20W ww		<ul style="list-style-type: none"> • colour appearance ww (warm white) approx. 3000K or nw (neutral white) approx. 4000K • incl. supply cable 2,5m • connecting clip and cables with clip up to 10m max. 	80 g
	202 024 804 03	LED Basic-Tape M 5m 1200 LED 20W nw		80 g	
	202 024 803 04	LED Basic-Tape 2 5m 1200 LED 80W xw		<ul style="list-style-type: none"> • colour appearance xw (extra warm white) approx. 2700K or ww (warm white) approx. 3000K or nw (neutral white) approx. 4000K • without silicone compound • incl. supply cable 2,5m • connecting clip and cable with clip up to 3m max. 	120 g
202 024 803 02	LED Basic-Tape 2 5m 1200 LED 80W ww	120 g			
202 024 803 03	LED Basic-Tape 2 5m 1200 LED 80W nw	120 g			
202 024 805 02	LED Basic-Tape P 5m 1200 LED 120W ww	<ul style="list-style-type: none"> • colour appearance ww (warm white) approx. 3000K or nw (neutral white) approx. 4000K • other LED light colour on request • without silicone compound incl. supply cable 2,5m connecting clip and cable with clip up to 1,5m max. 	120 g		
202 024 805 03	LED Basic-Tape P 5m 1200 LED 120W nw	120 g			
	610 600 103 24	Set of 1 LED Basic-Tape 2 (600) 1000mm 9,0W xw + transformer 15W NEW	<ul style="list-style-type: none"> • colour appearance xw (extra warm white) approx. 2700K or ww (warm white) approx. 3000K or nw (neutral white) approx. 4000K • with supply cable 2,5m • without silicone compound 	217 g	
	610 600 103 74	Set of 1 LED Basic-Tape 2 (600) 3000mm 25,9W xw + transformer 30W NEW		430 g	
	610 600 104 14	Set of 1 LED Basic-Tape 2 (1200) 1000mm 19,1W xw + transformer 30W NEW		385 g	
	610 600 104 64	Set of 1 LED Basic-Tape 2 (1200) 3000mm 53,6W xw + transformer 60W NEW		490 g	
	610 600 103 22	Set of 1 LED Basic-Tape 2 (600) 1000mm 9,0W ww + transformer 15W NEW		217 g	
	610 600 103 72	Set of 1 LED Basic-Tape 2 (600) 3000mm 25,9W ww + transformer 30W NEW		430 g	
	610 600 104 12	Set of 1 LED Basic-Tape 2 (1200) 1000mm 19,1W ww + transformer 30W NEW		385 g	
	610 600 104 62	Set of 1 LED Basic-Tape 2 (1200) 3000mm 53,6W ww + transformer 60W NEW		490 g	
	610 600 103 23	Set of 1 LED Basic-Tape 2 (600) 1000mm 9,0W nw + transformer 15W NEW		217 g	
	610 600 103 73	Set of 1 LED Basic-Tape 2 (600) 3000mm 25,9W nw + transformer 30W NEW		430 g	
610 600 104 13	Set of 1 LED Basic-Tape 2 (1200) 1000mm 19,1W nw + transformer 30W NEW	385 g			
610 600 104 63	Set of 1 LED Basic-Tape 2 (1200) 3000mm 53,6W nw + transformer 60W NEW	490 g			
Accessories	Connecting cables page 67 / profiles from page 79 / LED transformers 24V from page 248 / dim-controllers page 256				

Configurator p. 87





BASIC-TAPE MEAT

Self-adhesive, flexible LED strips for the counter

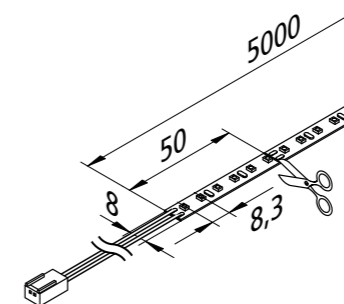
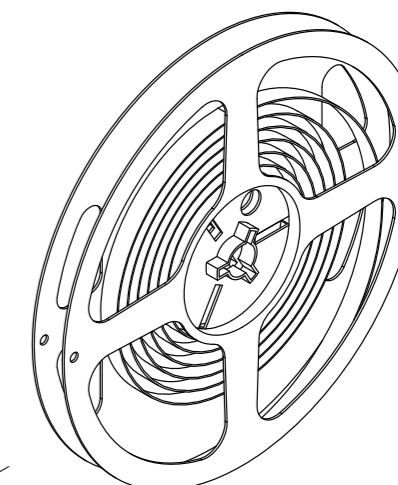


Connection: LED transformer DC 24 V
Life: L70/B10 ≥ 50.000 hours
Energy efficiency: LED: 80 lm/W luminaire: **512 lm/m** (64 lm/W)
Colour rendering: Ra/CRI > 85

LED Basic Tape 2 - Meat R		
0,5m	Ø 650	948 lx
1,0m	Ø 1300	237 lx
1,5m	Ø 1950	105 lx
2,0m	Ø 2600	59 lx
2,5m	Ø 3250	38 lx

Special features:

- max. 6 m on one supply cable
- quick and easy installation due to double-sided adhesive tape
- tapes can be shortened at 50 mm intervals according to the marks
- afterwards the tapes can be reconnected without soldering with the connecting clip or cables
- can be combined with all profiles in the configurator



Configurator p. 87



Illustration	Article No.	Description	Features	Weight approx.
	202 024 802 10	LED Basic-Tape 5m 600 LED 40W Meat R	<ul style="list-style-type: none"> • colour appearance Meat R • with supply cable 2,5m • without silicone compound 	80 g
	215 280 410 01	Supply cable LED Tape 1000mm	<ul style="list-style-type: none"> • connection between transformer and LED Tape 300 or 600 	9 g
	215 280 425 01	Supply cable LED Tape 2500mm		23 g
	215 280 001 01	Corner clip LED Tape	<ul style="list-style-type: none"> • connection between two sections of the LED Tape 300 or 600 	1 g
	215 280 000 01	Connecting clip LED Tape		1 g
	215 280 603 01	Connecting cable LED Tape 50mm		3 g
	215 280 602 01	Connecting cable LED Tape 200mm		6 g
	215 280 625 01	Connecting cable LED Tape 2500mm		40 g
Accessories	profiles from page 79 / LED transformers 24V from page 248 / dim-controllers page 256			



ECO-TAPE

Self-adhesive flexible LED strips on roll



Connection: LED transformer DC 24 V
Life: L70/B10 ≥ 50.000 hours
Energy efficiency: LED: 140 lm/W
 luminaire: **234 / 468 / 936 / 1870 lm/m** (117 lm/W)
Colour rendering: Ra/CRI > 80

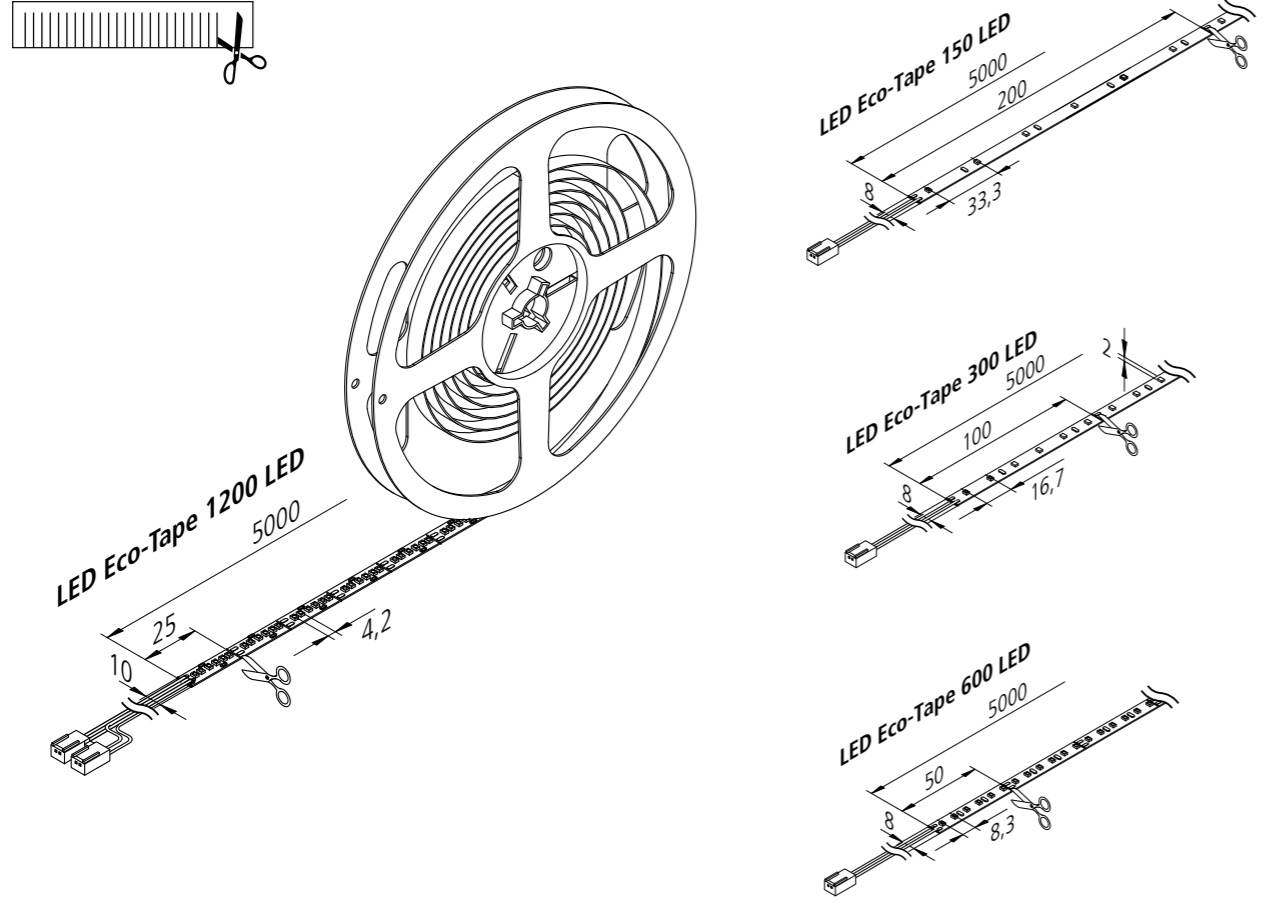
LED Eco-Tape		10W	20W	40W	80W
0,5m	Ø 650	460 lx	904 lx	1672 lx	3228 lx
1,0m	Ø 1300	115 lx	226 lx	418 lx	807 lx
1,5m	Ø 1950	51 lx	100 lx	186 lx	359 lx
2,0m	Ø 2600	29 lx	57 lx	105 lx	202 lx
2,5m	Ø 3250	18 lx	36 lx	67 lx	129 lx

Special features:

- max. 10 / 10 / 6 / 5 m (version 10 / 20 / 40 / 80 W) on one supply cable
- quick and easy installation due to double-sided adhesive tape
- tapes can be shortened at 200 / 100 / 50 / 25 mm (version 150 / 300 / 600 / 1200 LED) intervals according to the marks
- afterwards the tapes can be reconnected without soldering (tape 1200 80 W up to 3 m max.) with the connecting clips or cables

Illustration	Article No.	Description	Features	Weight approx.
	202 029 601 02	LED Eco-Tape 5m 150 LED 10W ww	<ul style="list-style-type: none"> • colour appearance xw (extra warm white) approx. 2700K or ww (warm white) approx. 3000K or nw (neutral white) approx. 4000K or cw (cool white) approx. 5000K or dl (daylight) approx. 6500K • with supply cable 2,5m • without silicone compound 	80 g
	202 029 601 03	LED Eco-Tape 5m 150 LED 10W nw		80 g
	202 029 602 02	LED Eco-Tape 5m 150 LED 20W ww		80 g
	202 029 602 03	LED Eco-Tape 5m 150 LED 20W nw		80 g
	202 029 611 04	LED Eco-Tape 5m 300 LED 20W xw		80 g
	202 029 611 02	LED Eco-Tape 5m 300 LED 20W ww		80 g
	202 029 611 03	LED Eco-Tape 5m 300 LED 20W nw		80 g
	202 029 612 04	LED Eco-Tape 5m 300 LED 40W xw		80 g
	202 029 612 02	LED Eco-Tape 5m 300 LED 40W ww		80 g
	202 029 612 03	LED Eco-Tape 5m 300 LED 40W nw		80 g
	202 029 621 04	LED Eco-Tape 5m 600 LED 40W xw		80 g
	202 029 621 02	LED Eco-Tape 5m 600 LED 40W ww		80 g
202 029 621 03	LED Eco-Tape 5m 600 LED 40W nw	80 g		
202 029 621 01	LED Eco-Tape 5m 600 LED 40W cw	80 g		
202 029 621 05	LED Eco-Tape 5m 600 LED 40W dl	80 g		
	202 029 631 04	LED Eco-Tape 5m 1200 LED 80W xw	<ul style="list-style-type: none"> • colour appearance xw (extra warm white) approx. 2700K or ww (warm white) approx. 3000K or nw (neutral white) approx. 4000K • without silicone compound • incl. supply cable 2,5m (21528112501) • connecting clip and cable with clip up to 3m max. 	120 g
	202 029 631 02	LED Eco-Tape 5m 1200 LED 80W ww		120 g
	202 029 631 03	LED Eco-Tape 5m 1200 LED 80W nw		120 g
	610 592 103 24	Set of 1 LED Eco-Tape (600) 1000mm 9,0W xw + transformer 15W NEW	<ul style="list-style-type: none"> • colour appearance xw (extra warm white) approx. 2700K or ww (warm white) approx. 3000K or nw (neutral white) approx. 4000K • without silicone compound • incl. supply cable 2,5m 	217 g
	610 592 103 74	Set of 1 LED Eco-Tape (600) 3000mm 25,9W xw + transformer 30W NEW		430 g
	610 592 104 14	Set of 1 LED Eco-Tape (1200) 1000mm 19,1W xw + transformer 30W NEW		385 g
	610 592 104 64	Set of 1 LED Eco-Tape (1200) 3000mm 53,6W xw + transformer 60W NEW		490 g
	610 592 103 22	Set of 1 LED Eco-Tape (600) 1000mm 9,0W ww + transformer 15W NEW		217 g
	610 592 103 72	Set of 1 LED Eco-Tape (600) 3000mm 25,9W ww + transformer 30W NEW		430 g
	610 592 104 12	Set of 1 LED Eco-Tape (1200) 1000mm 19,1W ww + transformer 30W NEW		385 g
	610 592 104 62	Set of 1 LED Eco-Tape (1200) 3000mm 53,6W ww + transformer 60W NEW		490 g
	610 592 103 23	Set of 1 LED Eco-Tape (600) 1000mm 9,0W nw + transformer 15W NEW		217 g
	610 592 103 73	Set of 1 LED Eco-Tape (600) 3000mm 25,9W nw + transformer 30W NEW		430 g
	610 592 104 13	Set of 1 LED Eco-Tape (1200) 1000mm 19,1W nw + transformer 30W NEW		385 g
	610 592 104 63	Set of 1 LED Eco-Tape (1200) 3000mm 53,6W nw + transformer 60W NEW		490 g
Accessories	Connecting cables page 67 / profiles from page 79 / LED transformers 24V from page 248 / dim-controllers page 256			

Configurator p. 87



Introduction
Power supply track system
Linear luminaires
Recessed and surface mounted luminaires
Showcase and over cabinet luminaires
Under cabinet luminaires
Accessories
Appendix



BASIC-TAPE S

Self-adhesive flexible LED strips with silicone compound



Connection: LED transformer DC 24 V
Life: L70/B10 ≥ 40.000 hours
Energy efficiency: LED: 129 lm/W luminaire: **780 lm/m** (98 lm/W)
Colour rendering: Ra/CRI > 85

LED Basic-Tape S				
		xw	ww	nw
0,5m	∅ 610	884 lx	952 lx	1024 lx
1,0m	∅ 1220	221 lx	238 lx	256 lx
1,5m	∅ 1830	98 lx	106 lx	114 lx
2,0m	∅ 2440	55 lx	60 lx	64 lx
2,5m	∅ 3050	35 lx	38 lx	41 lx

Special features:

- max. 6 m per supply cable
- quick and easy installation due to double-sided adhesive tape
- Tapes can be shortened at 50 mm intervals according to the marks on the front side
- **after removing the silicone layer from the connection pad the strips can be connected with the clips and connecting cables (now IP20 only)**
- with IP54, suitable for applications requiring higher ingress protection (general humidity, bathroom, kitchen, shops) The silicone compound assures an additional mechanical protection e.g. for frequent cleaning work.

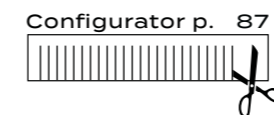
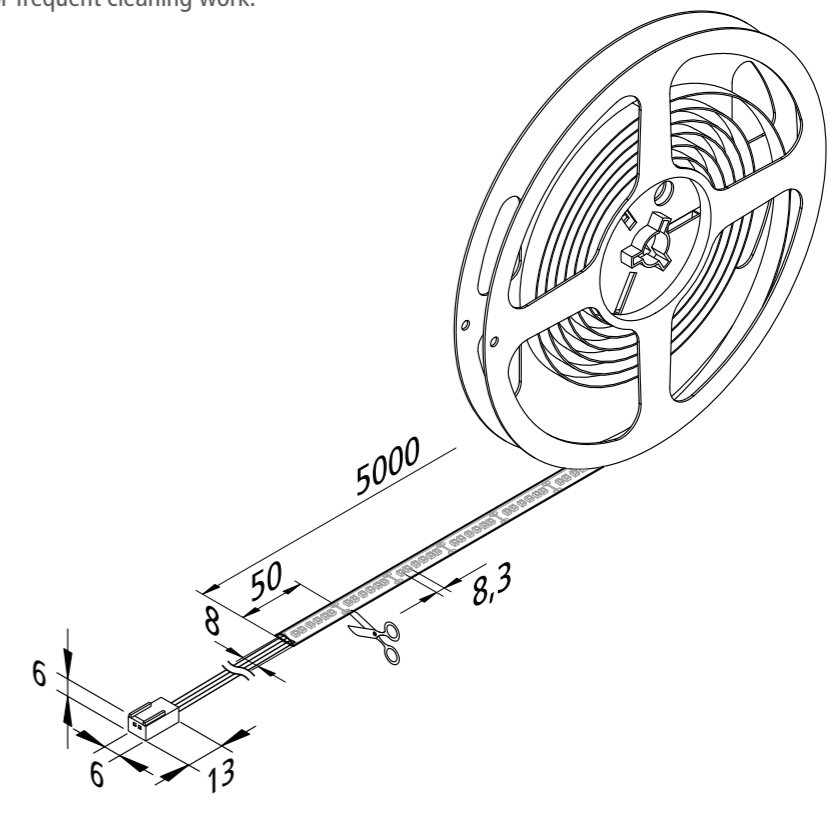
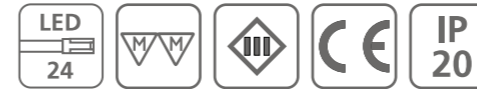


Illustration	Article No.	Description	Features	Weight approx.
	202 026 302 34	LED Basic-Tape S 5m 600 LED 40W xw	<ul style="list-style-type: none"> • incl. supply cable 2,5m with LED 24 plug • colour appearance xw (extra warm white) approx. 2700K or ww (warm white) approx. 3000K or nw (neutral white) approx. 4000K • with silicone compound (IP 54) 	220 g
	202 026 302 32	LED Basic-Tape S 5m 600 LED 40W ww		220 g
	202 026 302 33	LED Basic-Tape S 5m 600 LED 40W nw		220 g
	610 594 101 14	Set of 1 LED Basic-Tape S 1000mm 9,0W xw + transformer 15W NEW	<ul style="list-style-type: none"> • incl. supply cable 2,5m with LED 24 plug • colour appearance xw (extra warm white) approx. 2700K or ww (warm white) approx. 3000K or nw (neutral white) approx. 4000K • with silicone compound (IP 54) 	242 g
	610 594 101 64	Set of 1 LED Basic-Tape S 3000mm 25,9W xw + transformer 30W NEW		485 g
	610 594 101 12	Set of 1 LED Basic-Tape S 1000mm 9,0W ww + transformer 15W NEW		242 g
	610 594 101 62	Set of 1 LED Basic-Tape S 3000mm 25,9W ww + transformer 30W NEW		485 g
	610 594 101 13	Set of 1 LED Basic-Tape S 1000mm 9,0W nw + transformer 15W NEW		242 g
	610 594 101 63	Set of 1 LED Basic-Tape S 3000mm 25,9W nw + transformer 30W NEW		485 g
	Accessories	Connecting cables page 67 / profiles from page 79 / LED transformers 24V from page 248 / dim-controllers page 256		



BASIC SIDE-TAPE

Self-adhesive flexible LED strips with lateral radiation



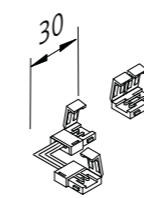
Connection: LED transformer DC 24 V
Life: L70/B10 ≥ 50.000 hours
Energy efficiency: LED 132 lm/W; luminaire: **800 lm/m** (100 lm/W)
Colour rendering: Ra/CRI > 80

LED Basic Side-Tape			
		ww	nw
0,5m	95° Ø 535	1756 lx	1776 lx
1,0m	Ø 1070	439 lx	444 lx
1,5m	Ø 1605	195 lx	197 lx
2,0m	Ø 2140	110 lx	111 lx
2,5m	Ø 2675	70 lx	71 lx

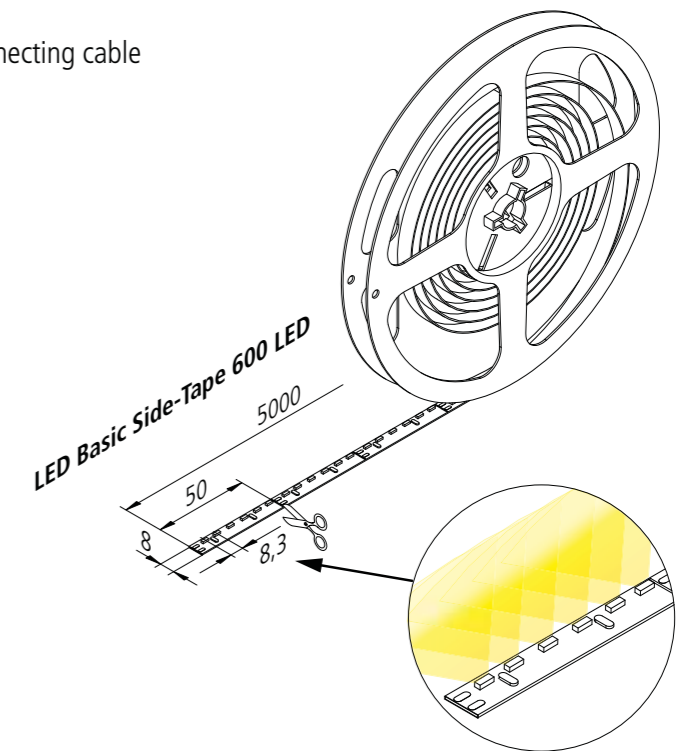
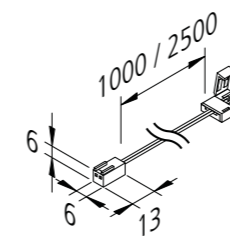
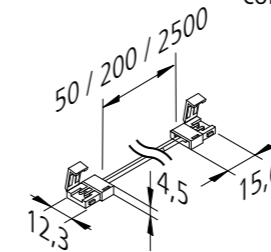
Special features:

- illuminated direction 90° turned
- max. 6 m on one supply cable
- quick and easy installation due to double-sided adhesive tape
- tapes can be shortened at 50 mm intervals according to the marks on the front side
- afterwards the Tapes can be reconnected without soldering with the connecting clips or cables

connecting clip



connecting cable



Configurator p. 87



Illustration	Article No.	Description	Features	Weight approx.
	202 028 002 02	LED Basic Side-Tape 5m 600 LED 40W ww	<ul style="list-style-type: none"> • colour appearance ww (warm white) approx. 3000K or nw (neutral white) approx. 4000K • without supply cable • without silicone compound 	80 g
	202 028 002 03	LED Basic Side-Tape 5m 600 LED 40W nw		80 g
	215 280 410 01	Supply cable LED Tape 1000mm	<ul style="list-style-type: none"> • connection between transformer and LED Tape 300 or 600 	9 g
	215 280 425 01	Supply cable LED Tape 2500mm		23 g
	215 280 001 01	Corner clip LED Tape	<ul style="list-style-type: none"> • connection between two sections of the LED Tape 300 or 600 	1 g
	215 280 000 01	Connecting clip LED Tape		1 g
	215 280 603 01	Connecting cable LED Tape 50mm		3 g
	215 280 602 01	Connecting cable LED Tape 200mm		6 g
	215 280 625 01	Connecting cable LED Tape 2500mm		40 g
Accessories		LED transformers 24V from page 248 / dim-controllers page 256		

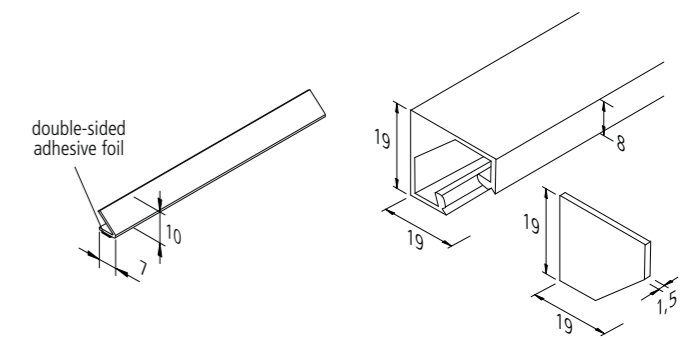
PROFILES

CORNER PROFILE

Corner profile for LED strips

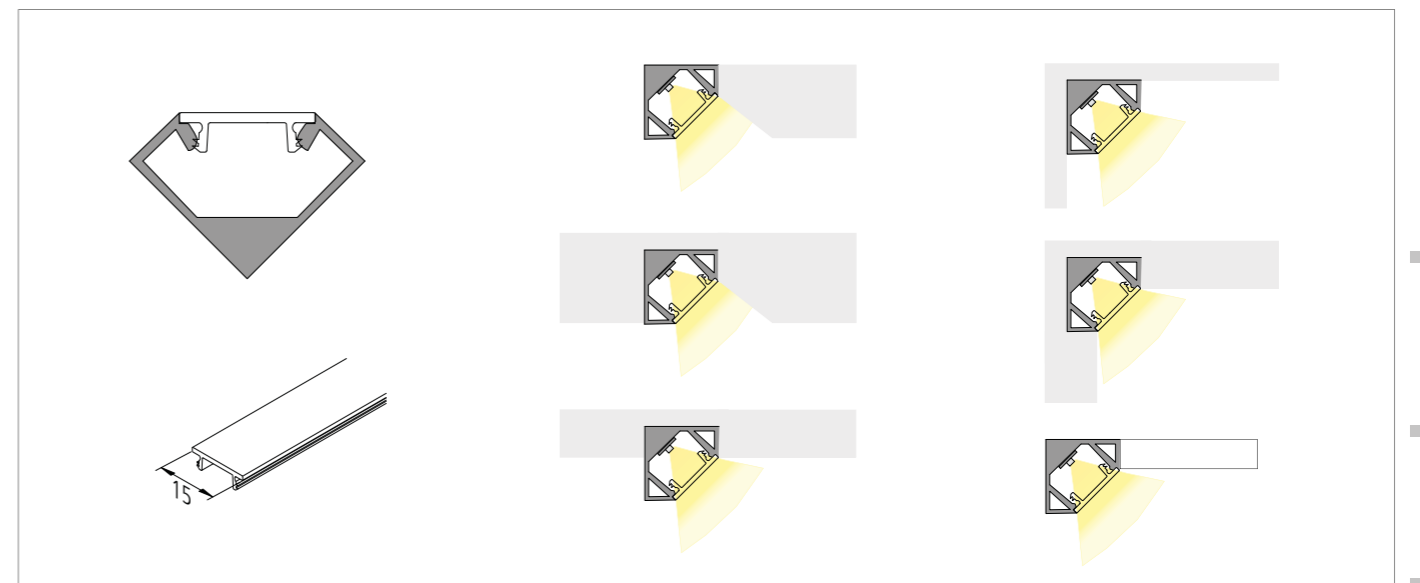


CORNER PROFILE



- for screwing, gluing or with magnetic tape. Also suitable for gluing on a glass bottom

Illustration	Article No.	Description	Features	Weight approx.
	615 000 313 01	LED Corner Profile 10mm 45° 1m	<ul style="list-style-type: none"> • Material aluminium • incl. double-sided adhesive foil 	45 g
	615 000 320 03	LED Corner Profile 19mm 1m	<ul style="list-style-type: none"> • black • for cover profile 15mm 	240 g
	615 000 320 63	LED Corner Profile 19mm 2,95m set of 5		3600 g
	615 000 310 33	Front cover LED Corner Profile 19mm	<ul style="list-style-type: none"> • set of 2 with fastening screws 	3 g
	615 000 320 01	LED Corner Profile 19mm 1m	<ul style="list-style-type: none"> • anodized aluminium • for cover profile 15mm 	240 g
	615 000 320 61	LED Corner Profile 19mm 2,95m set of 5		3600 g
	615 000 310 31	Front cover LED Corner Profile 19mm	<ul style="list-style-type: none"> • set of 2 with fastening screws 	3 g

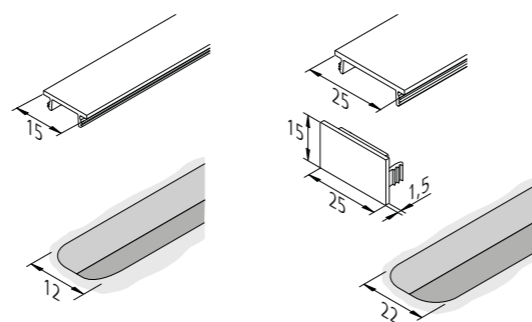


COVER PROFILE

Covering for milling groove or for aluminium profiles



COVER PROFILE



- to cover the 12 or 22mm milling groove or in combination with various aluminium profiles, 6m roll for cutting to length

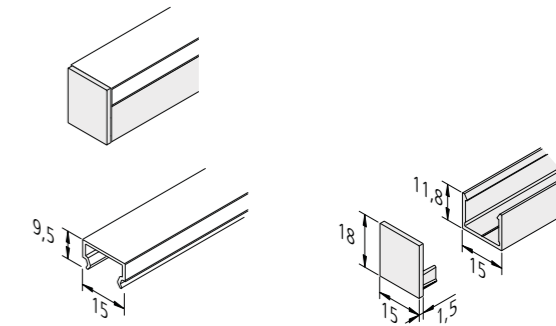
Illustration	Article No.	Description	Features	Weight approx.
	203 012 807 10	LED Cover Profile 15mm 1m	<ul style="list-style-type: none"> material PC slightly black matt 	73 g
	203 012 807 60	LED Cover Profile 15mm 6m roll		440 g
	203 012 806 10	LED Cover Profile 15mm 1m	<ul style="list-style-type: none"> material PC slightly matt 	30 g
	203 012 806 54	LED Cover Profile 15mm 6m roll		165 g
	203 012 805 10	LED Cover Profile 15mm 1m	<ul style="list-style-type: none"> material PC highly matt for a uniform deco light strip without visible LEDs with Tape 600 	30 g
	203 012 805 54	LED Cover Profile 15mm 6m roll		165 g
	203 012 811 10	LED Cover Profile 25mm 1m	<ul style="list-style-type: none"> material PC clear for maximum brightness 	47 g
	203 012 811 54	LED Cover Profile 25mm 6m roll		255 g
	203 012 801 10	LED Cover Profile 25mm 1m	<ul style="list-style-type: none"> material PC slightly matt 	47 g
	203 012 801 54	LED Cover Profile 25mm 6m roll	<ul style="list-style-type: none"> material PC slightly matt 	255 g
	203 012 803 10	LED Cover Profile 25mm 1m	<ul style="list-style-type: none"> material PC highly matt for a uniform deco light strip without visible LEDs with Tape 600 	47 g
	203 012 803 54	LED Cover Profile 25mm 6m roll		255 g
	213 041 080 08	Front cover LED Cover Profile 25mm	<ul style="list-style-type: none"> stainless steel look 	2 g
	615 000 311 01	Double-sided adhesive foil 5m roll	<ul style="list-style-type: none"> 5000 x 10 x 0,1mm (LxBxH) for adhering the Line and Tape to milled wood-based materials 	20 g

COVER PROFILE H

For homogeneous accent lighting



COVER PROFILE H



- cover profile for homogeneous planar light (as of Tape 300) as accent lighting

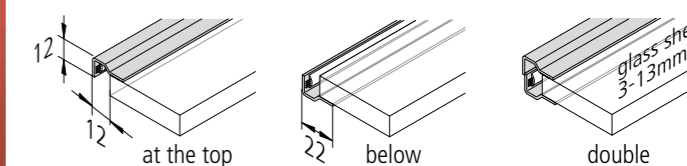
Illustration	Article No.	Description	Features	Weight approx.
	203 012 808 10	LED Cover Profile H 15mm 1m highly matt	<ul style="list-style-type: none"> material: PC highly matt with Tape 300 for a homogeneous and decorative light strip without visible luminous spots 	36 g
	203 012 808 61	LED Cover Profile H 15mm 2,95m set of 5 highly matt		530 g
	615 000 316 13	LED Mounting Profile 15/13mm 1m	<ul style="list-style-type: none"> black for cover profile 15mm 	190 g
	615 000 316 63	LED Mounting Profile 15/13mm 2,95m set of 5		2850 g
	615 000 310 83	Front cover LED Mounting Profile 15/18mm black	<ul style="list-style-type: none"> set of 2 with screws 	2 g
	615 000 316 10	LED Mounting Profile 15/13mm 1m	<ul style="list-style-type: none"> anodized aluminium for cover profile 15mm 	190 g
	615 000 316 61	LED Mounting Profile 15/13mm 2,95m set of 5		2850 g
	615 000 310 81	Front cover LED Cover Profile 15/18mm anodized aluminium	<ul style="list-style-type: none"> set of 2 with screws 	2 g

PROFILE FOR GLASS SHELVES

For mounting LED strips in case of lateral feeder



GLASKANTENPROFIL



- can be glued on one side, up or down the glass pane or double on both sides

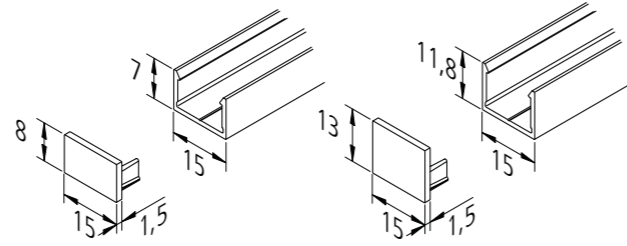
Illustration	Article No.	Description	Features	Weight approx.
	615 000 302 02	LED Profile for glass shelves 560mm	<ul style="list-style-type: none"> anodized aluminium incl. double-sided adhesive foil further lengths on request 	70 g
	615 000 302 06	LED Profile for glass shelves 760mm		95 g
	615 000 302 03	LED Profile for glass shelves 860mm		110 g
	615 000 302 07	LED Profile for glass shelves 960mm		120 g
	615 000 302 04	LED Profile for glass shelves 1160mm		150 g
	615 000 302 51	LED Profile for glass shelves 1950mm set of 10		2440 g

MOUNTING PROFILE

Profile for LED strips



MOUNTING PROFILE



- for screwing, gluing or with magnetic tape

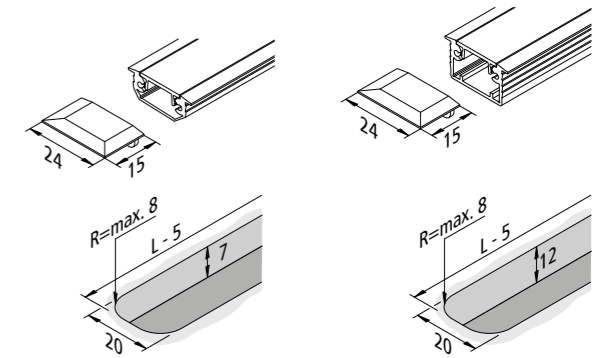
Illustration	Article No.	Description	Features	Weight approx.
	615 000 321 13	LED Mounting Profile 15/8mm 1m	• black • for cover profile 15mm	160 g
	615 000 321 63	LED Mounting Profile 15/8mm 2,95m set of 5		1500 g
	615 000 310 43	Front cover LED Mounting Profile 15/8mm	• set of 2 with screws	2 g
	615 000 321 10	LED Mounting Profile 15/8mm 1m	• anodized aluminium • for cover profile 15mm	100 g
	615 000 321 61	LED Mounting Profile 15/8mm 2,95m set of 5		1500 g
	615 000 310 41	Front cover LED Mounting Profile 15/8mm	• set of 2 with screws	2 g
	615 000 316 13	LED Mounting Profile 15/13mm 1m	• black • for cover profile 15mm	190 g
	615 000 316 63	LED Mounting Profile 15/13mm 2,95m set of 5		2850 g
	615 000 310 23	Front cover LED Mounting Profile 15/13mm	• set of 2 with fastening screws	1 g
	615 000 316 10	LED Mounting Profile 15/13mm 1m	• anodized aluminium • for cover profile 15mm	190 g
	615 000 316 61	LED Mounting Profile 15/13mm 2,95m set of 5		2850 g
	615 000 310 21	Front cover LED Mounting Profile 15/13mm	• set of 2 with fastening screws	3 g
	202 040 117 01	Mounting clip LED Mounting Profile 15/13mm transparent NEW	• set of 2 with screws	1 g
	615 000 305 01	Magnetic tape for Mounting Profile 5m roll	• 5000 x 10 x 1,5mm e.g. for fitting to steel shelves	275 g

MILLED PROFILE 24 MM

Symmetric profile for LED strips



MILLED PROFILE 24MM

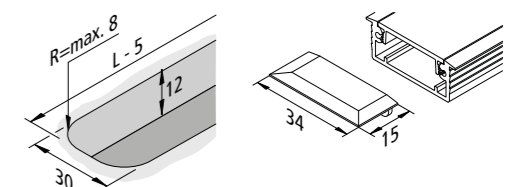


- milled profile for symmetrical illumination

Illustration	Article No.	Description	Features	Weight approx.
	615 000 334 13	LED Milled Profile 24/7mm 1m	• black • for cover profile 15mm	190 g
	615 000 334 63	LED Milled Profile 24/7mm 2,95m set of 5		2850 g
	615 000 314 13	LED Milled Profile 24/12mm 1m		190 g
	615 000 314 63	LED Milled Profile 24/12mm 2,95m set of 5		2850 g
	615 000 310 13	Front cover LED Milled Profile 24mm	• set of 2 with fastening screws	1 g
	615 000 334 10	LED Milled Profile 24/7mm 1m	• anodized aluminium • for cover profile 15mm	190 g
	615 000 334 61	LED Milled Profile 24/7mm 2,95m set of 5		2850 g
	615 000 314 10	LED Milled Profile 24/12mm 1m		190 g
	615 000 314 61	LED Milled Profile 24/12mm 2,95m set of 5		2850 g
	615 000 310 11	Front cover LED Milled Profile 24mm	• set of 2 with fastening screws	1 g
	615 000 314 18	LED Milled Profile 24/12mm 1m	• stainless steel look • for cover profile 15mm	190 g
	615 000 314 68	LED Milled Profile 24/12mm 2,95m set of 5		2850 g
	615 000 310 18	Front cover LED Milled Profile 24mm	• set of 2 with screws	1 g



MILLED PROFILE 34MM



- milled profile for symmetrical illumination

Illustration	Article No.	Description	Features	Weight approx.
	615 000 315 10	LED Milled Profile 34mm 1m	• anodized aluminium • for cover profile 25mm	240 g
	615 000 315 61	LED Milled Profile 34mm 2,95m set of 5		3600 g
	615 000 310 01	Front cover LED Milled Profile 34mm	• set of 2 with screws	3 g

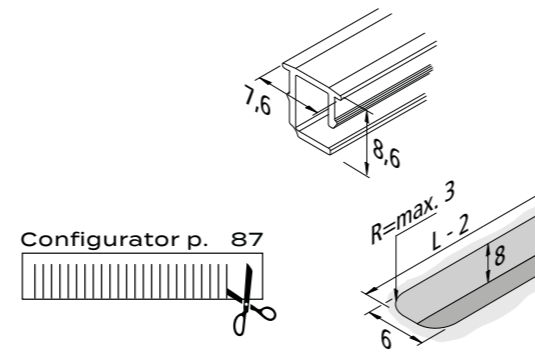
MILLED PROFILE 8 MM

Plastic profile for LED strips

NEW



MILLED PROFILE 8MM



- for 4mm Tapes; can be planned in the configurator to the desired length and with 5mm cuts (as a front cover)

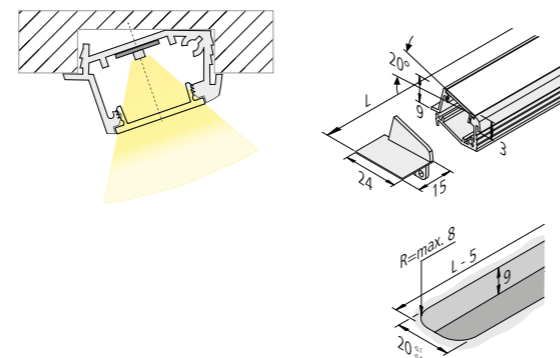
Illustration	Article No.	Description	Features	Weight approx.
	615 000 338 10	LED Milled Profile 8/8mm 1m	<ul style="list-style-type: none"> • material PC highly matt 	39 g
	615 000 338 61	LED Milled Profile 8/8mm 2,95m set of 5		570 g

MILLED PROFILE A 24 MM

Asymmetrical aluminium profile for LED strips



MILLED PROFILE A 24MM



- milled profile for asymmetrical illumination

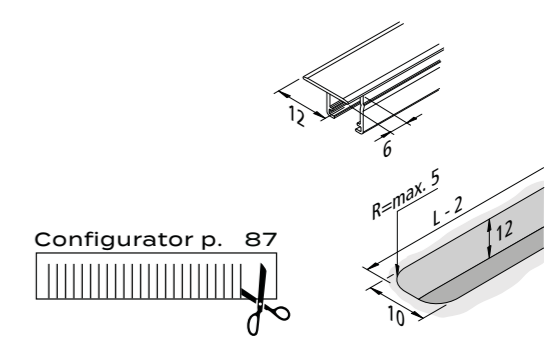
Illustration	Article No.	Description	Features	Weight approx.
	615 000 324 13	LED Milled Profile A 24mm 1m	<ul style="list-style-type: none"> • black • for cover profile 15mm • for reverse asymmetrical illumination 	190 g
	615 000 324 63	LED Milled Profile A 24mm 2,95m set of 5		2850 g
	615 000 310 53	Front cover LED Milled Profile A 24mm	<ul style="list-style-type: none"> • set of 2 with fastening screws 	1 g
	615 000 324 10	LED Milled Profile A 24mm 1m	<ul style="list-style-type: none"> • anodized aluminium • for cover profile 15mm • for reverse asymmetrical illumination 	190 g
	615 000 324 61	LED Milled Profile A 24mm 2,95m set of 5		2850 g
	615 000 310 51	Front cover LED Milled Profile A 24mm	<ul style="list-style-type: none"> • set of 2 with fastening screws 	1 g

MILLED PROFILE 12 MM

Plastic profile for LED strips



MILLED PROFILE 12MM



- for 8mm Tapes; can be planned in the configurator to the desired length and with 6mm cuts (as a front cover)

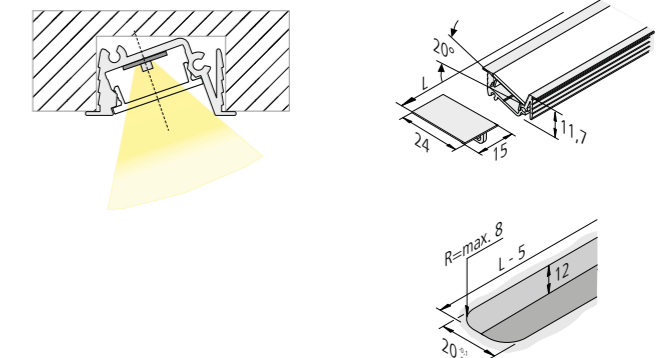
Illustration	Article No.	Description	Features	Weight approx.
	615 000 335 10	LED Milled Profile 12/12mm 1m	<ul style="list-style-type: none"> • material PC highly matt • for a uniform deco light strip without visible LEDs with Tape 600 	39 g
	615 000 335 61	LED Milled Profile 12/12mm 2,95m set of 5		570 g

MILLED PROFILE I 24 MM

Reverse asymmetrical aluminium profile for LED strips



MILLED PROFILE I 24MM



- milled profile for reverse asymmetrical illumination

Illustration	Article No.	Description	Features	Weight approx.
	615 000 332 13	LED Milled Profile I 24mm 1m	<ul style="list-style-type: none"> • black • for cover profile 15mm • for reverse asymmetrical illumination 	190 g
	615 000 332 63	LED Milled Profile I 24mm 2,95m set of 5		2850 g
	615 000 310 63	Front cover LED Milled Profile I 24mm	<ul style="list-style-type: none"> • set of 2 with screws 	1 g
	615 000 332 10	LED Milled Profile I 24mm 1m	<ul style="list-style-type: none"> • anodized aluminium • for cover profile 15mm • for reverse asymmetrical illumination 	190 g
	615 000 332 61	LED Milled Profile I 24mm 2,95m set of 5		2850 g
	615 000 310 61	Front cover LED Milled Profile I 24mm	<ul style="list-style-type: none"> • set of 2 with screws 	1 g
	615 000 332 18	LED Milled Profile I 24mm 1m	<ul style="list-style-type: none"> • stainless steel look • for cover profile 15mm • for reverse asymmetrical illumination 	190 g
	615 000 332 68	LED Milled Profile I 24mm 2,95m set of 5		2850 g
	615 000 310 68	Front cover LED Milled Profile I 24mm	<ul style="list-style-type: none"> • set of 2 with screws 	1 g



1
SELECT
LED-TAPE



2
DETERMINE
LIGHT COLOUR



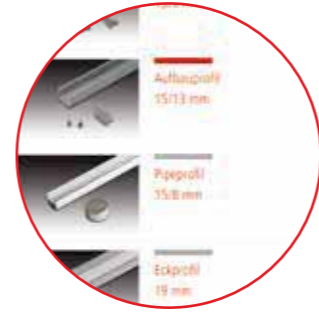
3
DEFINE
PROFILE & LENGTH



4
SPECIFY
TYPE OF LINE



HERA ONLINE-CONFIGURATOR



5
SELECT
PROFILE TYPE



6
SET
COVER PROFILE

... IN 7 STEPS TO THE TAILOR-MADE PRODUCT

With the help of our luminaire configurator, you can quickly and easily plan your individual luminaire online starting from 1 piece per order, which will arrive within 5 to 10 days. First you have to select the desired LED tape and determine the light colour. After that, everything is personalized. You can specify your preferred luminaire and cable length, how many luminaires you would like to have and choose between multiple profiles. Once you have specified everything for your desired luminaire, you can order your luminaire directly afterwards.



7
SELECT
ACCESSORIES



**PLACE
ORDER**



TOP-LINE

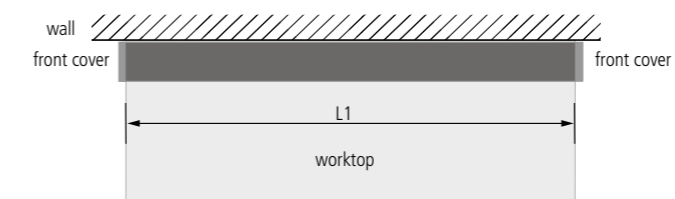
Top mounted luminaire for back panels

IP 20

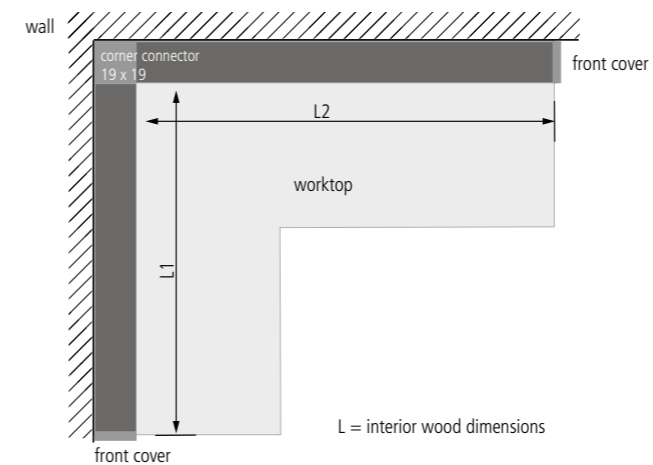
Connection: LED transformer DC 24 V
Energy efficiency: depending on the selected Tape

Special features:

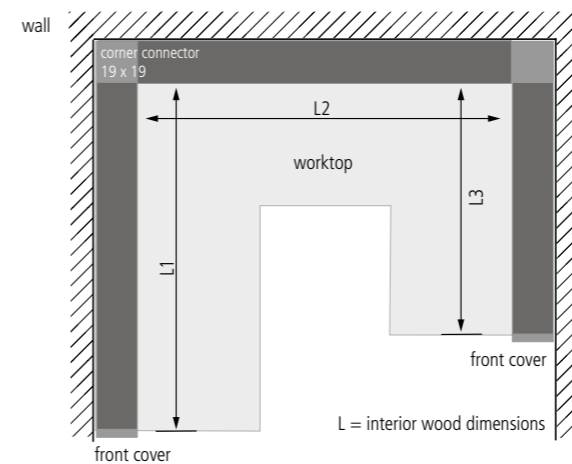
- top mounted luminaire can be planned online in the configurator



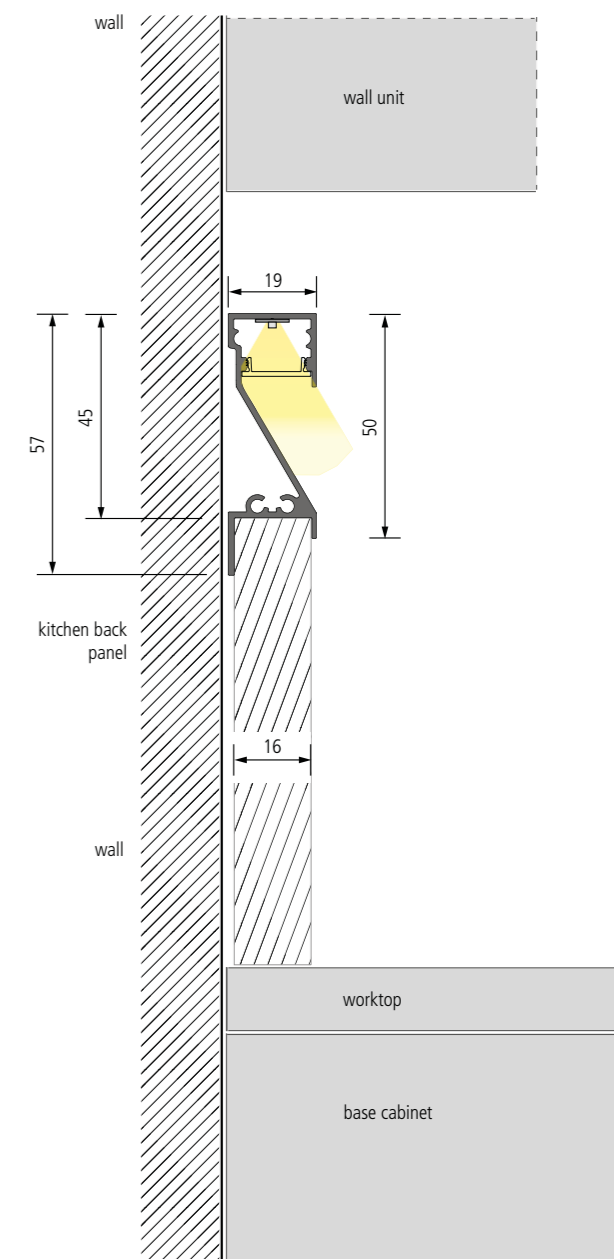
L = interior wood dimensions



L = interior wood dimensions

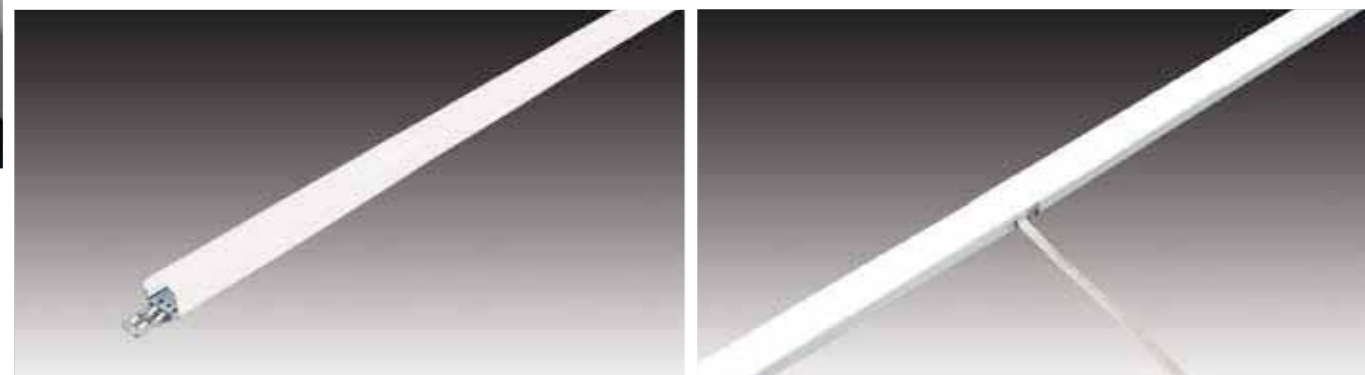


L = interior wood dimensions

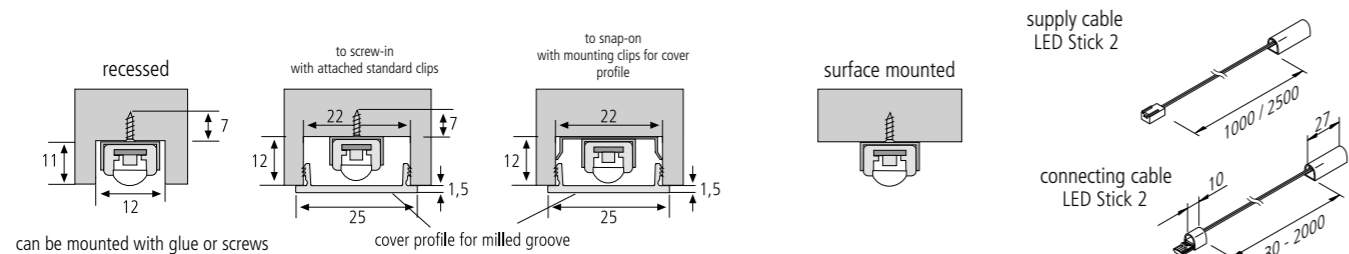
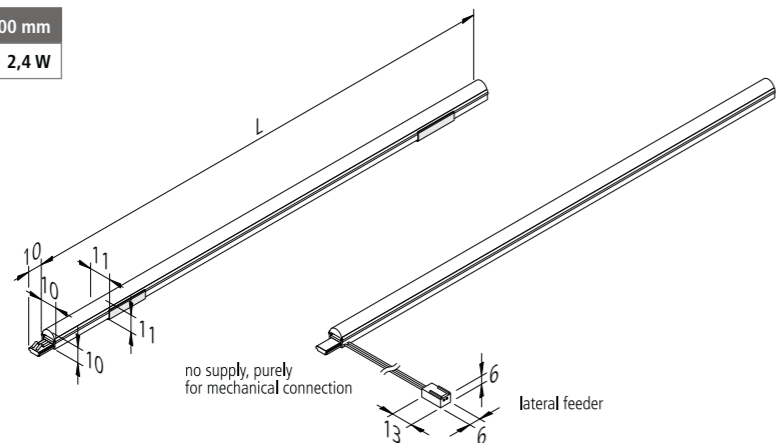


Configurator p. 87





L:	200 mm	300 mm
Wattage:	1,6 W	2,4 W



STICK F

Small, plug-in LED stick with homogeneous planar light



Connection: 220 - 240V / 50 - 60Hz
Life: L70/B10 ≥ 60.000 hours
Energy efficiency: LED 108 lm/W; luminaire: **670 lm/m** (84 lm/W)
Colour rendering: Ra/CRI > 95

LED Stick F		ww	nw
0,5m	∅ 760	820 lx	820 lx
1,0m	∅ 1520	205 lx	205 lx
1,5m	∅ 2280	91 lx	91 lx
2,0m	∅ 3040	51 lx	51 lx
2,5m	∅ 3800	33 lx	33 lx

Special features:

- maximum 20 W or 2,4 m per supply cable
- without dark zones and without visible luminous spots
- LED Stick with lateral feeder for continuous strip lighting

Illustration	Article No.	Description	Features	Weight approx.
	202 021 242 02	LED Stick F 200mm 36 LED 1,6W ww	• colour appearance ww (warm white) approx. 3000K	25 g
	202 021 243 02	LED Stick F 300mm 54 LED 2,4W ww		35 g
	202 021 243 12	LED Stick F 300mm 54 LED 2,4W ww SE	• incl. lateral feeder 2,5m	60 g
	202 021 242 03	LED Stick F 200mm 36 LED 1,6W nw	• colour appearance nw (neutral white) approx. 4000K	25 g
	202 021 243 03	LED Stick F 300mm 54 LED 2,4W nw		35 g
	202 021 243 13	LED Stick F 300mm 54 LED 2,4W nw SE	• incl. lateral feeder 2,5m	60 g
	215 270 625 31	Supply cable LED Stick 2 1000mm	• connection between transformer and first Stick	11 g
	215 270 625 11	Supply cable LED Stick 2 2500mm		25 g
	215 270 600 21	Connecting cable LED Stick 2 30mm	• connection between two Sticks	3 g
	215 270 603 01	Connecting cable LED Stick 2 300mm		6 g
	215 270 607 01	Connecting cable LED Stick 2 700mm		8 g
	215 270 610 11	Connecting cable LED Stick 2 1000mm		11 g
	215 270 620 11	Connecting cable LED Stick 2 2000mm		20 g
		217 032 401 01	Push switch LED Stick 2 anodized aluminium	• 50mm • switches all following Sticks
	202 040 107 03	Mounting clip LED Stick 2	• included with Stick • incl. 2 screws and 2 adhesive strips	3 g
	206 040 011 01	Transformer LED 24/ 15W DC 24V	• mains cable 2m with Euro plug • 12-way distributor	167 g
	206 040 012 01	Transformer LED 24/ 30W DC 24V		330 g
	206 040 019 01	Transformer LED 24/ 75W DC 24V		460 g
	615 000 505 26	24V Dim-Controller radio 80W incl. 4 channel remote control black	• to dim and switch • with 12-way distributor	130 g
	615 000 505 23	24V Dim-Controller radio 80W incl. surface mounted remote control stainless steel look		105 g
	615 000 505 24	24V Dim-Controller radio 80W incl. recessed remote control stainless steel look		80 g
Accessories		Profiles from page 79		



STICK 2

Small, plug-in LED stick without dark zones

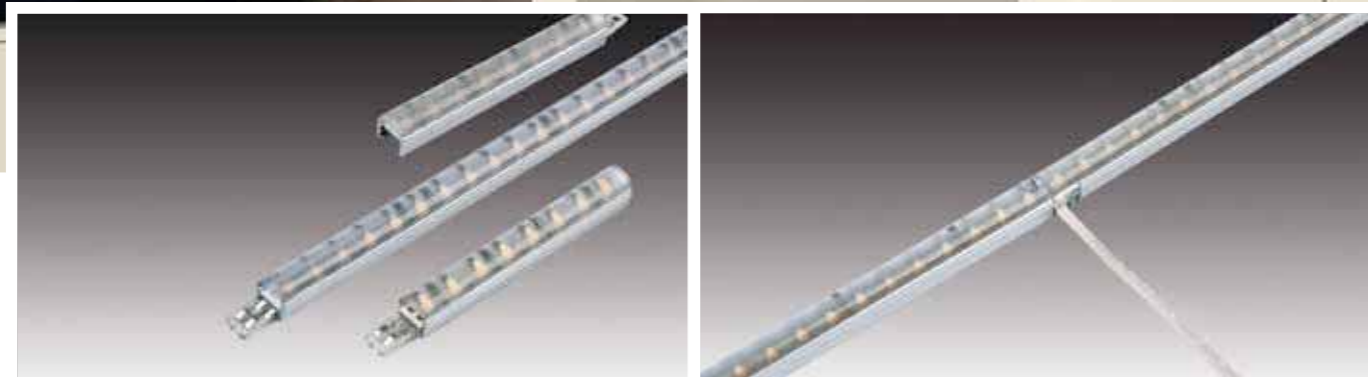


Connection: LED transformer DC 24 V
Life: L70/B10 ≥ 60.000 hours
Energy efficiency: LED 98 lm/W; luminaire: 600 lm/m (75 lm/W)
Colour rendering: xw-nw: Ra/CRI > 95, cw: Ra /CRI > 85

LED Stick 2					
		xw	ww	nw	cw
0,5m	65° Ø 470	1520 lx	1620 lx	1780 lx	1960 lx
1,0m	Ø 940	380 lx	405 lx	445 lx	490 lx
1,5m	Ø 1410	169 lx	180 lx	198 lx	218 lx
2,0m	Ø 1880	95 lx	101 lx	111 lx	123 lx
2,5m	Ø 2350	61 lx	65 lx	71 lx	78 lx

Special features:

- maximum 20 W or 2,4 m per supply cable
- without dark zones
- LED Stick with lateral feeder for continuous strip lighting



L:	70 mm	200 mm	300 mm
Wattage:	0,8 W	1,6 W	2,4 W

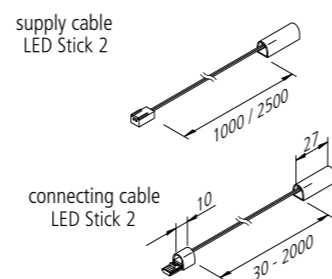
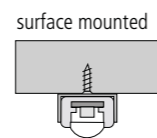
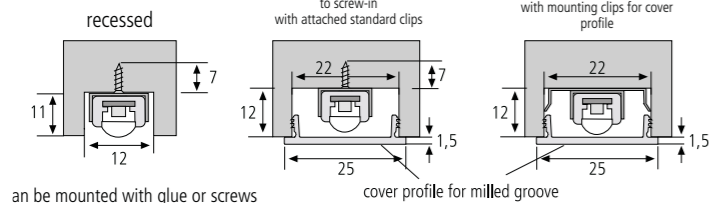
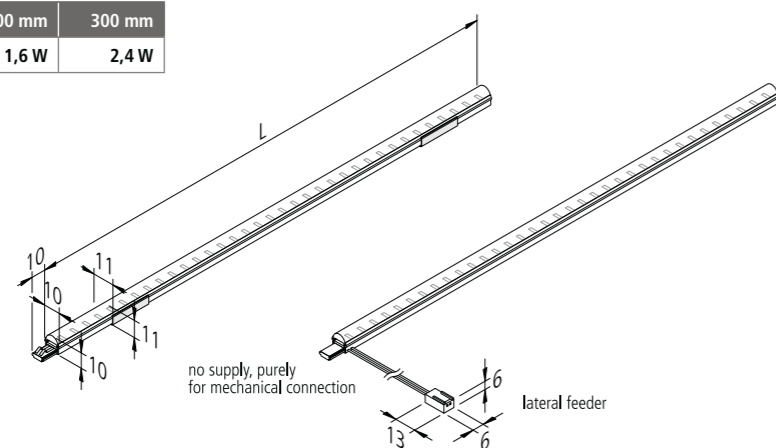
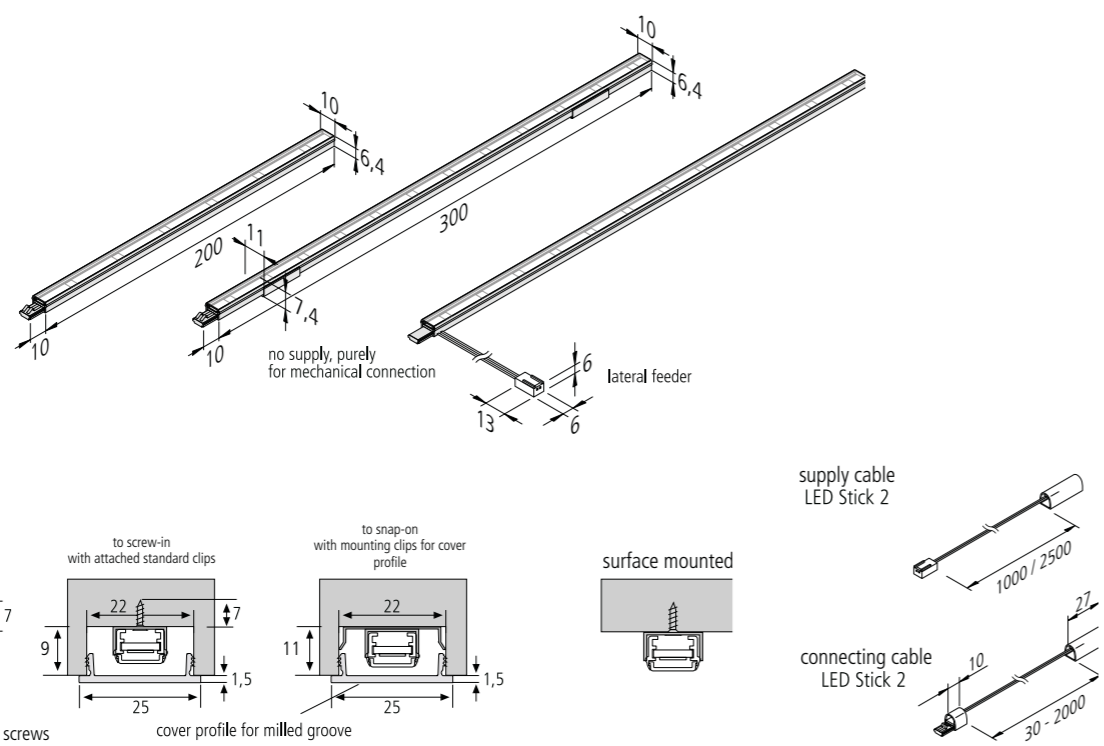


Illustration	Article No.	Description	Features	Weight approx.		
	202 021 220 04	LED Stick 2 70mm 8 LED 0,8W xw	• colour appearance xw (extra warm white) appr. 2700K	10 g		
	202 021 222 04	LED Stick 2 200mm 24 LED 1,6W xw		25 g		
	202 021 223 04	LED Stick 2 300mm 36 LED 2,4W xw		35 g		
		202 021 220 02	LED Stick 2 70mm 8 LED 0,8W ww	• colour appearance ww (warm white) appr. 3000K	10 g	
		202 021 222 02	LED Stick 2 200mm 24 LED 1,6W ww		25 g	
		202 021 223 02	LED Stick 2 300mm 36 LED 2,4W ww		35 g	
		202 021 223 22	LED Stick 2 300mm 36 LED 2,4W ww SE	• incl. lateral feeder 2,5m	60 g	
		202 021 220 05	LED Stick 2 70mm 8 LED 0,8W nw		• colour appearance nw (neutral white) appr. 4000K	10 g
		202 021 222 05	LED Stick 2 200mm 24 LED 1,6W nw			25 g
		202 021 223 05	LED Stick 2 300mm 36 LED 2,4W nw	• incl. lateral feeder 2,5m		35 g
		202 021 223 25	LED Stick 2 300mm 36 LED 2,4W nw SE		60 g	
		202 021 220 01	LED Stick 2 70mm 8 LED 0,8W cw		• colour appearance cw (cool white) appr. 5000K	10 g
202 021 222 01	LED Stick 2 200mm 24 LED 1,6W cw	25 g				
202 021 223 01	LED Stick 2 300mm 36 LED 2,4W cw	• colour appearance cw (cold white) appr. 5000K	35 g			
202 021 223 21	LED Stick 2 300mm 36 LED 2,4W cw SE		60 g			
	215 270 625 31		Supply cable LED Stick 2 1000mm	• connection between transformer and first Stick	11 g	
	215 270 625 11	Supply cable LED Stick 2 2500mm	25 g			
	215 270 600 21	Connecting cable LED Stick 2 30mm	• connection between two Sticks	3 g		
	215 270 603 01	Connecting cable LED Stick 2 300mm		6 g		
	215 270 607 01	Connecting cable LED Stick 2 700mm		8 g		
	215 270 610 11	Connecting cable LED Stick 2 1000mm		11 g		
	215 270 620 11	Connecting cable LED Stick 2 2000mm		20 g		
	217 032 401 01	Push switch LED Stick 2 anodized aluminium	• 50mm • switches all following Sticks	4 g		
	202 040 107 03	Mounting clip LED Stick 2	• included with Stick • incl. 2 screws and 2 adhesive strips	3 g		
	206 040 011 01	Transformer LED 24/ 15W DC 24V	• mains cable 2m with Euro plug • 12-way distributor	167 g		
	206 040 012 01	Transformer LED 24/ 30W DC 24V		330 g		
	206 040 019 01	Transformer LED 24/ 75W DC 24V		460 g		
	615 000 505 26	24V Dim-Controller radio 80W incl. 4 channel remote control black	• to dim and switch • with 12-way distributor	130 g		
	615 000 505 23	24V Dim-Controller radio 80W incl. surface mounted remote control stainless steel look		105 g		
	615 000 505 24	24V Dim-Controller radio 80W incl. recessed remote control stainless steel look		80 g		
Accessories	Profiles from page 79					



POWER-STICK S

Powerful small plug-in LED stick without dark zones



Connection: 220 - 240V / 50 - 60Hz
Life: L70/B10 ≥ 40.000 hours
Energy efficiency: LED 113 lm/W; luminaire: 935 lm/m (70 lm/W)
Colour rendering: Ra/CRI > 95

LED Power-Stick S			
	xw	ww	nw
0,5m	1660 lx	1700 lx	1800 lx
1,0m	415 lx	425 lx	450 lx
1,5m	184 lx	189 lx	200 lx
2,0m	104 lx	106 lx	113 lx
2,5m	66 lx	68 lx	72 lx

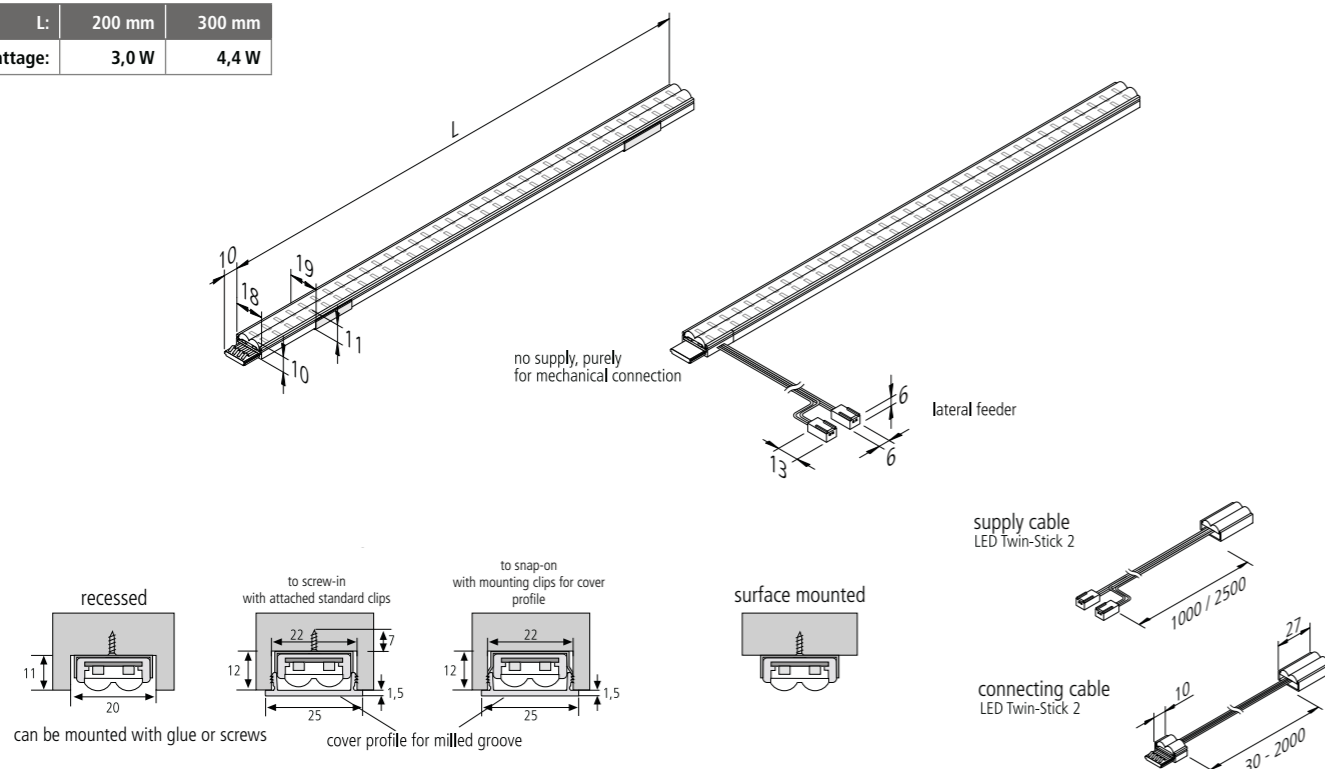
Special features:

- max. 32 W or 2,4 m per supply cable
- without dark zones
- LED Stick with lateral feeder for continuous strip lighting

Illustration	Article No.	Description	Features	Weight approx.
	202 024 101 04	LED Power-Stick S 200mm 6 LED 2,7W xw	• colour appearance xw (extra warm white) appr. 2700K	25 g
	202 024 102 04	LED Power-Stick S 300mm 12 LED 4,0W xw		35 g
	202 024 112 04	LED Power-Stick S 300mm 12 LED 4,0W xw SE 2,5m	• incl. lateral feeder 2,5m	60 g
	202 024 101 02	LED Power-Stick S 200mm 6 LED 2,7W ww		25 g
	202 024 102 02	LED Power-Stick S 300mm 12 LED 4,0W ww	• incl. lateral feeder 2,5m	35 g
	202 024 112 02	LED Power-Stick S 300mm 12 LED 4,0W ww SE 2,5m		60 g
	202 024 101 03	LED Power-Stick S 200mm 6 LED 2,7W nw	• colour appearance nw (neutral white) appr. 4000K	25 g
	202 024 102 03	LED Power-Stick S 300mm 12 LED 4,0W nw		35 g
	202 024 112 03	LED Power-Stick S 300mm 12 LED 4,0W nw SE 2,5m	• incl. lateral feeder 2,5m	60 g
	215 270 625 31	Supply cable LED Stick 2 1000mm	• connection between transformer and first Stick	11 g
	215 270 625 11	Supply cable LED Stick 2 2500mm		25 g
	215 270 600 21	Connecting cable LED Stick 2 30mm	• connection between two Sticks	3 g
	215 270 603 01	Connecting cable LED Stick 2 300mm		6 g
	215 270 607 01	Connecting cable LED Stick 2 700mm		8 g
	215 270 610 11	Connecting cable LED Stick 2 1000mm		11 g
	215 270 620 11	Connecting cable LED Stick 2 2000mm		20 g
		217 032 401 01		Push switch LED Stick 2 anodized aluminium
	202 040 107 03	Mounting clip LED Stick 2	• included with Stick • incl. 2 screws and 2 adhesive strips	3 g
	206 040 011 01	Transformer LED 24/ 15W DC 24V	• mains cable 2m with Euro plug • 12-way distributor	167 g
	206 040 012 01	Transformer LED 24/ 30W DC 24V		330 g
	206 040 019 01	Transformer LED 24/ 75W DC 24V		460 g
	615 000 505 26	24V Dim-Controller radio 80W incl. 4 channel remote control black	• to dim and switch • with 12-way distributor	130 g
	615 000 505 23	24V Dim-Controller radio 80W incl. surface mounted remote control stainless steel look		105 g
	615 000 505 24	24V Dim-Controller radio 80W incl. recessed remote control stainless steel look		80 g
Accessories	Profiles from page 79			



L:	200 mm	300 mm
Wattage:	3,0 W	4,4 W



TWIN-STICK 2

Small plug-in LED stick without dark zones



Connection: LED transformer DC 24 V
Life: L70/B10 ≥ 60.000 hours
Energy efficiency: LED 98 lm/W; luminaire: **1140 lm/m** (78 lm/W)
Colour rendering: ww+nw: Ra/CRI > 95, cw: Ra/CRI > 85

LED Twin-Stick 2		ww	nw	cw
0,5m	55° Ø 450	2600 lx	2820 lx	3120 lx
1,0m	Ø 900	650 lx	705 lx	780 lx
1,5m	Ø 1350	289 lx	313 lx	347 lx
2,0m	Ø 1800	163 lx	176 lx	195 lx
2,5m	Ø 2250	104 lx	113 lx	125 lx

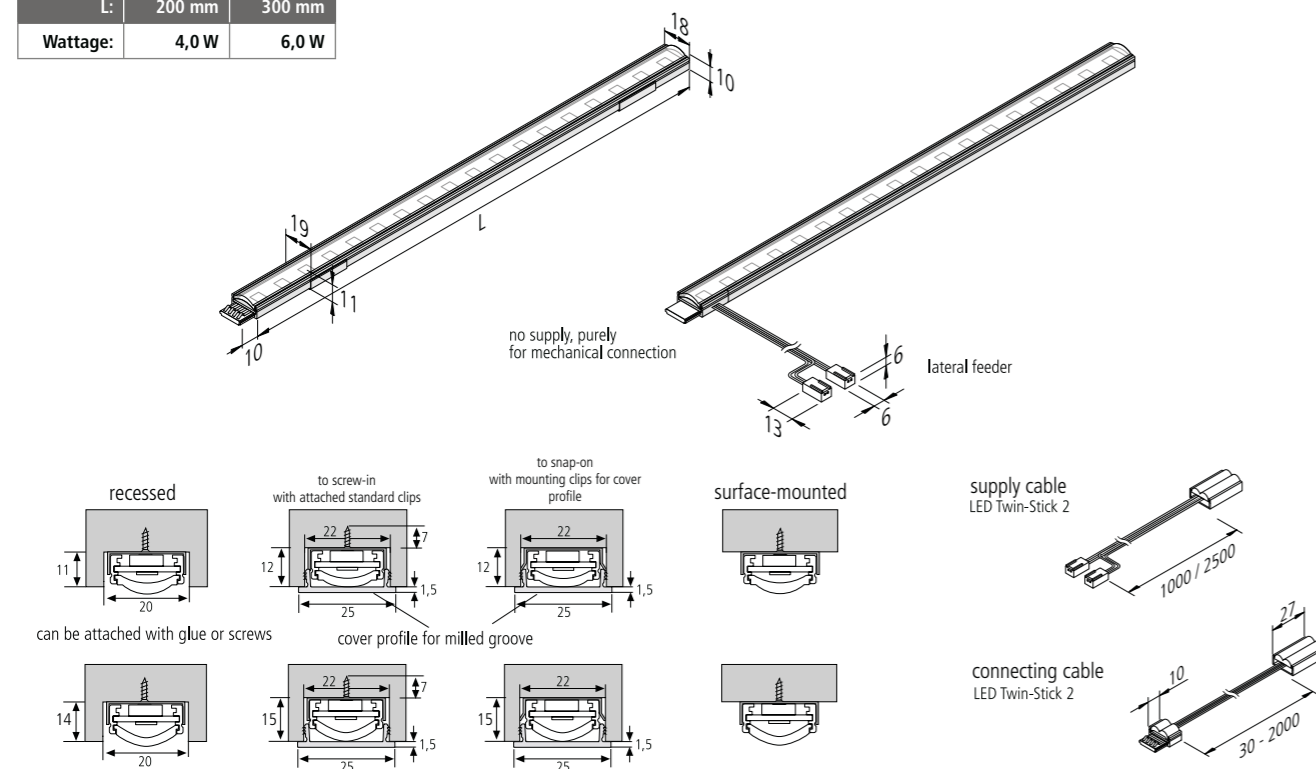
Special features:

- maximum 36 W or 2,4 m per supply cable
- without dark zones
- LED Stick with lateral feeder for continuous strip lighting

Illustration	Article No.	Description	Features	Weight approx.
	202 021 232 02	LED Twin-Stick 2 200mm 48 LED 3,0W ww	• colour appearance ww (warm white) appr. 3000K	45 g
	202 021 233 02	LED Twin-Stick 2 300mm 72 LED 4,4W ww		68 g
	202 021 233 12	LED Twin-Stick 2 300mm 72 LED 4,4W ww SE 2,5m	• colour appearance ww (warm white) appr. 4000K • incl. lateral feeder 2,5m	110 g
	202 021 232 05	LED Twin-Stick 2 200mm 48 LED 3,0W nw	• colour appearance nw (neutral white) appr. 4000K	45 g
	202 021 233 05	LED Twin-Stick 2 300mm 72 LED 4,4W nw		68 g
	202 021 233 15	LED Twin-Stick 2 300mm 72 LED 4,4W nw SE 2,5m	• colour appearance nw (neutral white) appr. 4000K • incl. lateral feeder 2,5m	110 g
	202 021 232 01	LED Twin-Stick 2 200mm 48 LED 3,0W cw	• colour appearance cw (cool white) appr. 5000K	45 g
	202 021 233 01	LED Twin-Stick 2 300mm 72 LED 4,4W cw	• colour appearance cw (cool white) appr. 5000K	68 g
	202 021 233 11	LED Twin-Stick 2 300mm 72 LED 4,4W cw SE 2,5m		110 g
	215 270 625 32	Supply cable LED Twin-Stick 2 1000mm	• connection between transformer and first Twin-Stick	21 g
	215 272 625 02	Supply cable LED Twin-Stick 2 2500mm		40 g
	215 270 600 22	Connecting cable LED Twin-Stick 2 30mm	• connection between two Twin-Sticks	5 g
	215 270 603 02	Connecting cable LED Twin-Stick 2 300mm		10 g
	215 270 607 02	Connecting cable LED Twin-Stick 2 700mm		16 g
	215 270 610 12	Connecting cable LED Twin-Stick 2 1000mm		21 g
	215 270 620 12	Connecting cable LED Twin-Stick 2 2000mm		40 g
	217 032 402 01	LED Twin-Stick 2 dip switch anodized aluminium	• 50mm • switches all following Twin-Sticks	7 g
	202 040 107 04	Mounting clip LED Twin-Stick 2	• included with Twin-Stick • incl. 2 screws and 2 adhesive strips	4 g
	206 040 011 01	Transformer LED 24/ 15W DC 24V	• mains cable 2m with Euro plug • 12-way distributor	167 g
	206 040 012 01	Transformer LED 24/ 30W DC 24V		330 g
	206 040 019 01	Transformer LED 24/ 75W DC 24V		460 g
	615 000 505 26	24V Dim-Controller radio 80W incl. 4 channel remote control black	• to dim and switch • with 12-way distributor	130 g
	615 000 505 23	24V Dim-Controller radio 80W incl. surface mounted remote control stainless steel look		105 g
	615 000 505 24	24V Dim-Controller radio 80W incl. recessed remote control stainless steel look		80 g
Accessories	Profiles from page 79			



L:	200 mm	300 mm
Wattage:	4,0 W	6,0 W



POWER-STICK T

Powerful small plug-in LED stick without dark zones



Connection: LED transformer DC 24 V
Life: L70/B10 ≥ 60.000 hours
Energy efficiency: LED 113 lm/W; luminaire: **1505 lm/m** (75 lm/W)
Colour rendering: Ra/CRI > 95

LED Power-Stick T					
		xw	ww	nw	cw
0,5m	85° Ø 560	4000 lx	4080 lx	4260 lx	4480 lx
1,0m	Ø 1120	1000 lx	1020 lx	1065 lx	1120 lx
1,5m	Ø 1680	444 lx	453 lx	473 lx	498 lx
2,0m	Ø 2240	250 lx	255 lx	266 lx	280 lx
2,5m	Ø 2800	160 lx	163 lx	170 lx	179 lx

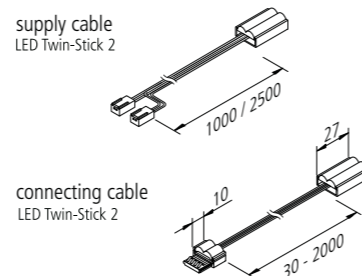
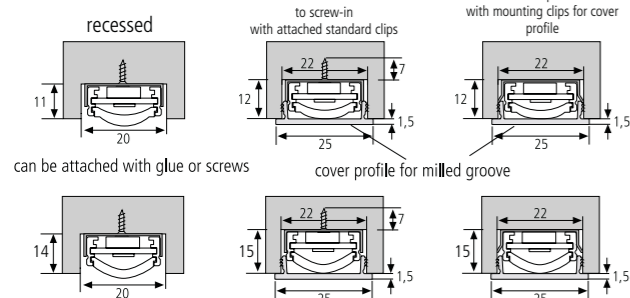
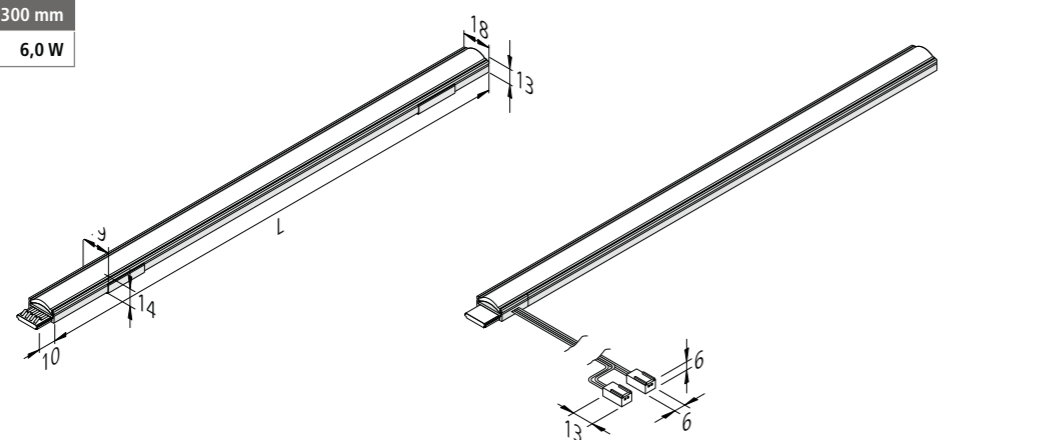
Special features:

- max. 48 W or 2,4 m per supply cable
- without dark zones
- LED Stick with lateral feeder for continuous strip lighting

Illustration	Article No.	Description	Features	Weight approx.
	202 023 901 04	LED Power-Stick T 200mm 12 LED 4W xw	• colour appearance xw (extra warm white) approx. 2700K	45 g
	202 023 902 04	LED Power-Stick T 300mm 18 LED 6W xw		68 g
	202 023 902 14	LED Power-Stick T 300mm 18 LED 6W xw SE 2,5m	• incl. lateral feeder 2,5m	110 g
	202 023 901 02	LED Power-Stick T 200mm 12 LED 4W ww	• colour appearance ww (warm white) approx. 3000K	45 g
	202 023 902 02	LED Power-Stick T 300mm 18 LED 6W ww		68 g
	202 023 902 12	LED Power-Stick T 300mm 18 LED 6W ww SE 2,5m	• incl. lateral feeder 2,5m	110 g
	202 023 901 03	LED Power-Stick T 200mm 12 LED 4W nw	• colour appearance nw (neutral white) approx. 4000K	45 g
	202 023 902 03	LED Power-Stick T 300mm 18 LED 6W nw		68 g
	202 023 902 13	LED Power-Stick T 300mm 18 LED 6W nw SE 2,5m	• incl. lateral feeder 2,5m	110 g
	202 023 901 01	LED Power-Stick T 200mm 12 LED 4W cw	• colour appearance cw (cool white) approx. 5000K	45 g
	202 023 902 01	LED Power-Stick T 300mm 18 LED 6W cw		68 g
	202 023 902 11	LED Power-Stick T 300mm 18 LED 6W cw SE 2,5m	• incl. lateral feeder 2,5m	110 g
	215 270 625 32	Supply cable LED Twin-Stick 2 1000mm	• connection between transformer and first Twin-Stick	21 g
	215 272 625 02	Supply cable LED Twin-Stick 2 2500mm		40 g
	215 270 600 22	Connecting cable LED Twin-Stick 2 30mm	• connection between two Twin-Sticks	5 g
	215 270 603 02	Connecting cable LED Twin-Stick 2 300mm		10 g
	215 270 607 02	Connecting cable LED Twin-Stick 2 700mm		16 g
	215 270 610 12	Connecting cable LED Twin-Stick 2 1000mm		21 g
	215 270 620 12	Connecting cable LED Twin-Stick 2 2000mm		40 g
	217 032 402 01	LED Twin-Stick 2 dip switch anodized aluminium		• 50mm • switches all following Twin-Sticks
	202 040 107 04	Mounting clip LED Twin-Stick 2	• included with Twin-Stick • incl. 2 screws and 2 adhesive strips	4 g
	206 040 011 01	Transformer LED 24/ 15W DC 24V	• mains cable 2m with Euro plug • 12-way distributor	167 g
	206 040 012 01	Transformer LED 24/ 30W DC 24V		330 g
	206 040 019 01	Transformer LED 24/ 75W DC 24V		460 g
	615 000 505 26	24V Dim-Controller radio 80W incl. 4 channel remote control black	• to dim and switch • with 12-way distributor	130 g
	615 000 505 23	24V Dim-Controller radio 80W incl. surface mounted remote control stainless steel look		105 g
	615 000 505 24	24V Dim-Controller radio 80W incl. recessed remote control stainless steel look		80 g
	Accessories	Profiles from page 79		



L:	200 mm	300 mm
Wattage:	4,0 W	6,0 W



* max. 10 lamps on one DALI-Controller

POWER-STICK TF

Powerful small plug-in LED stick with homogeneous planar light



Connection: LED transformer DC 24 V
Life: L70/B10 ≥ 60.000 hours
Energy efficiency: LED 110 lm/W; luminaire: **1700 lm/m** (85 lm/W)
Colour rendering: Ra/CRI > 90

LED Power-Stick TF		ww	nw
0,5m	∅ 610	2520 lx	2720 lx
1,0m	∅ 1220	630 lx	680 lx
1,5m	∅ 1830	280 lx	302 lx
2,0m	∅ 2440	158 lx	170 lx
2,5m	∅ 3050	101 lx	109 lx

Special features:

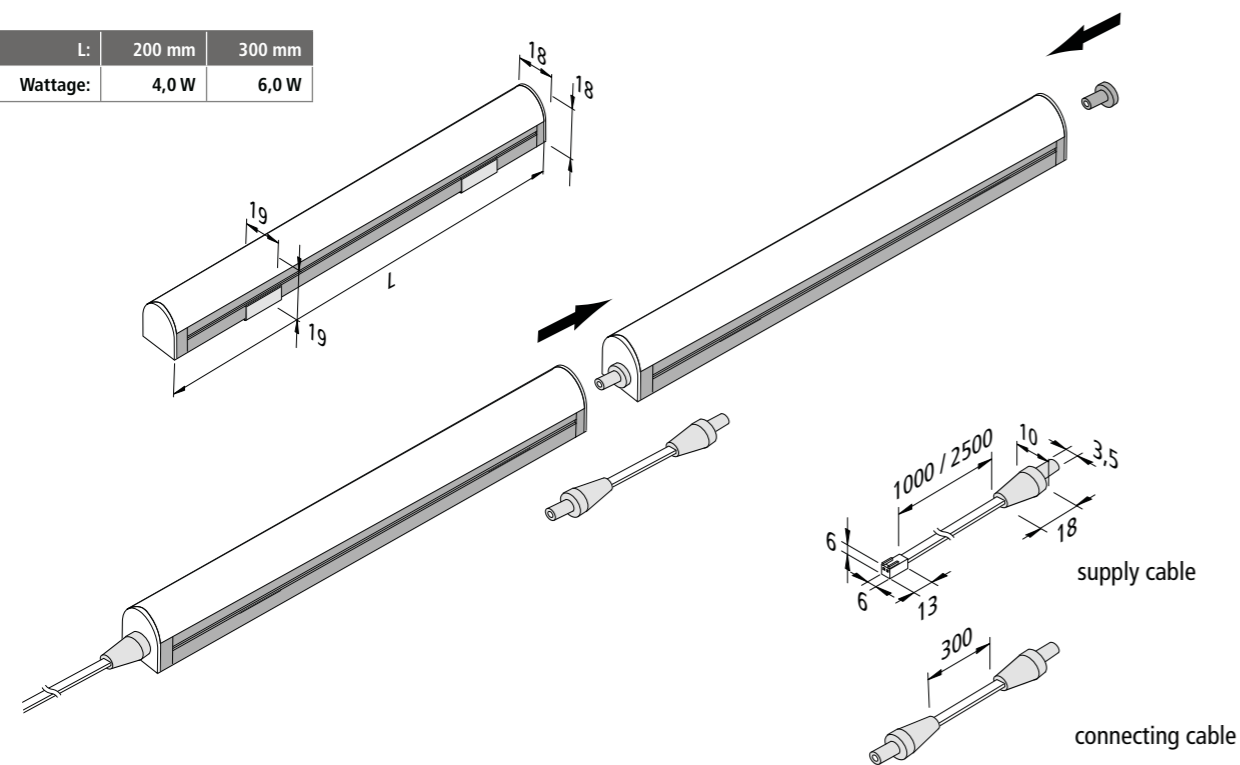
- max. 48 W or 2,4 m per supply cable
- without dark zones
- LED Stick with lateral feeder for continuous strip lighting
- without visible luminous spots

Illustration	Article No.	Description	Features	Weight approx.
	202 026 401 02	LED Power-Stick TF 200mm 24 LED 4W ww *	• colour appearance ww (warm white) approx. 3000K	45 g
	202 026 402 02	LED Power-Stick TF 300mm 36 LED 6W ww *		68 g
	202 026 402 12	LED Power-Stick TF 300mm 36 LED 6W ww SE 2,5m *	• incl. lateral feeder 2,5m	110 g
	202 026 401 03	LED Power-Stick TF 200mm 24 LED 4W nw *	• colour appearance nw (neutral white) approx. 4000K	45 g
	202 026 402 03	LED Power-Stick TF 300mm 36 LED 6W nw *		68 g
	202 026 402 13	LED Power-Stick TF 300mm 36 LED 6W nw SE 2,5m *	• incl. lateral feeder 2,5m	110 g
	215 270 625 32	Supply cable LED Twin-Stick 2 1000mm	• connection between transformer and first Twin-Stick	21 g
	215 272 625 02	Supply cable LED Twin-Stick 2 2500mm		40 g
	215 270 600 22	Connecting cable LED Twin-Stick 2 30mm	• connection between two Twin-Sticks	5 g
	215 270 603 02	Connecting cable LED Twin-Stick 2 300mm		10 g
	215 270 607 02	Connecting cable LED Twin-Stick 2 700mm		16 g
	215 270 610 12	Connecting cable LED Twin-Stick 2 1000mm		21 g
	215 270 620 12	Connecting cable LED Twin-Stick 2 2000mm		40 g
	217 032 402 01	LED Twin-Stick 2 dip switch anodized aluminium	• 50mm • switches all following Twin-Sticks	7 g
	202 040 107 04	Mounting clip LED Twin-Stick 2	• included with Twin-Stick • incl. 2 screws and 2 adhesive strips	4 g
	206 040 011 01	Transformer LED 24/ 15W DC 24V	• mains cable 2m with Euro plug • 12-way distributor	167 g
	206 040 012 01	Transformer LED 24/ 30W DC 24V		330 g
	206 040 019 01	Transformer LED 24/ 75W DC 24V		460 g
	615 000 505 26	24V Dim-Controller radio 80W incl. 4 channel remote control black	• to dim and switch • with 12-way distributor	130 g
	615 000 505 23	24V Dim-Controller radio 80W incl. surface mounted remote control stainless steel look		105 g
	615 000 505 24	24V Dim-Controller radio 80W incl. recessed remote control stainless steel look		80 g
	Accessories	Profiles from page 79		

* max. 10 lamps on one DALI-Controller



L:	200 mm	300 mm
Wattage:	4,0 W	6,0 W



EVO-STICK F2

Powerful pluggable LED stick with homogeneous planar light and IP65



Connection: LED transformer DC 24 V
Life: L70/B10 ≥ 50.000 hours
Energy efficiency: LED 129 lm/W; luminaire: **1900 lm/m** (95 lm/W)
Colour rendering: Ra/CRI > 90

	Meat R	xw	ww	nw
0,5m	1424 lx	2236 lx	2260 lx	2360 lx
1,0m	356 lx	559 lx	565 lx	590 lx
1,5m	158 lx	248 lx	251 lx	262 lx
2,0m	89 lx	140 lx	141 lx	148 lx
2,5m	57 lx	89 lx	90 lx	94 lx

Special features:

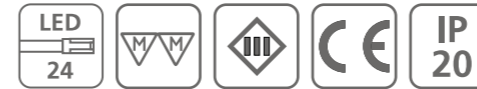
- max. 60 W or 3 m per supply cable
- quick and easy installation due to double-sided adhesive tape
- with IP65, suitable for applications requiring higher ingress protection (general humidity, bathroom, kitchen, shops)
- halogen-free cables

Abbildung	Article No.	Description	Features	Weight approx.
	202 029 301 04	LED Evo-Stick F2 200mm 28 LED 4W xw	• colour appearance xw (extra warm white) approx. 2700K	50 g
	202 029 302 04	LED Evo-Stick F2 300mm 42 LED 6W xw		72 g
	202 029 301 02	LED Evo-Stick F2 200mm 28 LED 4W ww	• colour appearance ww (warm white) approx. 3000K	50 g
	202 029 302 02	LED Evo-Stick F2 300mm 42 LED 6W ww		72 g
	202 029 301 03	LED Evo-Stick F2 200mm 28 LED 4W nw	• colour appearance nw (neutral white) approx. 4000K	50 g
	202 029 302 03	LED Evo-Stick F2 300mm 42 LED 6W nw		72 g
	202 029 301 05	LED Evo-Stick F2 200mm 28 LED 4W Meat R	• colour appearance Meat R	50 g
	202 029 302 05	LED Evo-Stick F2 300mm 42 LED 6W Meat R		72 g
	215 300 404 22	Supply cable LED Evo-Stick F2 1000mm	• connection between transformer and first LED Evo-Stick	20 g
	215 300 404 21	Supply cable LED Evo-Stick F2 2500mm		41 g
	215 300 404 31	Connecting cable LED Evo-Stick F2 300mm	• connection between two LED Evo-Sticks	10 g
	202 040 107 04	Mounting clip LED Twin-Stick 2	• included with Twin-Stick • incl. 2 screws and 2 adhesive strips	4 g
	206 040 011 01	Transformer LED 24/ 15W DC 24V	• mains cable 2m with Euro plug • 12-way distributor	167 g
	206 040 012 01	Transformer LED 24/ 30W DC 24V		330 g
206 040 019 01	Transformer LED 24/ 75W DC 24V	460 g		
	615 000 505 26	24V Dim-Controller radio 80W incl. 4 channel remote control black	• to dim and switch • with 12-way distributor	130 g
	615 000 505 23	24V Dim-Controller radio 80W incl. surface mounted remote control stainless steel look		105 g
	615 000 505 24	24V Dim-Controller radio 80W incl. recessed remote control stainless steel look		80 g



WARDROBE TUBE LUMINAIRE

Wardrobe Tube Luminaire with motion-activated switch



Connection: LED transformer DC 24 V
Life: L70/B10 ≥ 50.000 hours
Energy efficiency: LED 140 lm/W; luminaire: 385 / 665 / 805 lm (70 lm/W)
Colour rendering: Ra/CRI > 80

Wardrobe Tube Luminaire		0,6m	1m	1,2m
0,5m	Ø 620	484 lx	808 lx	968 lx
1,0m	Ø 1240	121 lx	202 lx	242 lx
1,5m	Ø 1860	54 lx	90 lx	108 lx
2,0m	Ø 2480	30 lx	51 lx	61 lx
2,5m	Ø 3100	19 lx	32 lx	39 lx

Special features:

- integrated motion-activated switch with a 30 seconds delay
- can be shortened individually

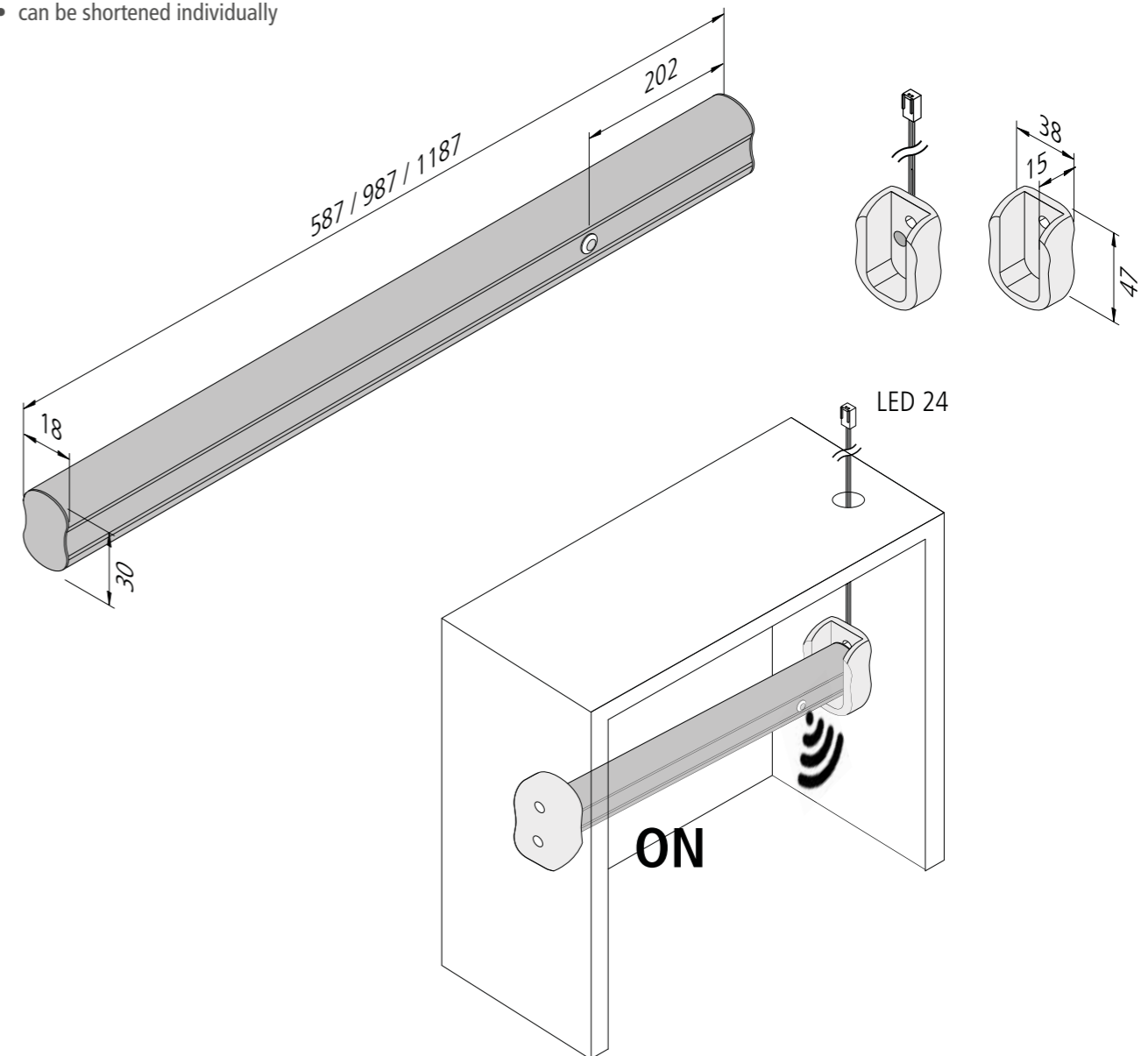


Illustration	Article No.	Description	Features	Weight approx.
	202 030 201 01	LED Wardrobe Tube Luminaire 600mm 5,5W	<ul style="list-style-type: none"> • colour appearance nw (neutral white) approx. 4000K • supply cable 2,5m with LED 24 plug • matt chrome 	266 g
	202 030 202 01	LED Wardrobe Tube Luminaire 1000mm 9,5W		380 g
	202 030 203 01	LED Wardrobe Tube Luminaire 1200mm 11,5W		485 g
	Accessories	LED transformers 24V from page 248		



UP + DOWN

Interior cabinet and worktop luminaire



Connection: LED transformer DC 24 V
Life: L70/B10 ≥ 60.000 hours
Energy efficiency: LED 129 lm/W; luminaire: **1070 lm/m** (66 lm/W)
Colour rendering: Ra/CRI > 80

Special features:

- for 16 mm panels

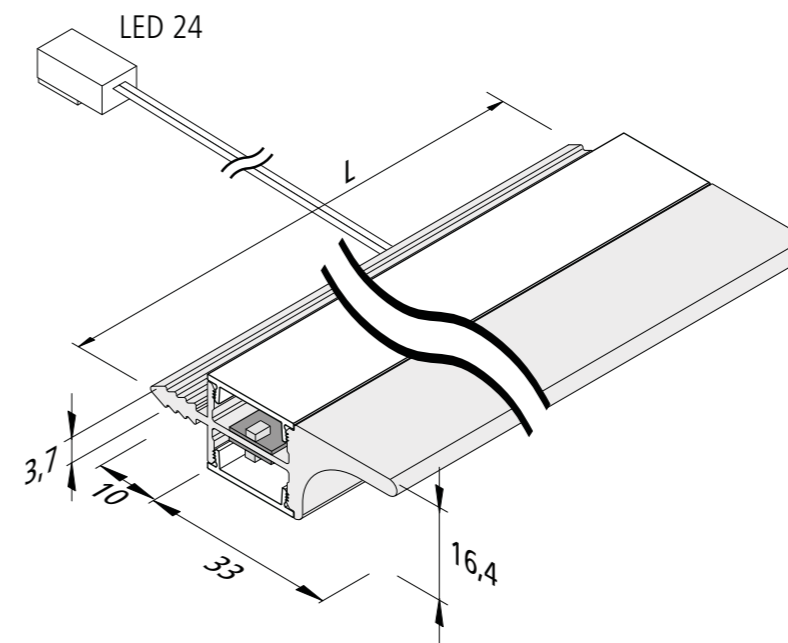
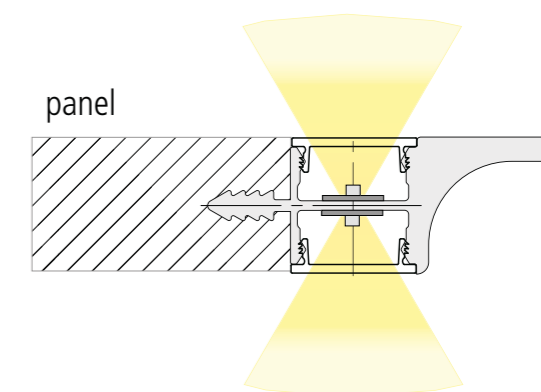
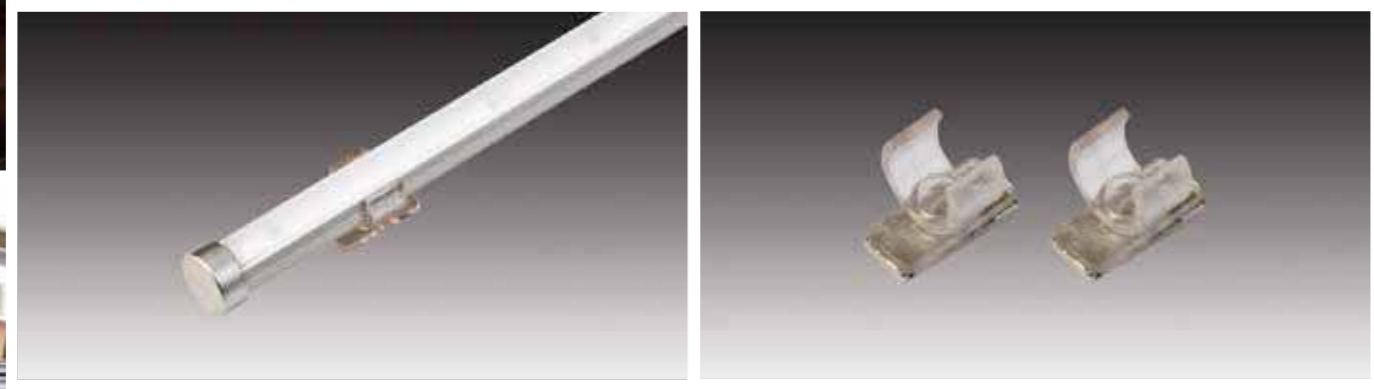
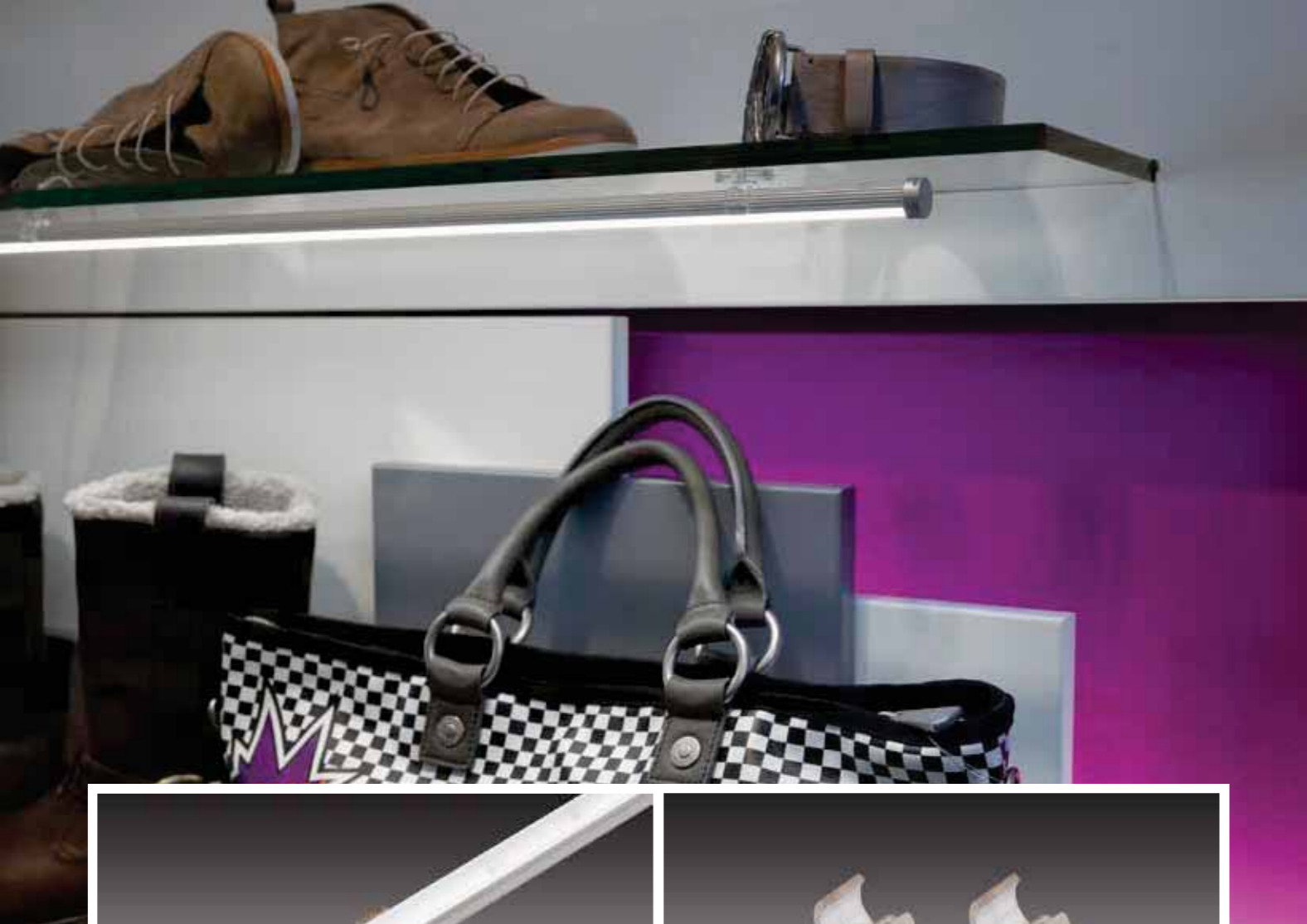


Illustration	Article No.	Description	Features	Weight approx.
	610 022 301 02	Up + Down LED 412mm 6,4W ww	<ul style="list-style-type: none"> • colour appearance ww (warm white) approx. 3000K • supply cable 2,5m with LED 24 plug (centred cable outlet) • stainless steel look • for 16mm panels 	225 g
	610 022 302 02	Up + Down LED 562mm 8,8W ww		300 g
	610 022 303 02	Up + Down LED 862mm 13,6W ww		430 g
	610 022 304 02	Up + Down LED 1162mm 18,4W ww		560 g
	Accessories	LED transformers 24V from page 248		



PIPE F

Rotating LED linear luminaire with homogeneous planar light



Connection: LED transformer DC 24 V
Life: L70/B10 ≥ 60.000 hours
Energy efficiency: LED 107 lm/W; luminaire: **1100 lm/m** (51 lm/W)
Colour rendering: Ra/CRI > 95

LED Pipe F		ww	nw
0,5m	Ø 650	1324 lx	1360 lx
1,0m	Ø 1300	331 lx	340 lx
1,5m	Ø 1950	147 lx	151 lx
2,0m	Ø 2600	83 lx	85 lx
2,5m	Ø 3250	53 lx	54 lx

Special features:

- LEDs rotating 360°, max. 60 W per supply cable, assembly with screws in wood or with magnet holding clip as accessory, no visible luminous spots

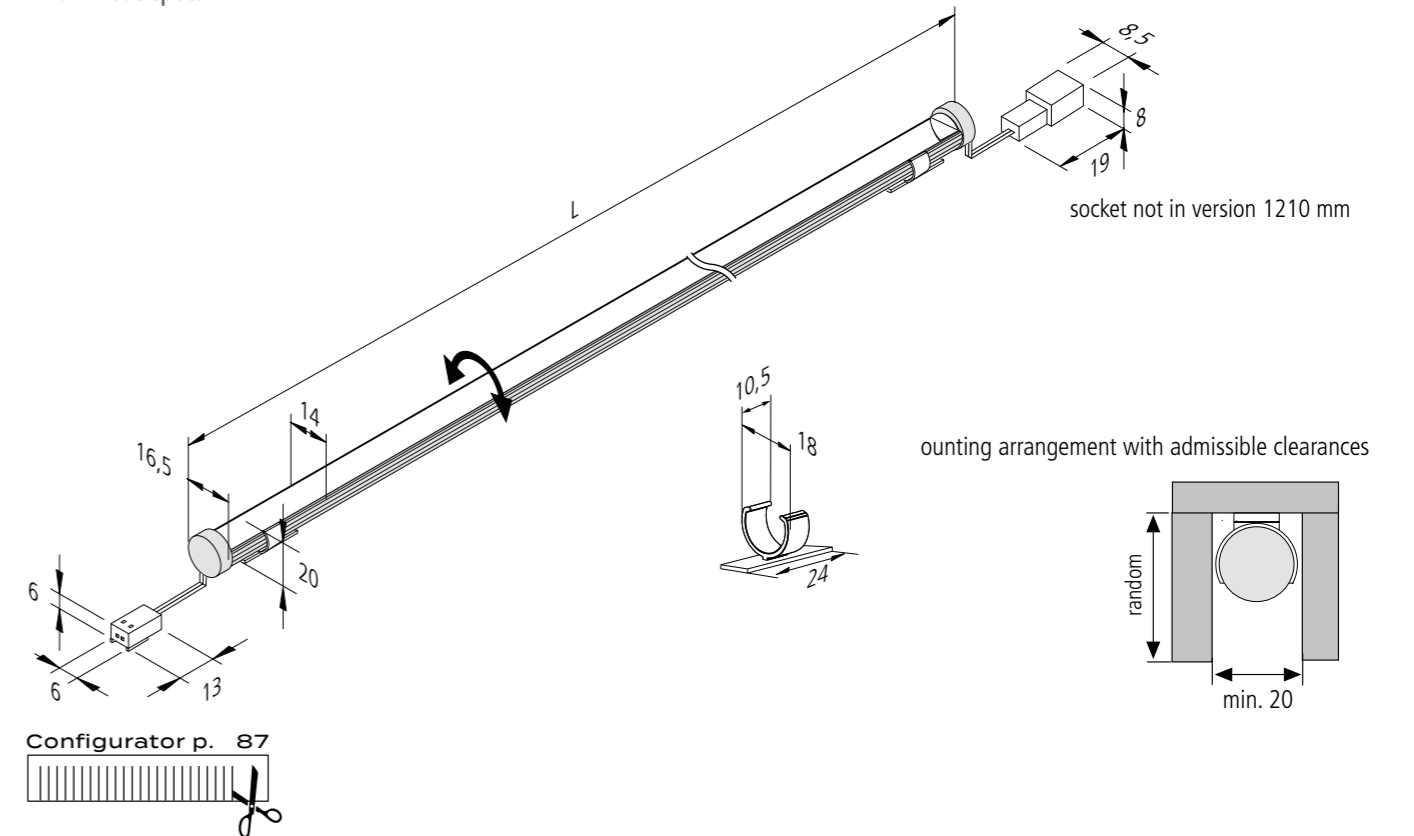


Illustration	Article No.	Description	Features	Weight approx.
	610 016 101 02	LED Pipe F 310mm 5,8W ww	<ul style="list-style-type: none"> colour appearance ww (warm white) approx. 3000K supply cable 25mm with LED 24 plug connecting cable 25mm with LED 24 socket further versions from 1 piece 	65 g
	610 016 102 02	LED Pipe F 610mm 11,4W ww		130 g
	610 016 103 02	LED Pipe F 910mm 17,0W ww		195 g
	610 016 114 02	LED Pipe F 1210mm 22,3W ww		280 g
	610 016 101 03	LED Pipe F 310mm 5,8W nw	<ul style="list-style-type: none"> colour appearance nw (neutral white) approx. 4000K supply cable 25mm with LED 24 plug connecting cable 25mm with LED 24 socket further versions from 1 piece 	65 g
	610 016 102 03	LED Pipe F 610mm 11,4W nw		130 g
	610 016 103 03	LED Pipe F 910mm 17,0W nw		195 g
	610 016 114 03	LED Pipe F 1210mm 22,3W nw		280 g
	215 300 610 01	LED 24 connecting cable 1,0m	<ul style="list-style-type: none"> up to max. 60W usable further information on page 250 	9 g
	215 300 625 01	LED 24 connecting cable 2,5m		22 g
	213 010 101 57	Magnet holding clip transparent	<ul style="list-style-type: none"> set of 2 incl. magnet 25 x 10 x 3mm 	13 g
Accessories		LED transformers 24V from page 248 / dim-controllers page 256		



Connection: LED transformer DC 24 V
Life: L70/B10 ≥ 50.000 hours
Energy efficiency: LED 113 lm/W; luminaire: 1530 lm/m (61 lm/W)
Colour rendering: Ra/CRI > 95

LED Pipe		xw	nw	cw
0,5m	Ø 590	2580 lx	2660 lx	2740 lx
1,0m	Ø 1180	645 lx	665 lx	685 lx
1,5m	Ø 1770	287 lx	296 lx	304 lx
2,0m	Ø 2360	161 lx	166 lx	171 lx
2,5m	Ø 2950	103 lx	106 lx	110 lx

Special features:

- LEDs rotating 360°, max. 60 W per supply cable
- assembly with screws in wood or with magnet holding clip as accessory

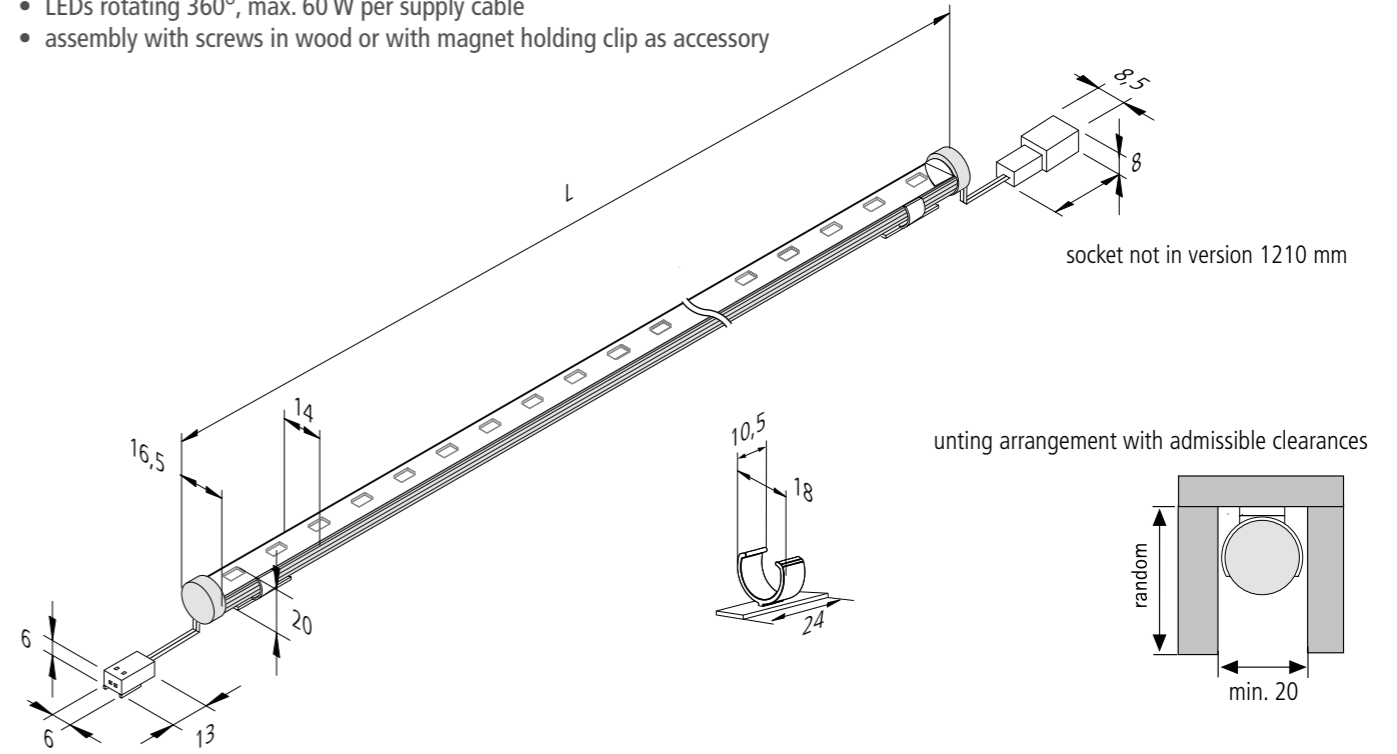
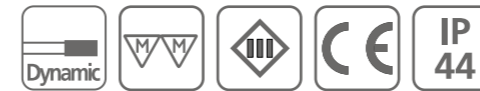


Illustration	Article No.	Description	Features	Weight approx.
	610 014 911 03	LED Pipe 310mm 7,5W xw	<ul style="list-style-type: none"> • colour appearance xw (extra warm white) approx. 2700K • supply cable 25mm with LED 24 plug • connecting cable 25mm with LED 24 socket • further versions from 10 pieces on request 	65 g
	610 014 912 03	LED Pipe 610mm 15,0W xw		130 g
	610 014 913 03	LED Pipe 910mm 22,5W xw		195 g
	610 014 904 03	LED Pipe 1210mm 30,0W xw	<ul style="list-style-type: none"> • supply cable 2,5m with LED 24 plug 	280 g
	610 014 911 02	LED Pipe 310mm 7,5W ww	<ul style="list-style-type: none"> • colour appearance ww (warm white) approx. 3000K • supply cable 25mm with LED 24 plug • connecting cable 25mm with LED 24 socket • further versions from 10 pieces on request 	65 g
	610 014 912 02	LED Pipe 610mm 15,0W ww		130 g
	610 014 913 02	LED Pipe 910mm 22,5W ww		195 g
	610 014 904 02	LED Pipe 1210mm 30,0W ww	<ul style="list-style-type: none"> • supply cable 2,5m with LED 24 plug 	280 g
	610 014 911 01	LED Pipe 310mm 7,5W nw	<ul style="list-style-type: none"> • colour appearance nw (neutral white) approx. 4000K • supply cable 25mm with LED 24 plug • connecting cable 25mm with LED 24 socket • further versions from 10 pieces on request 	65 g
	610 014 912 01	LED Pipe 610mm 15,0W nw		130 g
	610 014 913 01	LED Pipe 910mm 22,5W nw		195 g
	610 014 904 01	LED Pipe 1210mm 30,0W nw	<ul style="list-style-type: none"> • supply cable 2,5m with LED 24 plug 	280 g
	215 300 610 01	LED 24 connecting cable 1,0m	<ul style="list-style-type: none"> • up to max. 60W usable • further information on page 250 	9 g
	215 300 625 01	LED 24 connecting cable 2,5m		22 g
	213 010 101 57	Magnet holding clip transparent	<ul style="list-style-type: none"> • set of 2 incl. magnet 25 x 10 x 3mm 	13 g
Accessories	LED transformers 24V from page 248 / dim-controllers page 256			



DYNAMIC IN-STICK SF

Lean recessed LED luminaire with adjustable colour appearance

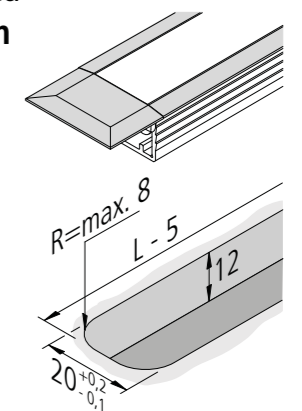
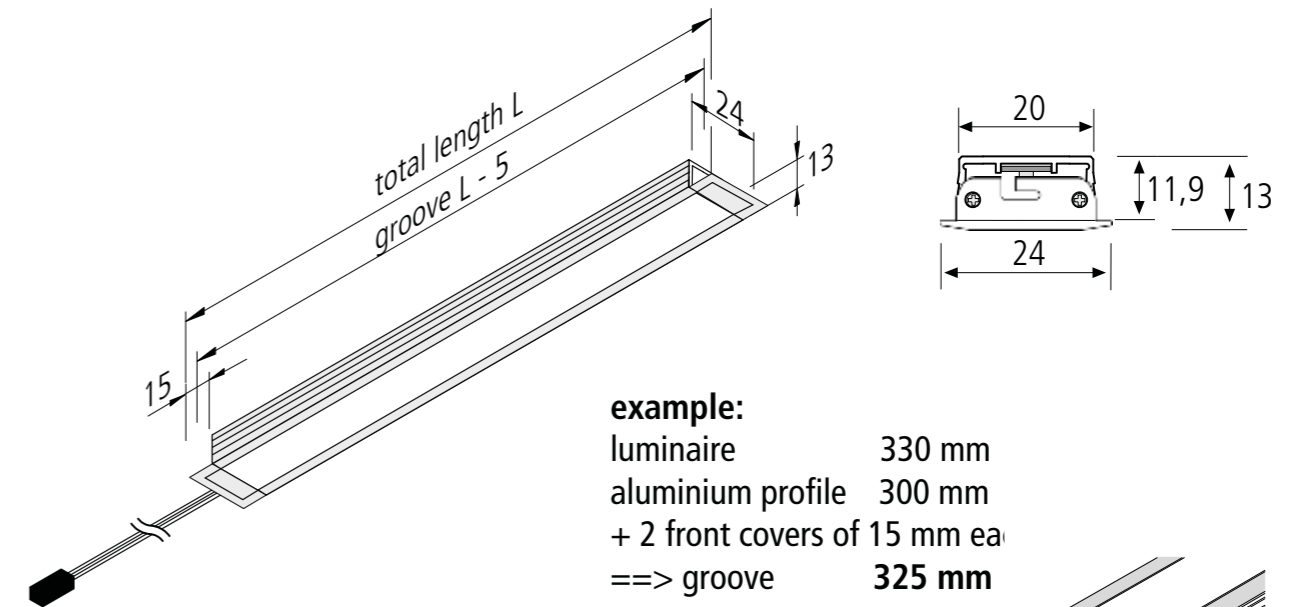


Connection: LED transformer DC 24 V
Life: L70/B10 ≥ 50.000 hours
Energy efficiency: LED 129 lm/W; luminaire: **574 lm/m** (40 lm/W)
Colour rendering: Ra/CRI > 82

Dynamic LED IN-Stick SF				
		xw	nw	cw
0,5m	Ø 560	1184 lx	1288 lx	1356 lx
1,0m	Ø 1120	296 lx	322 lx	339 lx
1,5m	Ø 1680	132 lx	143 lx	151 lx
2,0m	Ø 2240	74 lx	81 lx	85 lx
2,5m	Ø 2800	47 lx	52 lx	54 lx

Special features:

- only 12 mm thickness
- no visible luminous spots
- colour appearance adjustable between approx. 2700 K (xw) and 5000 K (cw)



Configurator p. 87



Illustration	Article No.	Description	Features	Weight approx.
	610 018 301 01	Dynamic LED IN-Stick SF 330mm 5,2W	<ul style="list-style-type: none"> • colour appearance adjustable between 2700K and 5000K • supply cable 2,5m with Dynamic plug • anodized aluminium • for milled grooves 12 x 20mm • further versions from 1 piece 	90 g
	610 018 302 01	Dynamic LED IN-Stick SF 530mm 8,6W		140 g
	610 018 303 01	Dynamic LED IN-Stick SF 830mm 13,6W		210 g
	610 018 304 01	Dynamic LED IN-Stick SF 1130mm 18,4W		280 g
	Accessories	LED transformer 24V from page 248 / Dynamic-controllers page 255		



NEW

IN-STICK MF

Lean recessed LED luminaire with homogeneous planar light

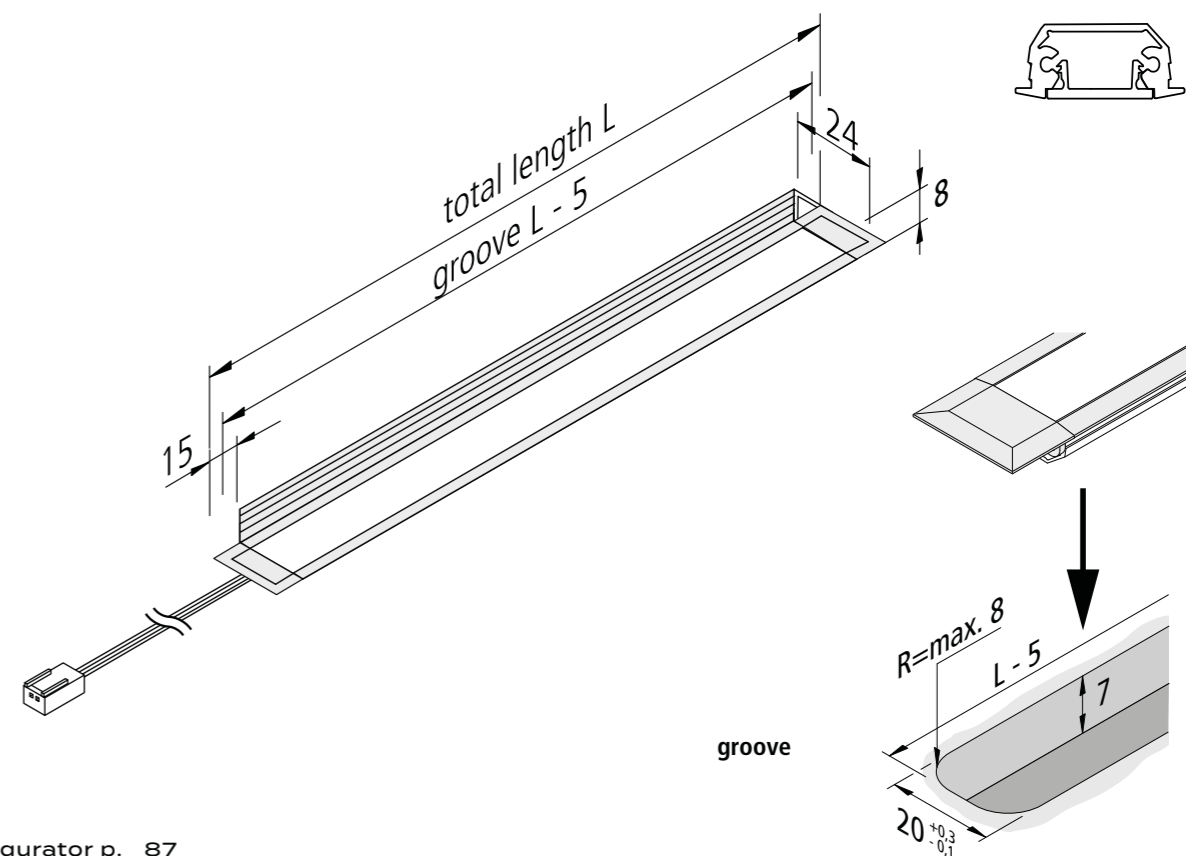


Connection: LED transformer DC 24 V
Life: L70/B10 ≥ 50.000 hours
Energy efficiency: LED 120 lm/W; luminaire: **1029 lm/m** (55 lm/W)
Colour rendering: Ra/CRI > 95

LED IN-Stick MF			
		ww	nw
0,5m	Ø 560	1444 lx	1548 lx
1,0m	Ø 1120	361 lx	387 lx
1,5m	Ø 1680	160 lx	172 lx
2,0m	Ø 2240	90 lx	97 lx
2,5m	Ø 2800	58 lx	62 lx

Special features:

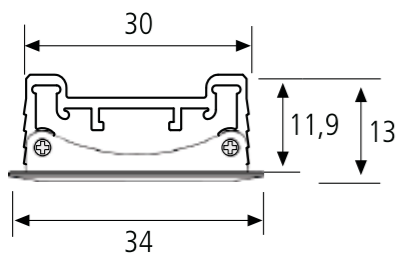
- only 7 mm depth of the groove
- no visible luminous spots



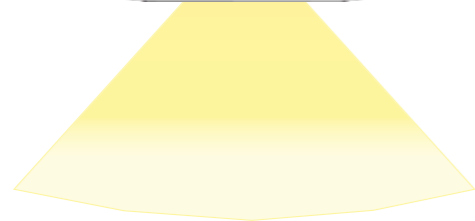
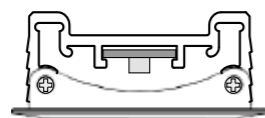
Configurator p. 87



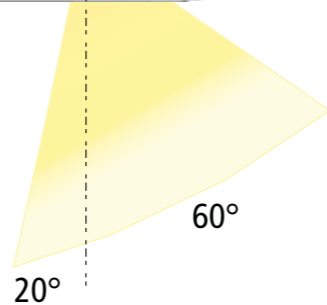
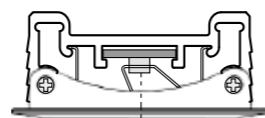
Illustration	Article No.	Description	Features	Weight approx.	
	610 025 501 02	LED IN-Stick MF 330mm 5,8W ww	<ul style="list-style-type: none"> • colour appearance ww (warm white) approx. 3000K • supply cable 2,5m with LED 24 plug • anodized aluminium • for milled grooves 7 x 20mm • further versions from 1 piece 	75 g	
	610 025 502 02	LED IN-Stick MF 530mm 9,6W ww		105 g	
	610 025 503 02	LED IN-Stick MF 830mm 15,1W ww		170 g	
	610 025 504 02	LED IN-Stick MF 1130mm 20,4W ww		225 g	
	610 025 501 03	LED IN-Stick MF 330mm 5,8W nw	<ul style="list-style-type: none"> • colour appearance nw (neutral white) approx. 4000K • supply cable 2,5m with LED 24 plug • anodized aluminium • for milled grooves 7 x 20mm • further versions from 1 piece 	75 g	
	610 025 502 03	LED IN-Stick MF 530mm 9,6W nw		105 g	
	610 025 503 03	LED IN-Stick MF 830mm 15,1W nw		170 g	
	610 025 504 03	LED IN-Stick MF 1130mm 20,4W nw		225 g	
	Accessories	LED transformers 24V from page 248 / dim-controllers page 256			



LED IN-Stick H



LED IN-Stick HR



IN-STICK H / HR

Flat and powerful recessed LED luminaire



Connection: LED transformer DC 24 V
Life: L70/B10 ≥ 60.000 hours
Energy efficiency: LED 113 lm/W; luminaire: 1342 lm/m (54 lm/W)
Colour rendering: Ra/CRI > 95

LED IN-Stick H		ww	nw
0,5m	∅ 560	2640 lx	2720 lx
1,0m	∅ 1120	660 lx	680 lx
1,5m	∅ 1680	293 lx	302 lx
2,0m	∅ 2240	165 lx	170 lx
2,5m	∅ 2800	106 lx	109 lx

Special features:

- only 12 mm depth of the groove
- version HR with reflector for asymmetrical illumination

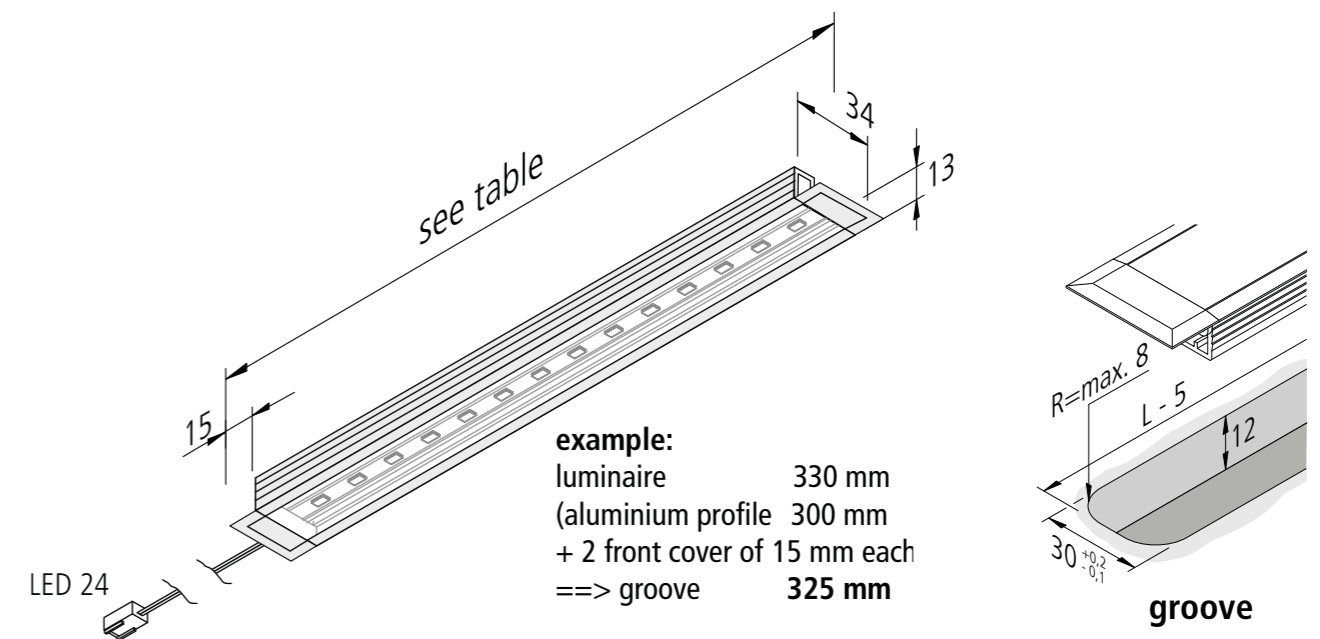
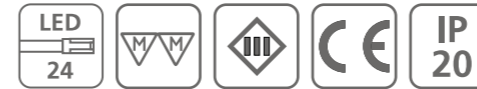


Illustration	Article No.	Description	Features	Weight approx.
	610 014 101 02	LED IN-Stick H 330mm 7,5W ww	• colour appearance ww (warm white) approx. 3000K	145 g
	610 014 102 02	LED IN-Stick H 530mm 12,5W ww	• supply cable 2,5m with LED 24 plug	220 g
	610 014 103 02	LED IN-Stick H 830mm 20,0W ww	• anodized aluminium	330 g
	610 014 104 02	LED IN-Stick H 1130mm 27,5W ww	• for milled grooves 12 x 30mm	445 g
	610 014 101 01	LED IN-Stick H 330mm 7,5W nw	• further versions from 10 pieces on request	445 g
	610 014 102 01	LED IN-Stick H 530mm 12,5W nw	• colour appearance nw (neutral white) approx. 4000K	145 g
	610 014 103 01	LED IN-Stick H 830mm 20,0W nw	• supply cable 2,5m with LED 24 plug	220 g
	610 014 104 01	LED IN-Stick H 1130mm 27,5W nw	• anodized aluminium	330 g
	610 014 121 02	LED IN-Stick HR 330mm 7,5W ww	• for milled grooves 12 x 30mm	445 g
	610 014 122 02	LED IN-Stick HR 530mm 12,5W ww	• with clear cover and reflector for asymmetrical illumination	330 g
	610 014 123 02	LED IN-Stick HR 830mm 20,0W ww	• further versions from 10 pieces on request	445 g
	610 014 124 02	LED IN-Stick HR 1130mm 27,5W ww	• colour appearance ww (warm white) approx. 3000K	145 g
	610 014 121 01	LED IN-Stick HR 330mm 7,5W nw	• Connecting cable 2,5m with LED 24 plug (right)	220 g
	610 014 122 01	LED IN-Stick HR 530mm 12,5W nw	• for milled grooves 12 x 30mm	330 g
	610 014 123 01	LED IN-Stick HR 830mm 20,0W nw	• with clear cover and reflector for asymmetrical illumination	330 g
	610 014 124 01	LED IN-Stick HR 1130mm 27,5W nw	• further versions from 10 pieces on request	445 g
Accessories	LED transformers 24V from page 248 / dim-controllers page 256			



TOP-STICK H / HR

Powerful LED under cabinet luminaire



Connection: LED transformer DC 24 V
Life: L70/B10 ≥ 60.000 hours
Energy efficiency: LED 113 lm/W; luminaire: **1302 lm/m** (52 lm/W)
Colour rendering: Ra/CRI > 95

LED Top-Stick H		ww	nw
0,5m	100° Ø 610	2580 lx	2680 lx
1,0m	Ø 1220	645 lx	670 lx
1,5m	Ø 1830	287 lx	298 lx
2,0m	Ø 2440	161 lx	168 lx
2,5m	Ø 3050	103 lx	107 lx

Special features:

- only 12 mm thickness
- easy mounting with concealed mounting clips
- version HR with reflector for asymmetrical illumination

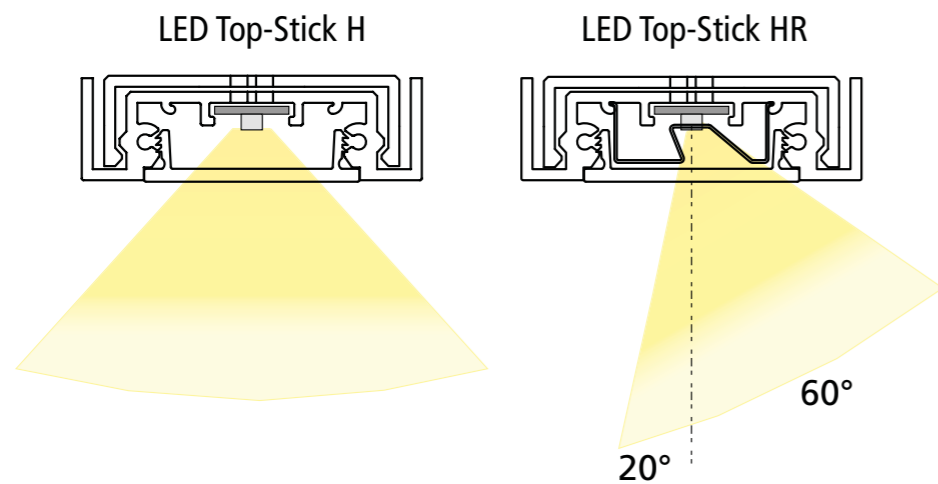
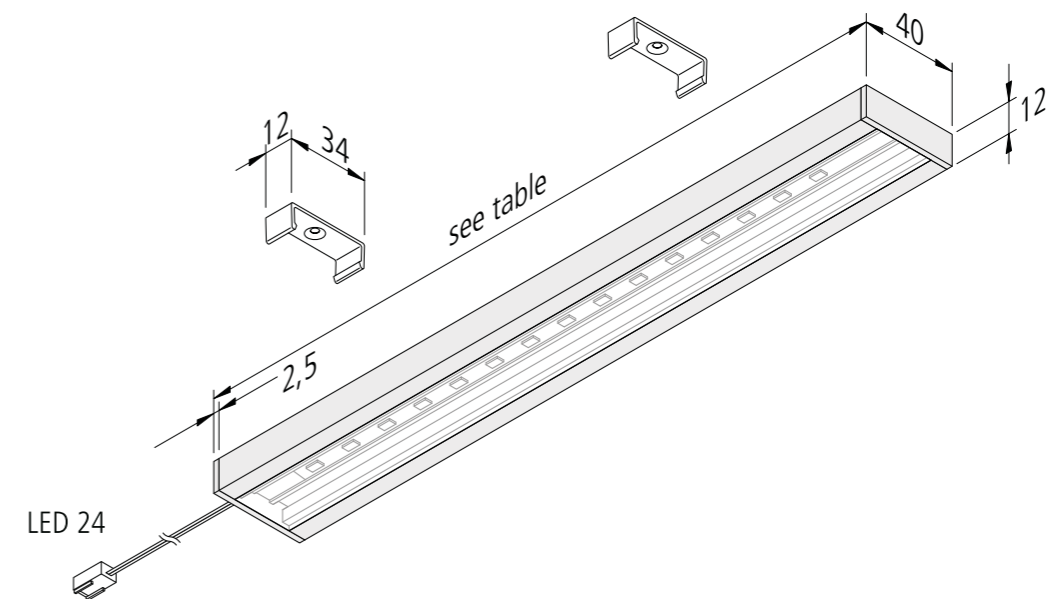


Illustration	Article No.	Description	Features	Weight approx.
	610 014 201 02	LED Top-Stick H 310mm 7,5W ww	<ul style="list-style-type: none"> • colour appearance ww (warm white) appr. 3000K • supply cable 2,5m with LED 24 plug • anodized aluminium • further versions from 10 pieces on request 	165 g
	610 014 202 02	LED Top-Stick H 610mm 15,0W ww		300 g
	610 014 203 02	LED Top-Stick H 910mm 22,5W ww		430 g
	610 014 204 02	LED Top-Stick H 1210mm 30,0W ww		560 g
	610 014 201 01	LED Top-Stick H 310mm 7,5W nw	<ul style="list-style-type: none"> • colour appearance nw (neutral white) appr. 4000K • supply cable 2,5m with LED 24 plug • anodized aluminium • further versions from 10 pieces on request 	165 g
	610 014 202 01	LED Top-Stick H 610mm 15,0W nw		300 g
	610 014 203 01	LED Top-Stick H 910mm 22,5W nw		430 g
	610 014 204 01	LED Top-Stick H 1210mm 30,0W nw		560 g
	610 014 221 02	LED Top-Stick HR 310mm 7,5W ww	<ul style="list-style-type: none"> • colour appearance ww (warm white) appr. 3000K • supply cable 2,5m with LED 24 plug (right) • with clear cover and reflector for asymmetrical illumination • further versions from 10 pieces on request 	165 g
	610 014 222 02	LED Top-Stick HR 610mm 15,0W ww		300 g
	610 014 223 02	LED Top-Stick HR 910mm 22,5W ww		430 g
	610 014 224 02	LED Top-Stick HR 1210mm 30,0W ww		560 g
	610 014 221 01	LED Top-Stick HR 310mm 7,5W nw	<ul style="list-style-type: none"> • colour appearance nw (neutral white) appr. 4000K • Connecting cable 2,5m with LED 24 plug (right) • with clear cover and reflector for asymmetrical illumination • further versions from 10 pieces on request 	165 g
	610 014 222 01	LED Top-Stick HR 610mm 15,0W nw		300 g
	610 014 223 01	LED Top-Stick HR 910mm 22,5W nw		430 g
	610 014 224 01	LED Top-Stick HR 1210mm 30,0W nw		560 g
Accessories	LED transformers 24V from page 248 / dim-controllers page 256			

Introduction

Power supply track system

Linear luminaires

Recessed and surface mounted luminaires

Showcase and over cabinet luminaires

Under cabinet luminaires

Accessories

Appendix

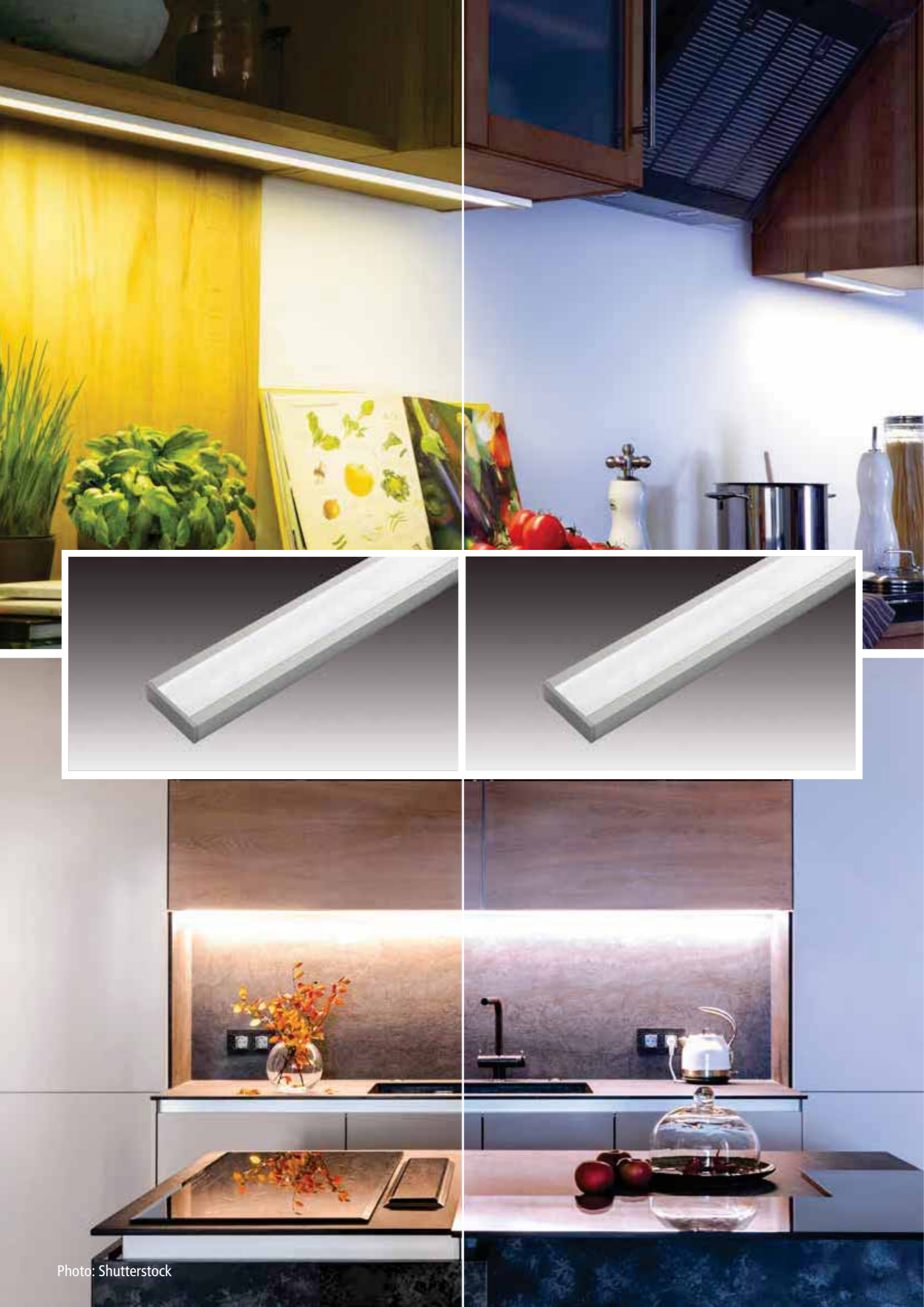


Photo: Shutterstock

DYNAMIC TOP-STICK F

LED under cabinet luminaire with adjustable colour appearance



Connection: LED transformer DC 24 V
Life: L70/B10 ≥ 50.000 hours
Energy efficiency: LED 129 lm/W; luminaire: 830 lm/m (52 lm/W)
Colour rendering: Ra/CRI > 82

Dynamic LED Top-Stick F			
	xw	nw	cw
0,5m	1848 lx	1980 lx	2116 lx
1,0m	462 lx	495 lx	529 lx
1,5m	205 lx	220 lx	235 lx
2,0m	116 lx	124 lx	132 lx
2,5m	74 lx	79 lx	85 lx

Special features:

- only 12 mm thickness
- no visible luminous spots
- colour appearance adjustable between approx. 2700 K (xw) and 5000 K (cw)

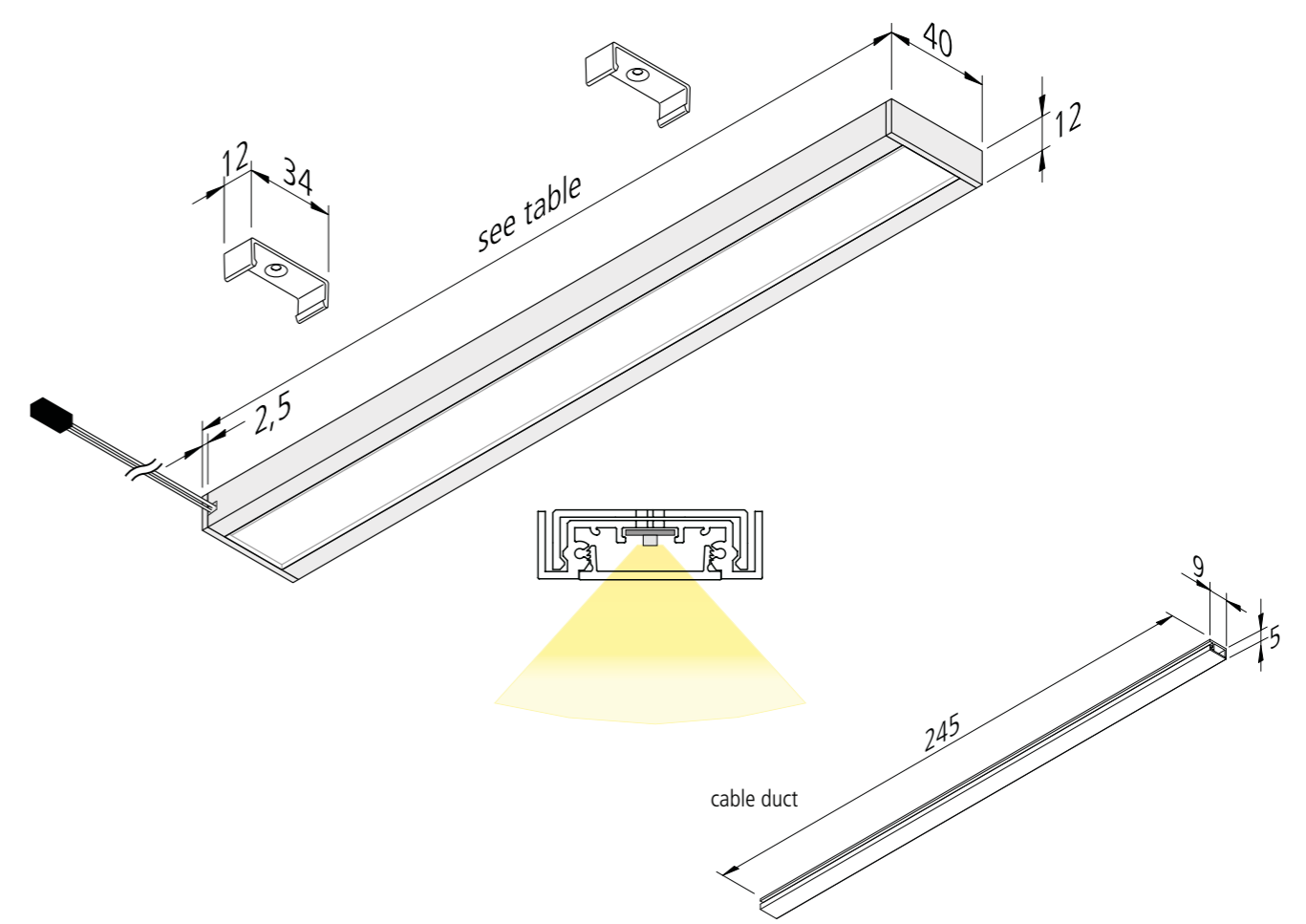
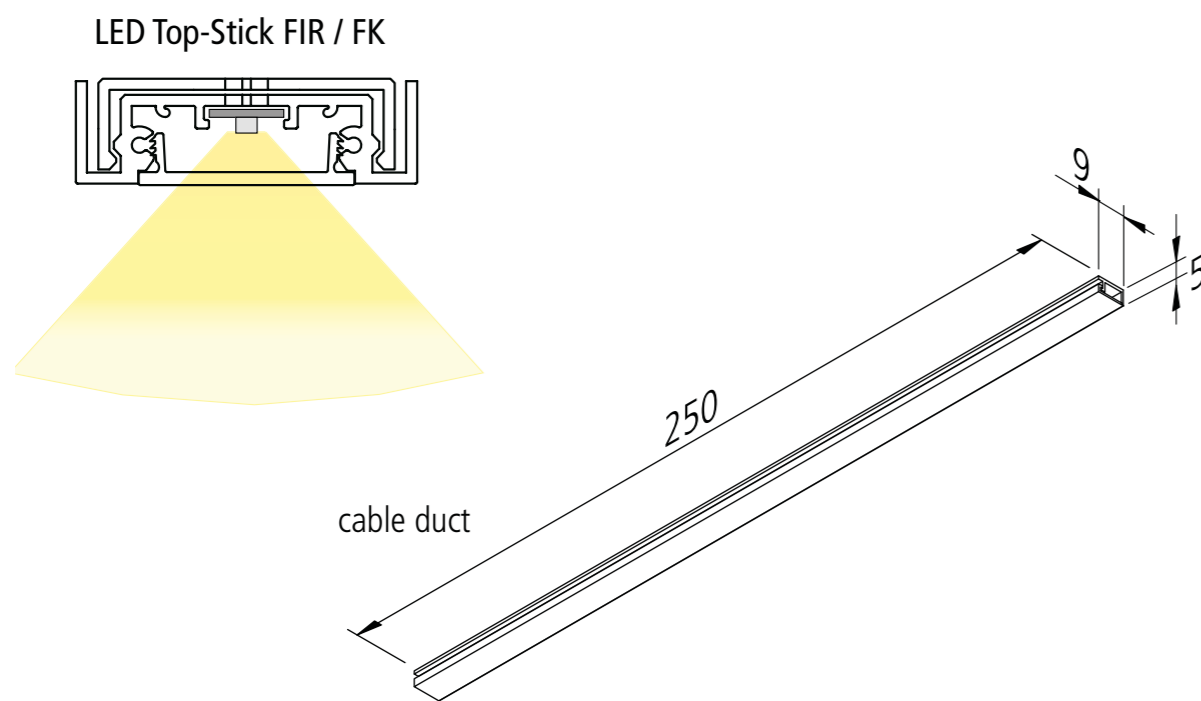


Illustration	Article No.	Description	Features	Weight approx.
	610 018 441 01	Dynamic LED Top-Stick FK 450mm 6,8W	<ul style="list-style-type: none"> • colour appearance adjustable between appr. 2700K and 5000K • supply cable 2,5m with Dynamic plug (rear cable outlet) • anodized aluminium • incl. 245mm self adhesive cable duct, white (for centred mounting) • further versions from 10 pieces on request 	225 g
	610 018 442 01	Dynamic LED Top-Stick FK 600mm 9,5W		300 g
	610 018 443 01	Dynamic LED Top-Stick FK 900mm 14,4W		430 g
	610 018 444 01	Dynamic LED Top-Stick FK 1200mm 19,2W		560 g
Accessories	LED transformers 24V from page 248 / Dynamic-controllers page 255			



TOP-STICK FIR / FK

LED under cabinet luminaire with homogeneous planar light



Connection: LED transformer DC 24 V
Life: L70/B10 ≥ 60.000 hours
Energy efficiency: LED 107 lm/W; luminaire: **1100 lm/m** (51 lm/W)
Colour rendering: Ra/CRI > 95

LED Top-Stick F		ww	nw
0,5m	Ø 610	1532 lx	1640 lx
1,0m	Ø 1220	383 lx	410 lx
1,5m	Ø 1830	170 lx	182 lx
2,0m	Ø 2440	96 lx	103 lx
2,5m	Ø 3050	61 lx	66 lx

Special features:

- only 12 mm thickness
- anodized aluminium
- no visible luminous spots
- IR dimmer (to switch and dim) with memory function (after cut off from mains the last brightness is recovered)

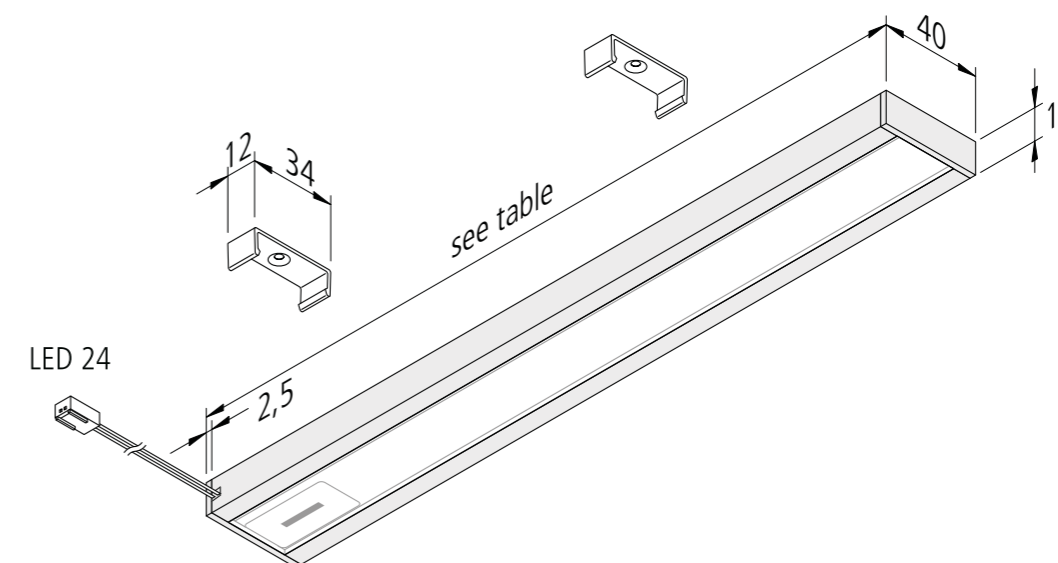
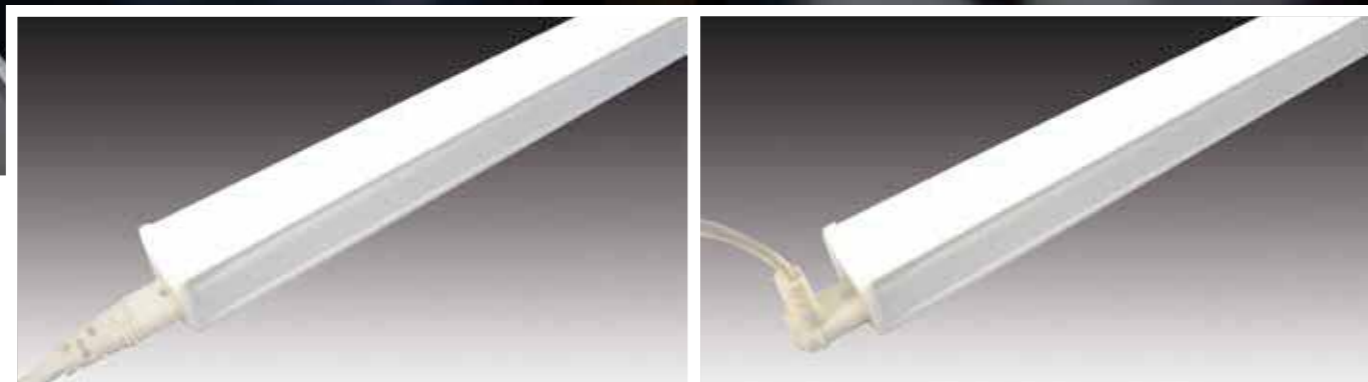


Illustration	Article No.	Description	Features	Weight approx.
	610 014 251 02	LED Top-Stick FIR 450mm 7,1W ww	<ul style="list-style-type: none"> • colour appearance ww (warm white) appr. 3000K • supply cable 2,5m with LED 24 plug (rear cable outlet) • incl. 250mm self adhesive cable duct, white • incl. touch-less sensor dimmer and orientation LED 	225 g
	610 014 252 02	LED Top-Stick FIR 600mm 10,1W ww		300 g
	610 014 253 02	LED Top-Stick FIR 900mm 15,6W ww		430 g
	610 014 254 02	LED Top-Stick FIR 1200mm 20,9W ww		560 g
	610 014 251 03	LED Top-Stick FIR 450mm 7,1W nw	<ul style="list-style-type: none"> • colour appearance nw (neutral white) appr. 4000K • supply cable 2,5m with LED 24 plug (rear cable outlet) • incl. 250mm self adhesive cable duct, white • incl. touch-less sensor dimmer and orientation LED 	225 g
	610 014 252 03	LED Top-Stick FIR 600mm 10,1W nw		300 g
	610 014 253 03	LED Top-Stick FIR 900mm 15,6W nw		430 g
	610 014 254 03	LED Top-Stick FIR 1200mm 20,9W nw		560 g
	610 014 241 02	LED Top-Stick FK 450mm 8,0W ww	<ul style="list-style-type: none"> • colour appearance ww (warm white) appr. 3000K • supply cable 2,5m with LED 24 plug (rear cable outlet) • incl. 250mm self adhesive cable duct, white 	225 g
	610 014 242 02	LED Top-Stick FK 600mm 10,9W ww		300 g
	610 014 243 02	LED Top-Stick FK 900mm 16,6W ww		430 g
	610 014 244 02	LED Top-Stick FK 1200mm 21,8W ww		560 g
	610 014 241 03	LED Top-Stick FK 450mm 8,0W nw	<ul style="list-style-type: none"> • colour appearance nw (neutral white) appr. 4000K • supply cable 2,5m with LED 24 plug (rear cable outlet) • incl. 250mm self adhesive cable duct, white 	225 g
	610 014 242 03	LED Top-Stick FK 600mm 10,9W nw		300 g
	610 014 243 03	LED Top-Stick FK 900mm 16,6W nw		430 g
	610 014 244 03	LED Top-Stick FK 1200mm 21,8W nw		560 g
Accessories	LED transformers 24V from page 248 / dim-controllers page 256			

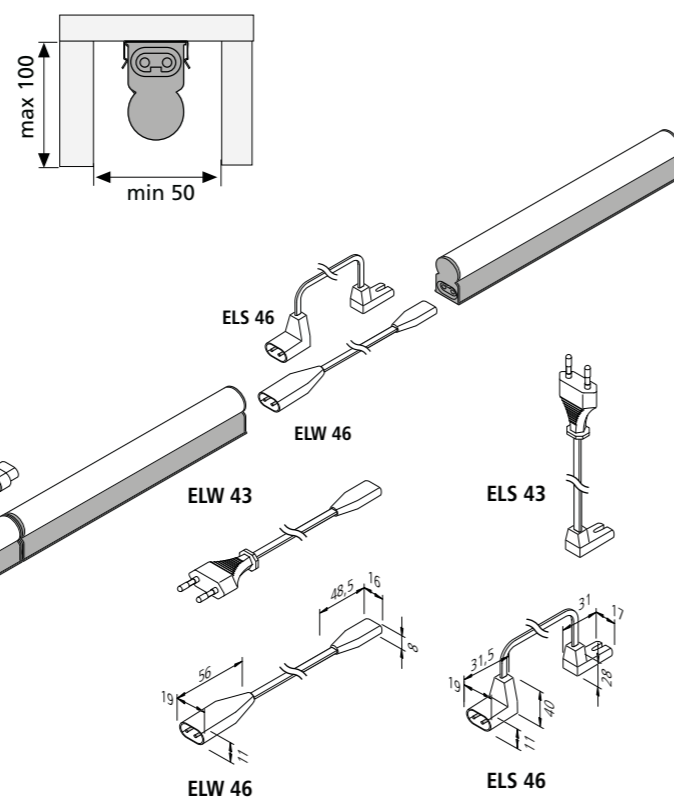


Photo: Cornelsen



L:	300 mm	600 mm	900 mm	1150 mm	1420 mm
Wattage:	4,0 W	7,0 W	11,0 W	14,0 W	18,0 W
No.*:	50	28	18	14	11

* total lamp output in one strip light maximum 200 W, maximum 3 strip lights on one N-circuit breaker 16A, single pole, type



ECOLITE F / HO

LED linear luminaire for 230 V



Connection: 220 - 240V / 50 - 60Hz
Life: L70/B10 ≥ 50.000 hours
Energy efficiency: LED 118/135 lm/W;
 luminaire: **1100/1600 lm/m**
 (90/110 lm/W)

Colour rendering: Ra/CRI > 80

LED EcoLite F		ww	nw	LED EcoLite F HO		ww	nw
0,5m	Ø 825	1400 lx	1500 lx	0,5m	Ø 825	2036 lx	2180 lx
1,0m	Ø 1650	350 lx	375 lx	1,0m	Ø 1650	509 lx	545 lx
1,5m	Ø 2475	156 lx	167 lx	1,5m	Ø 2475	226 lx	242 lx
2,0m	Ø 3300	88 lx	94 lx	2,0m	Ø 3300	127 lx	136 lx
2,5m	Ø 4125	56 lx	60 lx	2,5m	Ø 4125	81 lx	87 lx

Special features:

- rigid connector for minimum spacing between luminaires

Illustration	Article No.	Description	Features	Weight approx.	
	202 029 801 02	LED EcoLite F 300mm 4W ww	• colour appearance ww (warm white) approx. 3000K • incl. mounting clip • incl. coupling	71 g	
	202 029 802 02	LED EcoLite F 600mm 7W ww		114 g	
	202 029 803 02	LED EcoLite F 900mm 11W ww		150 g	
	202 029 804 02	LED EcoLite F 1150mm 14W ww		190 g	
	202 029 805 02	LED EcoLite F 1440mm 18W ww		229 g	
	202 029 801 03	LED EcoLite F 300mm 4W nw	• colour appearance nw (neutral white) approx. 4000K • incl. mounting clip • incl. coupling	71 g	
	202 029 802 03	LED EcoLite F 600mm 7W nw		114 g	
	202 029 803 03	LED EcoLite F 900mm 11W nw		150 g	
	202 029 804 03	LED EcoLite F 1150mm 14W nw		190 g	
	202 029 805 03	LED EcoLite F 1440mm 18W nw		229 g	
	202 032 601 02	LED EcoLite F HO 300mm 4,5W ww	NEW	• colour appearance ww (warm white) approx. 3000K • incl. mounting clip • incl. coupling	71 g
	202 032 602 02	LED EcoLite F HO 600mm 8,5W ww	NEW		114 g
	202 032 603 02	LED EcoLite F HO 900mm 12,5W ww	NEW		150 g
	202 032 604 02	LED EcoLite F HO 1150mm 16,5W ww	NEW		190 g
	202 032 605 02	LED EcoLite F HO 1440mm 21,5W ww	NEW		229 g
	202 032 601 03	LED EcoLite F HO 300mm 4,5W nw	NEW	• colour appearance nw (neutral white) approx. 4000K • incl. mounting clip • incl. coupling	71 g
	202 032 602 03	LED EcoLite F HO 600mm 8,5W nw	NEW		114 g
	202 032 603 03	LED EcoLite F HO 900mm 12,5W nw	NEW		150 g
	202 032 604 03	LED EcoLite F HO 1150mm 16,5W nw	NEW		190 g
	202 032 605 03	LED EcoLite F HO 1440mm 21,5W nw	NEW		229 g
	215 480 318 01	ELW 43/1800 mains cable with Euro plug 1,8m	• horizontal luminaire connection	88 g	
	215 480 601 01	ELW 46/ 150 connecting cable 0,15m	• horizontal luminaire connection	20 g	
	215 480 603 01	ELW 46/ 300 connecting cable 0,3m		23 g	
	215 480 606 01	ELW 46/ 600 connecting cable 0,6m		35 g	
	215 480 612 01	ELW 46/1200 connecting cable 1,2m		57 g	
	215 480 618 01	ELW 46/1800 connecting cable 1,8m		80 g	
	215 481 318 01	ELS 43/1800 mains cable with Euro plug 1,8m	• vertical luminaire connection	88 g	
	215 481 601 01	ELS 46/ 150 connecting cable 0,15m	• vertical luminaire connection	20 g	
	215 481 603 01	ELS 46/ 300 connecting cable 0,3m		23 g	
	215 481 606 01	ELS 46/ 600 connecting cable 0,6m		35 g	
	215 481 612 01	ELS 46/1200 connecting cable 1,2m		57 g	
	215 481 618 01	ELS 46/1800 connecting cable 1,8m		80 g	
	202 040 108 50	Mounting clip EcoLite F with magnet, set of 2	NEW	17 g	

Introduction

Power supply track system

Linear luminaires

Recessed and surface mounted luminaires

Showcase and over cabinet luminaires

Under cabinet luminaires

Accessories

Appendix



SLIMLITE® CS LED HE+

Highly efficient rotating LED linear luminaire for 230 V



Connection: 220 - 240V / 50 - 60Hz
Life: L70/B10 ≥ 60.000 hours
Energy efficiency: LED 80 lm/W; luminaire: 550 lm/m (55 lm/W)
Colour rendering: Ra/CRI > 85

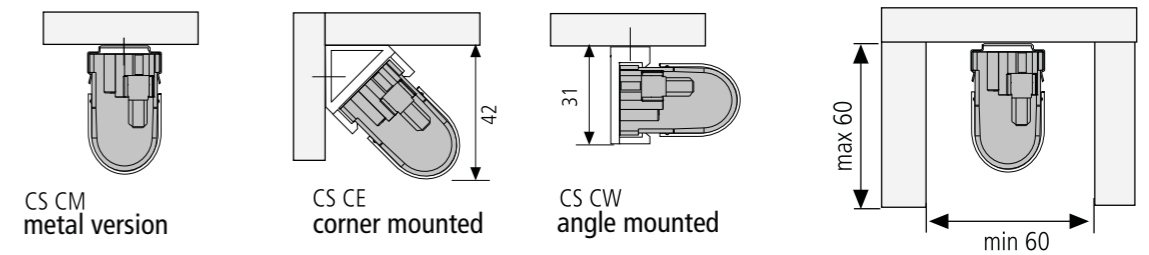
SlimLite® CS LED HE+		Meat R
0,5m	Ø 610	780 lx
1,0m	Ø 1220	195 lx
1,5m	Ø 1830	87 lx
2,0m	Ø 2440	49 lx
2,5m	Ø 3050	31 lx

Special features:

- LEDs rotating 180°
- rigid connectors for minimum spacing between luminaires
- vertical plug-in system allows later removal from the strip light
- many accessories

Assembly instructions

mounting arrangement with admissible clearances



Lamp output:	Anzahl LED	Length L	Length L1	Number* per strip light
5,8W HE+	24	595	583	28
8,9W HE+	36	895	883	28
10,3W HE+	48	1195	1183	28

* maximum number of luminaires per strip light (maximum 3 strip lights, HVLCS V 6-waydistributor maximum 2,5A total) on one N-circuit breaker 16A, single pole, type B. Total lamp output in one strip light maximum 400W.

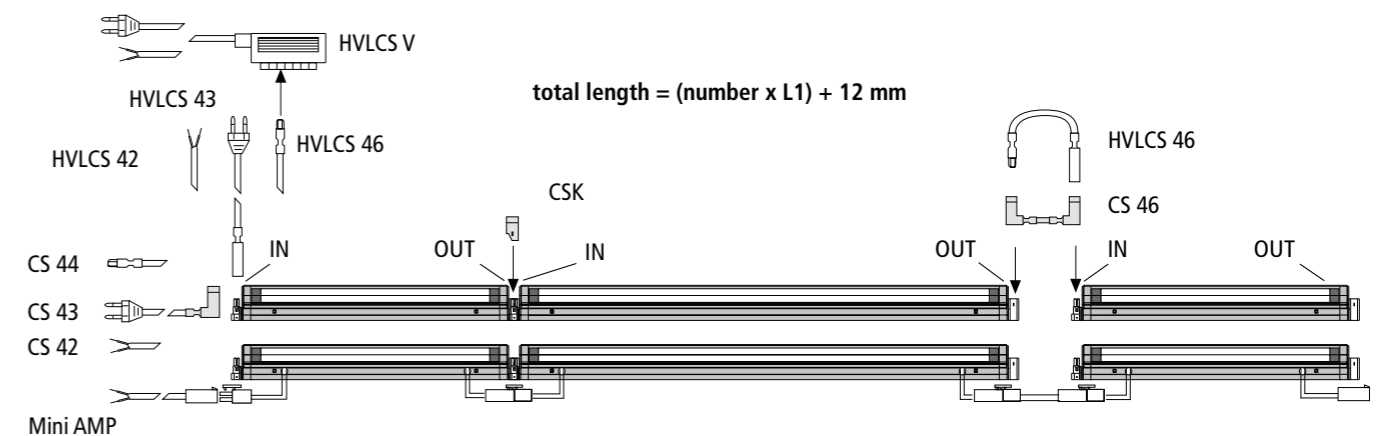
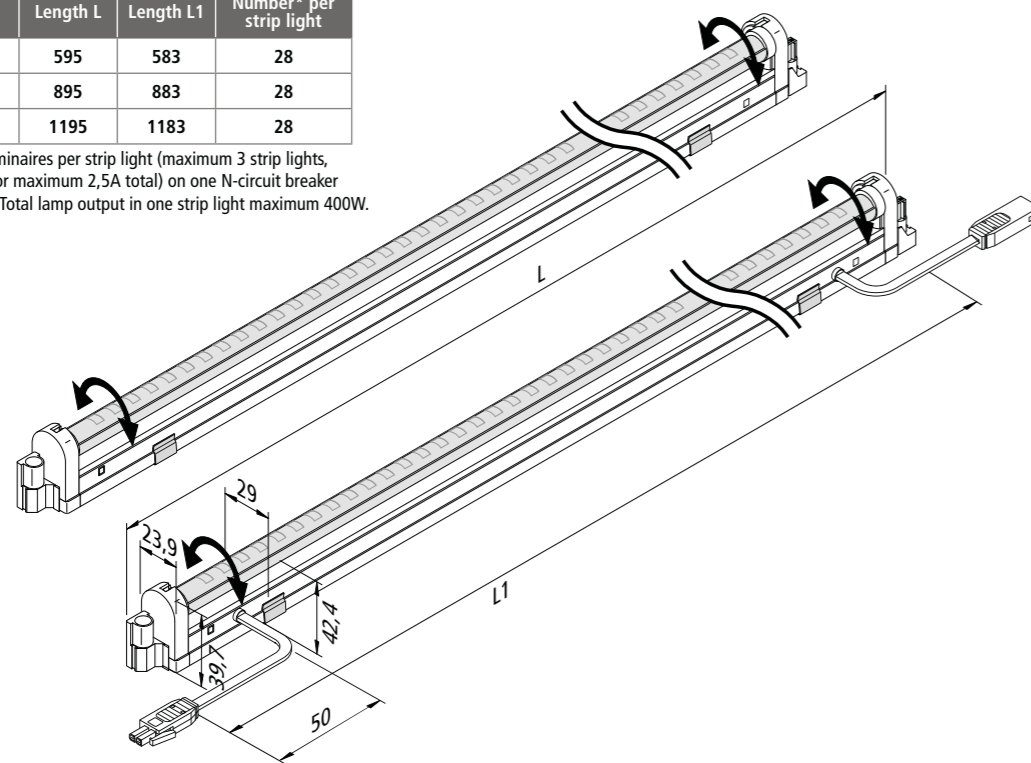


Illustration	Article No.	Description	Features	Weight approx.
	610 012 941 05	SlimLite CS LED HE+ 595mm 5,8W Meat R	<ul style="list-style-type: none"> • colour appearance Meat R • casing material: aluminium/ • incl. mounting clip CS CM • mains cables page 131 	400 g
	610 012 942 05	SlimLite CS LED HE+ 895mm 8,9W Meat R		580 g
	610 012 943 05	SlimLite CS LED HE+ 1195mm 10,3W Meat R		750 g
	Accessories	connecting cables page 131		

SLIMLITE® CS LED HO+ / HO+ DIMMBAR

Highly efficient rotating LED linear luminaire for 230 V



Connection: 220 - 240V / 50 - 60Hz
Life: L70/B10 ≥ 60.000 hours
Energy efficiency: LED 120 lm/W; luminaire: **1670 lm/m** (100 lm/W)
Colour rendering: Ra/CRI > 95

SlimLite® CS LED HO+				
		xw	ww	nw
0,5m	Ø 610	2600 lx	2700 lx	2880 lx
1,0m	Ø 1220	650 lx	675 lx	720 lx
1,5m	Ø 1830	289 lx	300 lx	320 lx
2,0m	Ø 2440	163 lx	169 lx	180 lx
2,5m	Ø 3050	104 lx	108 lx	115 lx

Special features:

- LEDs rotating 180°
- rigid connectors for minimum spacing between luminaires
- vertical plug-in system allows later removal from the strip light
- many accessories

Assembly instructions: see SlimLite® CS HE+



Lamp output:	No.LED	Length L	Length L1	Number* per strip light
5,8W HO+	18	335	323	28
13,8W HO+	36	595	583	28
18,0W HO+	52	895	883	28
24,7W HO+	72	1195	1183	25

* maximum number of luminaires per strip light (maximum 3 strip lights, HVLCs V 6-way distributor maximum 2,5A total) on one N-circuit breaker 16A, single pole, type B

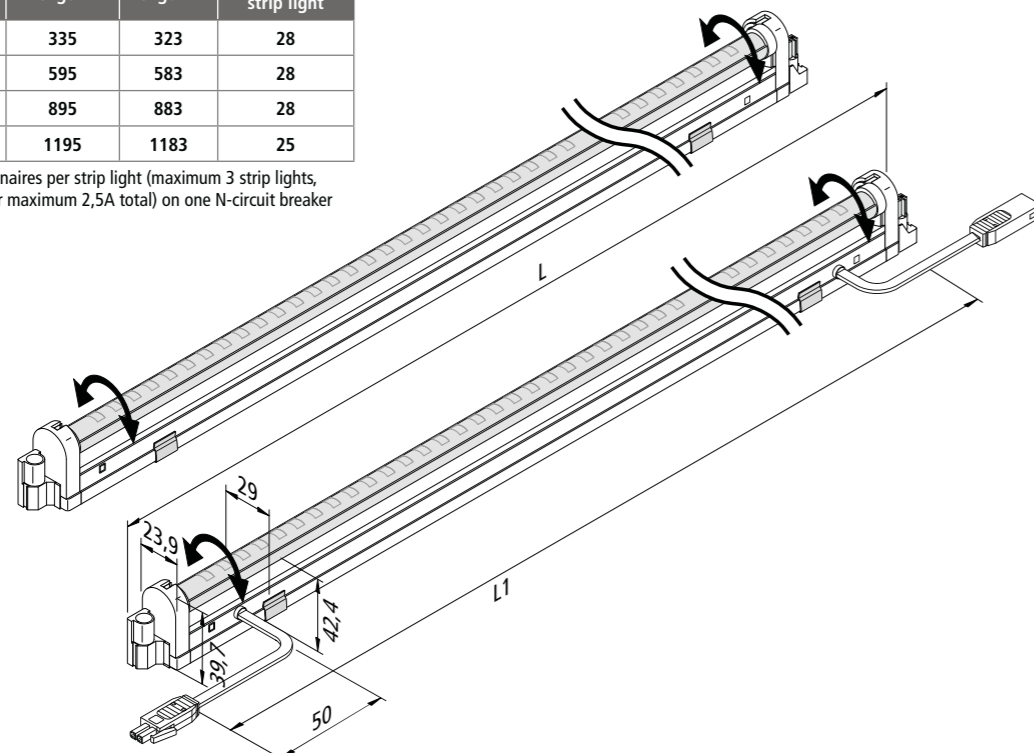


Illustration	Article No.	Description	Features	Weight approx.
	610 012 920 04	SlimLite CS LED HO+ 335mm 5,8W xw	• colour appearance xw (extra warm white) appr. 2700K • casing material: aluminium • incl. mounting clip CS CM • mains cables page 131	230 g
	610 012 921 04	SlimLite CS LED HO+ 595mm 13,8W xw		400 g
	610 012 922 04	SlimLite CS LED HO+ 895mm 18,0W xw		580 g
	610 012 923 04	SlimLite CS LED HO+ 1195mm 24,7W xw		750 g
	610 012 920 02	SlimLite CS LED HO+ 335mm 5,8W ww	• colour appearance ww (warm white) appr. 3000K • casing material: aluminium • incl. mounting clip CS CM • mains cables page 131	230 g
	610 012 921 02	SlimLite CS LED HO+ 595mm 13,8W ww		400 g
	610 012 922 02	SlimLite CS LED HO+ 895mm 18,0W ww		580 g
	610 012 923 02	SlimLite CS LED HO+ 1195mm 24,7W ww		750 g
	610 012 920 01	SlimLite CS LED HO+ 335mm 5,8W nw	• colour appearance nw (neutral white) appr. 4000K • casing material: aluminium • incl. mounting clip CS CM • mains cables page 131	230 g
	610 012 921 01	SlimLite CS LED HO+ 595mm 13,8W nw		400 g
	610 012 922 01	SlimLite CS LED HO+ 895mm 18,0W nw		580 g
	610 012 923 01	SlimLite CS LED HO+ 1195mm 24,7W nw		750 g
	610 012 931 02	SlimLite CS LED HO+ 595mm 13,8W ww dimmable (1-10V)	• colour appearance ww (warm white) appr. 3000K • aluminium casing • incl. mounting clip CS CM • Dim range 10-100% / -current < 1,5mA • Dimmer page 156 • mains cable page 131 • 1-10V connecting cable see below	400 g
	610 012 932 02	SlimLite CS LED HO+ 895mm 18,0W ww dimmable (1-10V)		580 g
	610 012 933 02	SlimLite CS LED HO+ 1195mm 24,7W ww dimmable (1-10V)		750 g
	610 012 931 03	SlimLite CS LED HO+ 595mm 13,8W nw dimmable (1-10V)	• colour appearance nw (neutral white) appr. 4000K • aluminium casing • incl. mounting clip CS CM • Dim range 10-100% / -current < 1,5mA • Dimmer page 156 • mains cable page 131 • 1-10V connecting cable see below	400 g
	610 012 932 03	SlimLite CS LED HO+ 895mm 18,0W nw dimmable (1-10V)		580 g
	610 012 933 03	SlimLite CS LED HO+ 1195mm 24,7W nw dimmable (1-10V)		750 g
	506 180 401 01	Mounting dimmer switch (1-10V)	• dimmer cable 2m with Mini AMP-socket	95 g
	215 032 205 01	Mini AMP 1-10V mains cable 1,0m	• with ferrules	35 g
	215 032 202 60	Mini AMP 1-10V connecting cable 0,15m	• for dimmable version 1 - 10V	10 g
	215 032 202 70	Mini AMP 1-10V connecting cable 0,3m		15 g
	215 032 202 80	Mini AMP 1-10V connecting cable 0,6m		25 g
	215 032 202 90	Mini AMP 1-10V connecting cable 1,2m		45 g
	215 032 202 02	Mini AMP 1-10V connecting cable 1,8m		65 g
	Accessories			

SLIMLITE® CS ACCESSORIES

Accessories for all SlimLite® CS types

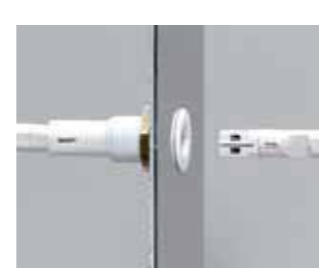
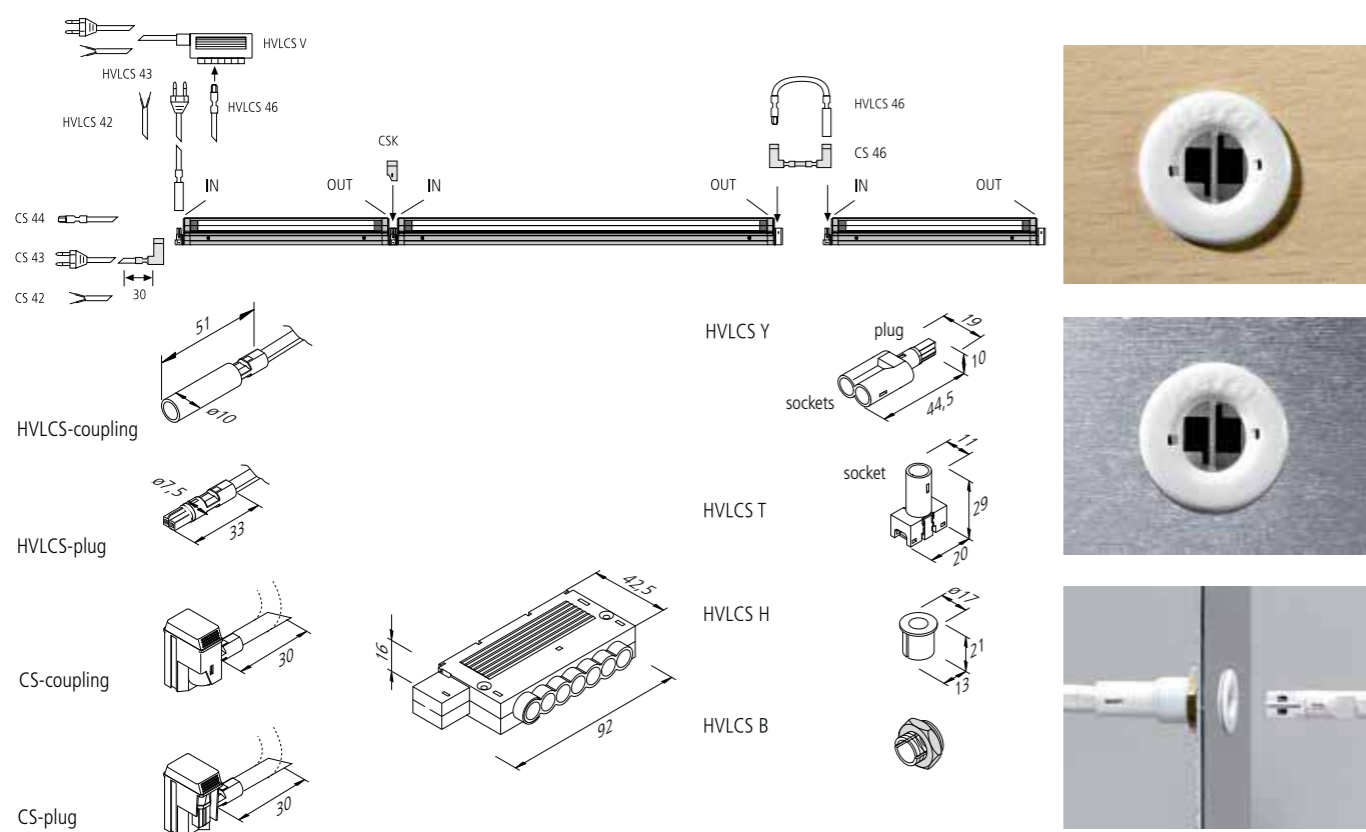
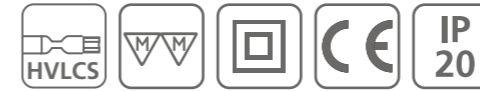


Illustration	Article No.	Description	Features	Weight approx.
CS 42	215 260 218 01	CS 42/1800 mains cable with AE 1,8m	<ul style="list-style-type: none"> horizontal luminaire connection with AE (ferrules), Euro (Euro plug), S (switch), Schuko (Shockproof plug loose) or HVLCS plug 	70 g
	215 260 230 01	CS 42/3000 mains cable with AE 3m		100 g
CS 43	215 260 318 01	CS 43/1800 mains cable with Euro 1,8m		90 g
	215 260 318 04	CS 43/1800 mains cable with Euro+S 1,8m		120 g
CS 43+S	215 260 330 01	CS 43/3000 mains cable with Schuko 3m		130 g
	215 260 405 01	CS 44/ 500 mains cable with HVLCS 0,5m		25 g
CS 44	215 260 418 01	CS 44/1800 mains cable with HVLCS 1,8m		70 g
	215 260 601 01	CS 46/ 150 connecting cable 0,15m		15 g
CS 46	215 260 603 01	CS 46/ 300 connecting cable 0,3m		20 g
	215 260 606 01	CS 46/ 600 connecting cable 0,6m		30 g
CSK	215 260 612 01	CS 46/1200 connecting cable 1,2m		50 g
	215 260 618 01	CS 46/1800 connecting cable 1,8m		70 g
CSK	215 260 000 01	CSK connecting coupling		4 g
	215 120 507 01	Adaptor cable XL-plug / CS-socket 0,1m		<ul style="list-style-type: none"> to connect a CS on a XL outlet
	215 120 507 02	Adaptor cable CS-plug / XL-socket 0,1m		<ul style="list-style-type: none"> to connect a XL on a CS outlet
HVLCS V	215 440 220 02	HVLCS 42/2000 mains cable with AE 2m	<ul style="list-style-type: none"> vertical luminaire connection with AE (ferrules) or Euro (Euro plug) 	70 g
	215 440 320 01	HVLCS 43/2000 mains cable with Euro 2m		90 g
	215 441 120 01	HVLCS V/2000 6-way distributor with Euro 2m		120 g
	215 440 601 01	HVLCS 46/ 150 connecting cable 0,15m		20 g
	215 440 605 01	HVLCS 46/ 500 connecting cable 0,5m		30 g
	215 440 610 01	HVLCS 46/1000 connecting cable 1m		45 g
HVLCS Y	215 440 615 01	HVLCS 46/1500 connecting cable 1,5m	60 g	
	215 440 620 01	HVLCS 46/2000 connecting cable 2m	75 g	
	215 441 300 01	HVLCS Y-distributor	<ul style="list-style-type: none"> with one plug and 2 sockets 	4 g
	215 441 400 01	HVLCS T-adaptor with one socket	<ul style="list-style-type: none"> can be snapped onto any part of the cable 	3 g
HVLCS H	215 441 500 01	HVLCS H wood flush-type socket	<ul style="list-style-type: none"> for wood from 10mm with 13mm drill hole 	1 g
	215 441 501 11	HVLCS B metal flush-type socket with nut	<ul style="list-style-type: none"> for metal from 0-18mm with 13mm drill hole 	4 g
CS CM	202 040 103 46	CS CM mounting clip metal version	<ul style="list-style-type: none"> 2 clips and 2 screws 	20 g
	202 040 103 42	CS CE mounting clip corner mounting 45°	<ul style="list-style-type: none"> 3 clips and 6 screws 	20 g
	202 040 103 43	CS CW mounting clip angle mounting 90°		20 g
CS Mounting	202 040 103 51	Mounting clip SlimLite CS with magnet, set of 2	NEW	17 g
	202 040 108 11	Mounting clip CS white for Vieler T5 profiles	<ul style="list-style-type: none"> 1 clip 	10 g
	202 040 108 21	Mounting clip CS white for Vieler T8 profiles		10 g

Introduction
Power supply track system
Linear luminaires
Recessed and surface mounted luminaires
Showcase and over cabinet luminaires
Under cabinet luminaires
Accessories
Appendix



Connection: 220 - 240V / 50 - 60Hz
Lamp: T5 (Ø16mm) High Efficiency fluorescent lamp, Ø life 20.000 hours
Energy efficiency: HE: 96 - 104 lm/W (14 - 35 W), HO: 83 - 93 lm/W (24 - 54 W)
Colour rendering: Ra/CRI = 80 - 89

Special features:

- flicker-free instant start and power-saving due to electronic ballast
- ideal for food industry applications due to plexiglass cover (splinter shield)
- rigid connector for minimal spacing between luminaires
- vertical plug-in system allows later removal from the strip light
- many accessories
- from 8 W version „screw-through“

HE - high efficiency Fluorescent luminaire with a high light output, designed to be efficient and economical

Assembly instructions: see SlimLite® CS HE+



Lamp output:	Length L	Length L1	Length L2	Number* per strip light
6W	259	247	-	66
8W	335	323	210	50
14W	595	583	471	28
21W	895	883	771	19
28W	1195	1183	1071	14
35W	1495	1483	1371	11

* maximum number of luminaires per strip light (maximum 5 strip lights, HVLC5 V 6-way distributor maximum 2,5A total) on one N-circuit breaker 16A, single pole, type B. Total lamp output in one strip light maximum 400W.

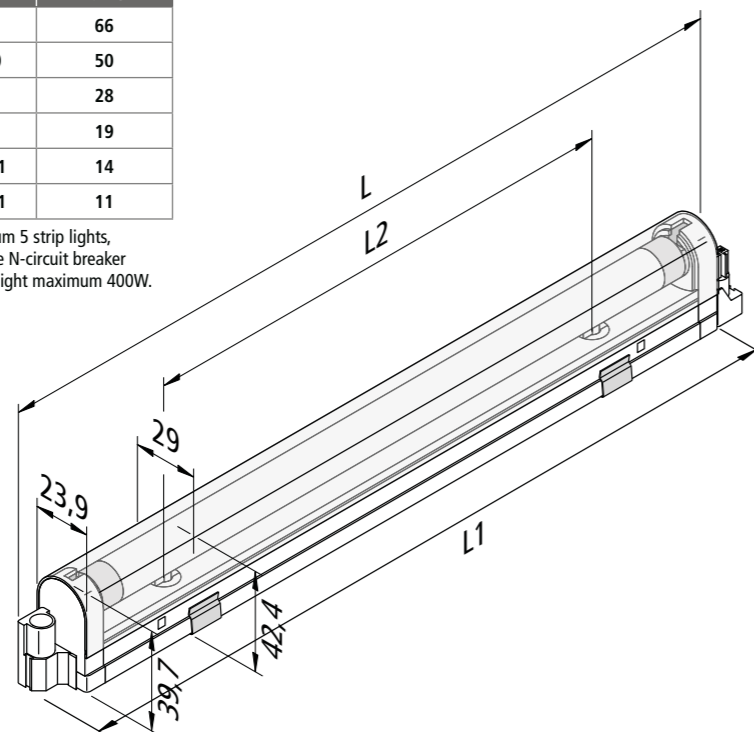


Illustration	Article No.	Description	Features	Weight approx.
	501 150 100 00	SlimLite CS 259mm 6W	<ul style="list-style-type: none"> • please order T5 lamps separately • plexiglass cover see below • from 8W „screw-through“ • aluminium casing • incl. mounting clip CS CM • mains cable page 131 	132 g
	501 150 200 00	SlimLite CS 335mm 8W		170 g
	501 150 300 00	SlimLite CS 595mm 14W HE		290 g
	501 150 400 00	SlimLite CS 895mm 21W HE		390 g
	501 150 500 00	SlimLite CS 1195mm 28W HE		500 g
	501 150 600 00	SlimLite CS 1495mm 35W HE		630 g
	203 011 802 01	CS-PL plexiglass cover 6W		20 g
	203 011 802 02	CS-PL plexiglass cover 8W		30 g
	203 011 802 03	CS-PL plexiglass cover 14W		55 g
	203 011 802 04	CS-PL plexiglass cover 21W		80 g
	203 011 802 05	CS-PL plexiglass cover 28W		110 g
	203 011 802 06	CS-PL plexiglass cover 35W		130 g
Accessories	Connecting cables and mounting clips page 127			

RECESSED & SURFACE MOUNTED LUMINAIRES

You can set discreet accents with the recessed and surface mounted luminaires, which can be excellently integrated into any environment thanks to their flat designs.

Wall recessed luminaire for surface pattress box and flush-mounted socket



Connection: 220 - 240V / 50 - 60Hz
Life: L70/B10 ≥ 60.000 hours
Energy efficiency: LED: 105 lm/W; luminaire: 50 / 90 lm (55 / 50 lm/W)
Colour rendering: Ra/CRI > 84

Special features:

- quick and easy installation due to standard surface pattress box and flush-mounted socket
- direct connection to 230 V
- no visible luminous spots

Suitable for

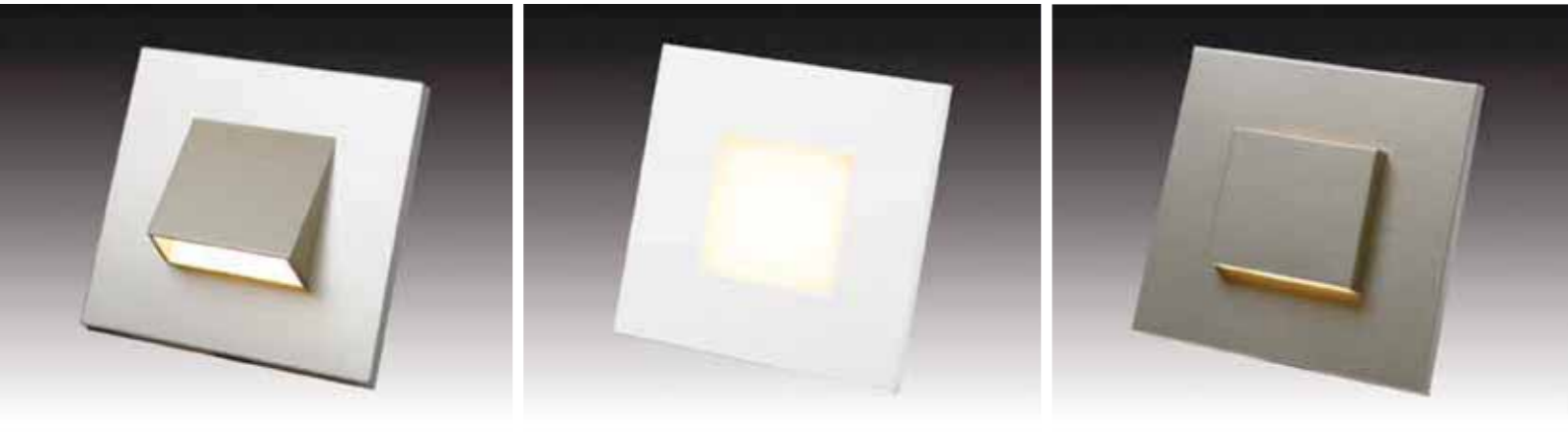
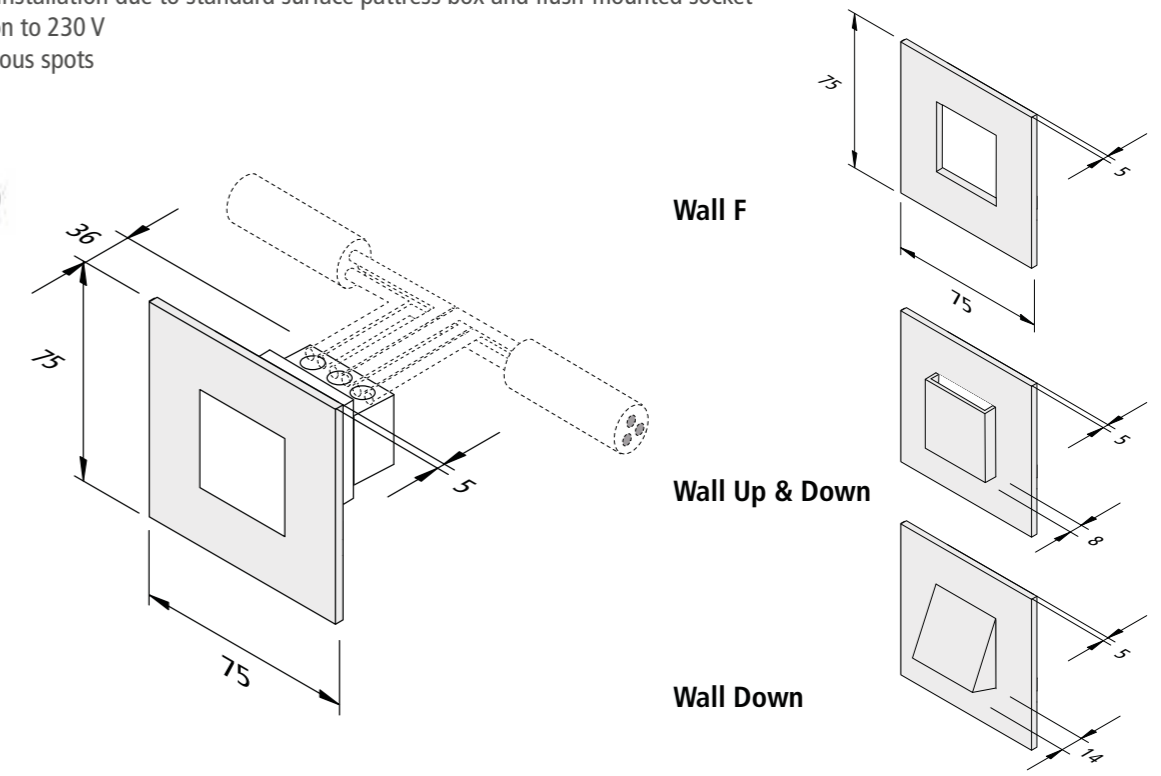


Illustration	Article No.	Description	Features	Weight approx.
	202 027 202 01	LED Wall F 0,9W white	<ul style="list-style-type: none"> • colour appearance ww (warm white) approx. 3000K • incl. 3-pin terminal for 230V • stainless steel or white RAL 9016 	65 g
	202 027 201 01	LED Wall F 1,8W white		65 g
	202 027 202 08	LED Wall F 0,9W stainless steel		65 g
	202 027 201 08	LED Wall F 1,8W stainless steel		65 g
	202 027 211 01	LED Wall Up & Down 1,8W white		65 g
	202 027 211 08	LED Wall Up & Down 1,8W stainless steel		65 g
	202 027 221 01	LED Wall Down 1,8W white		65 g
	202 027 221 08	LED Wall Down 1,8W stainless steel		65 g



Photo: BDSK Hoteleinrichtung Neubert



Connection: LED transformer DC 350 mA
Life: L70/B10 ≥ 60.000 hours
Energy efficiency: LED ww/nw/cw: 75-95 / 100 / 105 lm/W; luminaire ww/nw/cw: **69-87 / 89 / 94 lm**
Colour rendering: ww: Ra/CRI > 90, nw+cw: Ra/CRI > 80

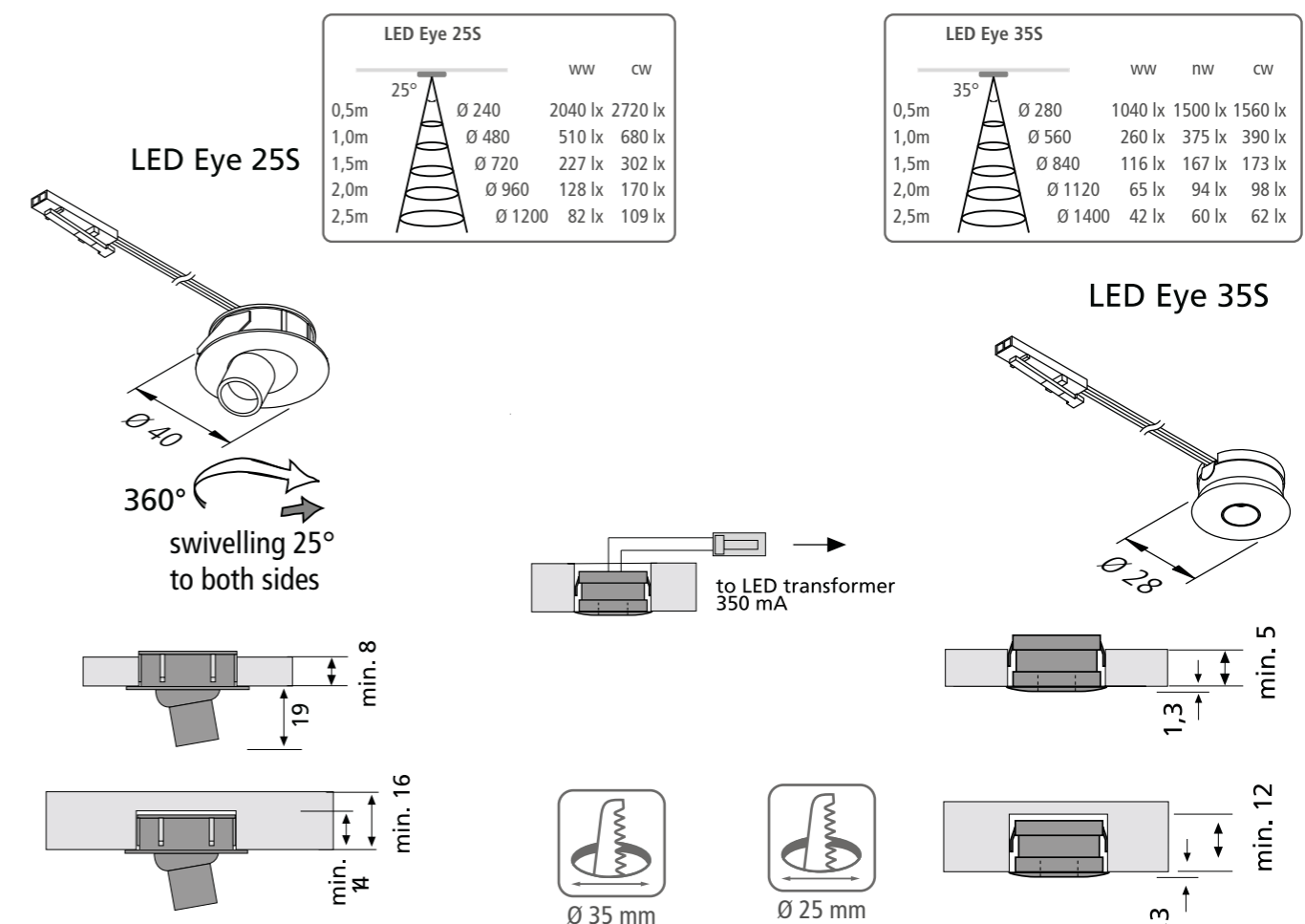


Illustration	Article No.	Description	Features	Weight approx.
	610 010 105 03	LED Eye 255 1W ww black	<ul style="list-style-type: none"> supply cable 1,8m with LED plug colour appearance ww (warm white) approx. 3000K or cw (cool white) approx. 5000K or nw (neutral white) approx. 4000K on request beam angle 25° blind hole 	40 g
	610 010 105 07	LED Eye 255 1W ww anodized aluminium		40 g
	610 010 115 03	LED Eye 255 1W cw black		40 g
	610 010 115 07	LED Eye 255 1W cw anodized aluminium		40 g
	610 010 140 07	LED Eye 355 1W xw anodized aluminium	<ul style="list-style-type: none"> supply cable 1,8m with LED plug colour appearance xw (extra warm white) approx. 2700K or ww (warm white) approx. 3000K or nw (neutral white) appr. 4000K beam angle 35° blind hole 	30 g
	610 010 140 08	LED Eye 355 1W xw stainless steel		30 g
	610 010 100 27	LED Eye 355 1W ww anodized aluminium		30 g
	610 010 100 28	LED Eye 355 1W ww stainless steel		30 g
	610 010 130 07	LED Eye 355 1W nw anodized aluminium		30 g
	610 010 130 08	LED Eye 355 1W nw stainless steel		30 g
	215 080 503 04	LED 350 3-way distributor	<ul style="list-style-type: none"> cable 200mm with LED 350 plug 	25 g
Accessories	transformers from page 260 / connecting cables page 260			



AR 35 / AR 45

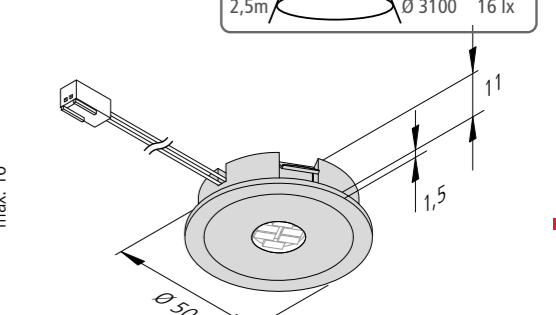
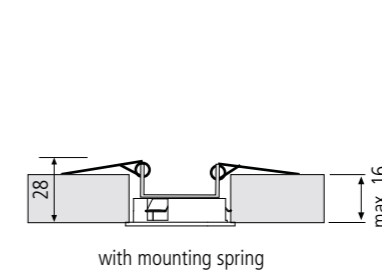
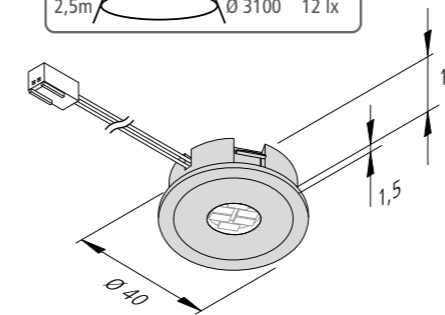
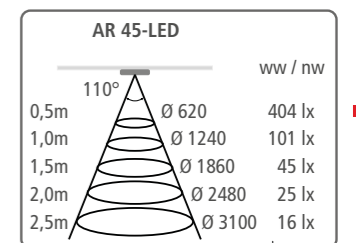
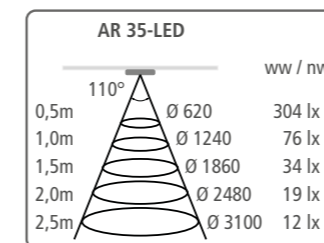
Flat recessed LED luminaire for the 35 / 45 cut-out



Connection: LED transformer DC 24 V
Life: L70/B10 ≥ 40.000 hours
Energy efficiency: LED: 140 lm/W; luminaire: **164 / 222 lm** (66 / 74 lm/W)
Colour rendering: Ra/CRI > 90

Special features:

- metal casing
- genuine glass cover
- with mounting spring also ideal for the use in plasterboard ceilings



use spacer min. 50 mm at insulation



use spacer min. 50 mm at insulation

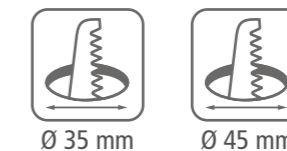
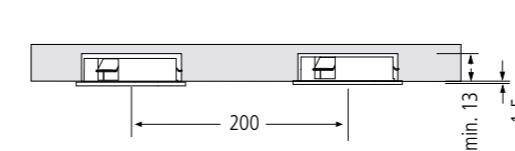


Illustration	Article No.	Description	Features	Weight approx.
	202 025 302 01	AR 35-LED 2,5W ww stainless steel	• colour appearance ww (warm white) appr. 3000K • supply cable 2,5m with LED 24-plug	47 g
	202 025 303 01	AR 35-LED 2,5W nw stainless steel	• colour appearance nw (neutral white) approx. 4000K • supply cable 2,5m with LED 24-plug	47 g
	615 000 301 21	Mounting spring AR 35	• for mounting in lightweight design ceilings or aluminium profiles	15 g
	202 024 602 01	AR 45-LED 3W ww stainless steel	• colour appearance ww (warm white) approx. 3000K • supply cable 2,5m with LED 24 plug	55 g
	202 024 603 01	AR 45-LED 3W nw stainless steel	• colour appearance nw (neutral white) approx. 4000K • supply cable 2,5m with LED 24-plug	55 g
	615 000 301 11	Mounting spring AR 45	• for mounting in plasterboard design ceilings or aluminium profiles	20 g
	215 300 610 01	LED 24 connecting cable 1,0m	• up to max. 60W usable • further information on page 250	9 g
	215 300 625 01	LED 24 connecting cable 2,5m		22 g
	Accessories	LED transformers 24V from page 248 / Dim-controller page 256		



SR 45

Flat, recessed swivel and tilt LED luminaire



Connection: LED transformer DC 350 mA
Life: L70/B10 ≥ 60.000 hours
Energy efficiency: LED: 120 lm/W luminaire: **485 lm** (100 lm/W)
Colour rendering: Ra/CRI > 90

SR 45-LED			
		ww	nw
0,5m	40° Ø 300	3560 lx	3760 lx
1,0m	Ø 600	890 lx	940 lx
1,5m	Ø 900	396 lx	418 lx
2,0m	Ø 1200	223 lx	235 lx
2,5m	Ø 1500	142 lx	150 lx

Special features:

- swivels and tilts 20° to both sides
- metal casing

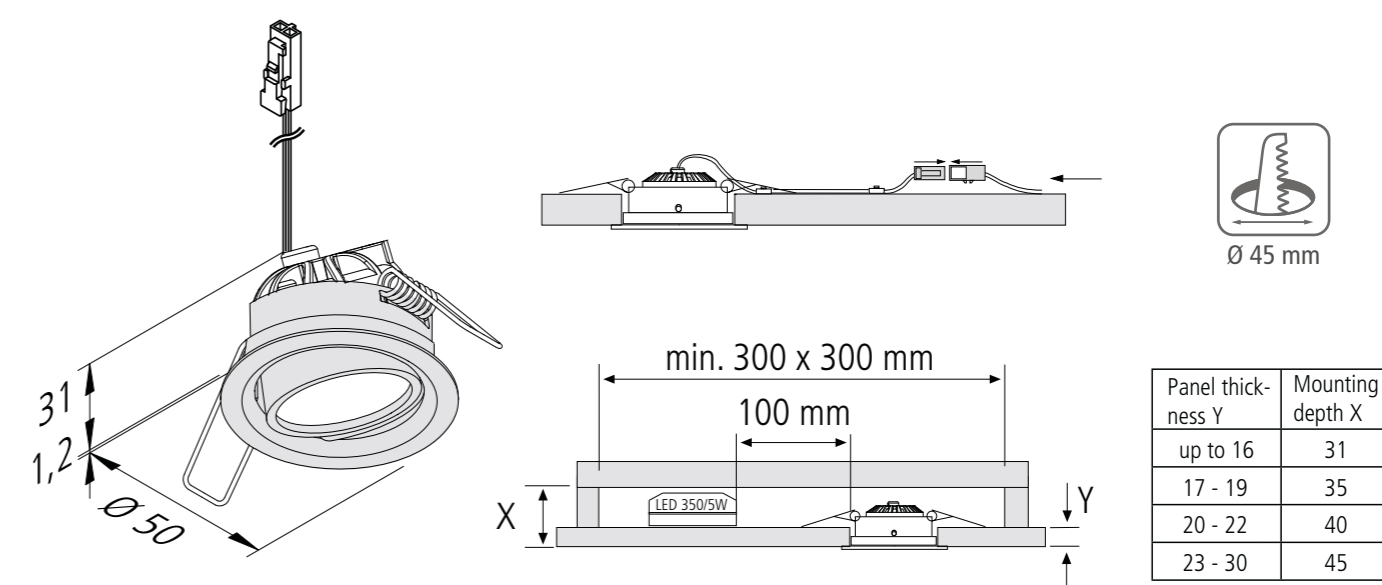


Illustration	Article No.	Description	Features	Weight approx.
	202 025 701 02	SR 45-LED 4,8W ww white	<ul style="list-style-type: none"> • colour appearance ww (warm white) approx. 3000K • supply cable 0,2m with LED 350 plug 	50 g
	202 025 708 02	SR 45-LED 4,8W ww stainless steel		50 g
	202 025 701 03	SR 45-LED 4,8W nw white		50 g
	202 025 708 03	SR 45-LED 4,8W nw stainless steel		50 g
	215 250 610 01	LED 350 connecting cable 1m		12 g
	215 250 620 01	LED 350 connecting cable 2m		20 g
	206 040 027 01	Transformer LED 350/5W with one socket	<ul style="list-style-type: none"> • for 1 SR 45 • mains cable 0,3 m with ferrules (for easy ceiling suspension on 230 V) 	50 g
	615 003 009 03	Transformer LED 350/9W 3-way distributor with Euro plug		175 g
	615 003 009 43	Transformer LED 350/16W with 3-way distributor	<ul style="list-style-type: none"> • for 3 SR 45 • mains cable 2m with Euro plug 	200 g
	615 003 009 45	Transformer LED 350/16W with 5-way distributor		210 g
	615 003 009 28	Transformer LED 350/2x9W dim 2x 3-way distributor (1-10V)	<ul style="list-style-type: none"> • for 4 SR 45 • mains cable 2m with Euro plug • dim control cable 0,2m with Mini-AMP plug • dim current < 1mA 	280 g
	506 180 401 01	Mounting dimmer switch (1-10V)	<ul style="list-style-type: none"> • dimmer cable 2m with Mini AMP-socket 	95 g

NEW

DYNAMIC FAR / FAQ 58

Recessed LED luminaire with planar light and adjustable colour appearance



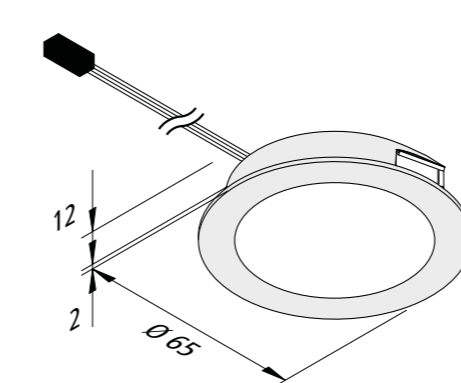
Connection: LED transformer DC 24 V
Life: L70/B10 ≥ 60.000 hours
Energy efficiency: LED: 120 lm/W luminaire: **225 lm** (75 lm/W)
Colour rendering: Ra/CRI > 93

Special features:

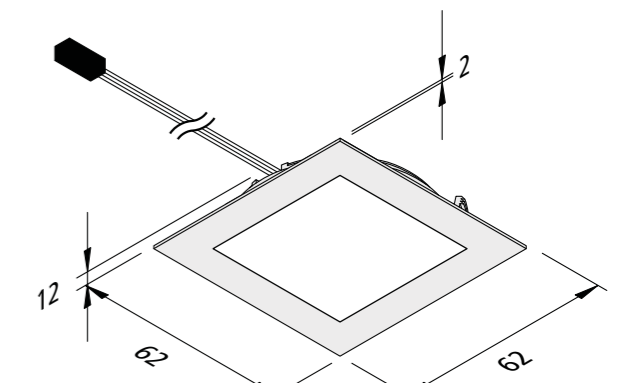
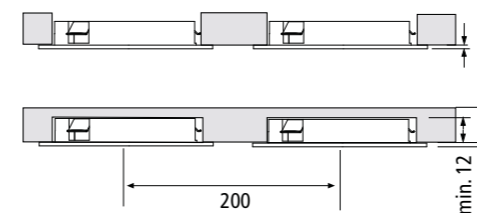
- metal casing
- flush mounting in 16 mm panels
- no visible luminous spots
- colour appearance adjustable between approx. 2700K (xw) and 5000K (cw)

Dynamic FAR 58-LED			
		xw	cw
0,5m	115° Ø 640	352 lx	376 lx
1,0m	Ø 1280	88 lx	94 lx
1,5m	Ø 1920	39 lx	42 lx
2,0m	Ø 2560	22 lx	24 lx
2,5m	Ø 3200	14 lx	15 lx

Dynamic FAQ 58-LED			
		xw	cw
0,5m	115° Ø 640	352 lx	376 lx
1,0m	Ø 1280	88 lx	94 lx
1,5m	Ø 1920	39 lx	42 lx
2,0m	Ø 2560	22 lx	24 lx
2,5m	Ø 3200	14 lx	15 lx



use spacer min. 50 mm at insulation



use spacer min. 50 mm at insulation

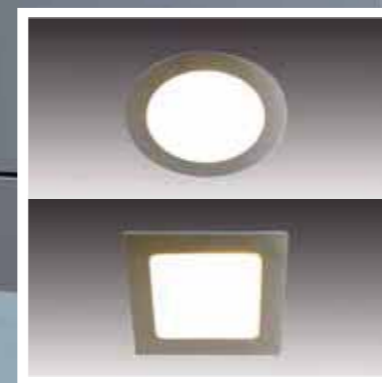
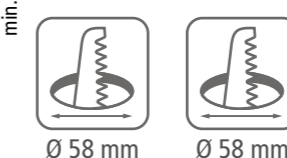
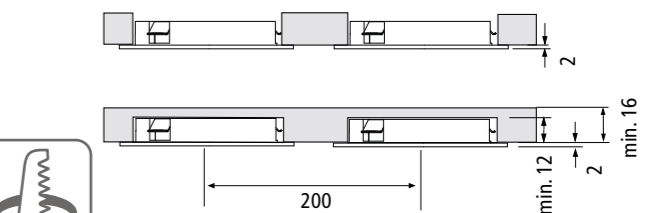


Illustration	Article No.	Description	Features	Weight approx.
	202 031 600 08	Dynamic FAR 58-LED 3W stainless steel look	<ul style="list-style-type: none"> • colour appearance adjustable between approx. 2700K and 5000K • supply cable pluggable 2,5m with Dynamic-plug 	84 g
	202 031 650 08	Dynamic FAQ 58-LED 3W stainless steel look	<ul style="list-style-type: none"> • colour appearance adjustable between approx. 2700K and 5000K • supply cable pluggable 2,5m with Dynamic-plug 	92 g
Accessories		Alexa, DALI and WiFi controller page 255		



DYNAMIC FR 55

Recessed LED luminaire with planar light and adjustable colour appearance



Connection: LED transformer DC 24 V
Life: L70/B10 ≥ 54.000 hours
Energy efficiency: LED: 113 lm/W luminaire: **210 lm** (70 lm/W)
Colour rendering: Ra/CRI > 93

Dynamic FR 55-LED			
	ww	nw	cw
0,5m	312 lx	328 lx	344 lx
1,0m	78 lx	82 lx	86 lx
1,5m	35 lx	36 lx	38 lx
2,0m	20 lx	21 lx	22 lx
2,5m	12 lx	13 lx	14 lx

Special features:

- suitable for mounting in metal sheet
- no visible luminous spots
- colour appearance adjustable between approx. 2700K (xw) and 5000K (cw)

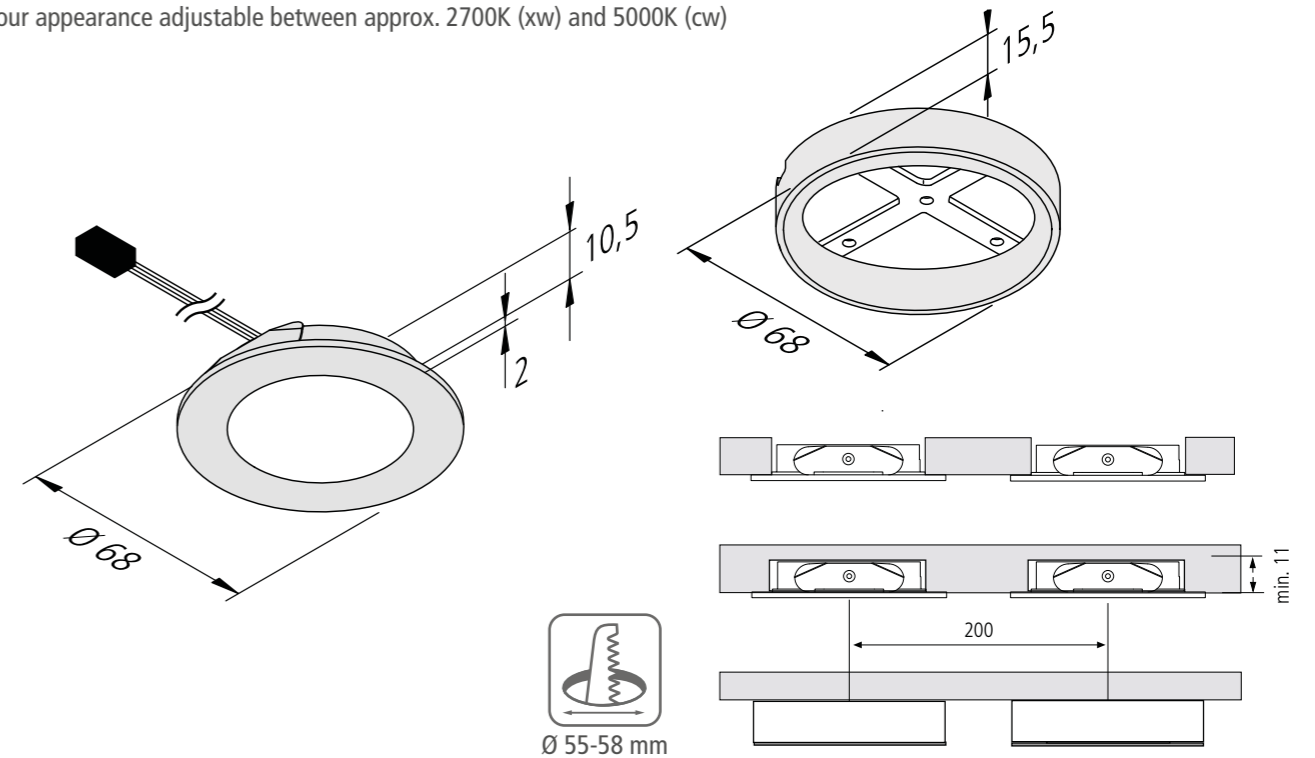


Illustration	Article No.	Description	Features	Weight approx.
	610 017 901 03	Dynamic FR 55-LED 3W black	<ul style="list-style-type: none"> • colour appearance adjustable between approx. 2700K and 5000K • supply cable 2,5m with Dynamic plug 	70 g
	610 017 901 06	Dynamic FR 55-LED 3W matt chrome		70 g
	610 017 901 08	Dynamic FR 55-LED 3W stainless steel		70 g
	610 578 301 08	set of 3 Dynamic FR 55-LED 3W stainless steel	<ul style="list-style-type: none"> • incl. surface mounted remote control and transformer LED 24/15W 	70 g
	205 010 215 06	Mounting ring R 55 matt chrome	<ul style="list-style-type: none"> • incl. fastening screw 	11 g
	205 010 215 08	Mounting ring R 55 stainless steel		11 g
	615 000 505 32	24V Dynamic-Controller radio 75W incl. 4 channel remote control black	<ul style="list-style-type: none"> • as essential accessory • colour change, dim and switch • 4-way distributor • further Dynamic-Controller (among other WiFi + DALI) page 255 	130 g
	615 000 505 31	24V Dynamic-Controller radio 75W incl. surface mounted remote control stainless steel look		105 g
	615 000 505 34	24V Dynamic-Controller radio 75W incl. recessed remote control stainless steel look		80 g
Accessories	distributor and connecting cables page 155 / LED transformers 24V from page 248 / DALI and WiFi controller page 255			



NEW

FAR / FAQ 58

Flat recessed LED luminaire with homogeneous planar light



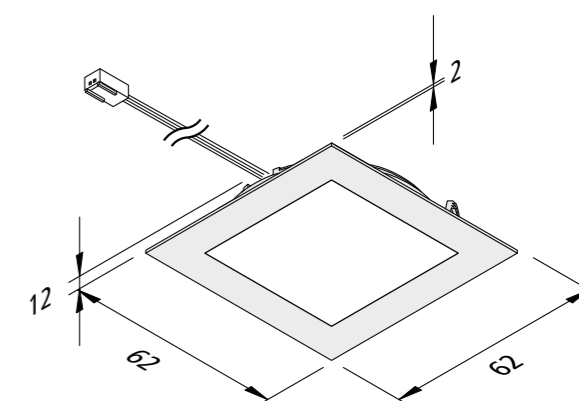
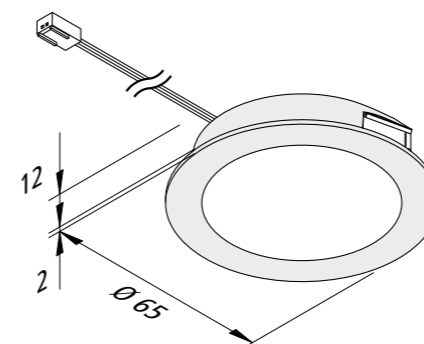
Connection: LED transformer DC 24 V
Life: L70/B10 ≥ 60.000 hours
Energy efficiency: LED: 120 lm/W luminaire: **225 lm** (75 lm/W)
Colour rendering: Ra/CRI > 93

Special features:

- housing in metal construction
- flush mounting in 16 mm panels
- no visible luminous spots

FAR 58-LED		ww	nw
0,5m	Ø 640	352 lx	376 lx
1,0m	Ø 1280	88 lx	94 lx
1,5m	Ø 1920	39 lx	42 lx
2,0m	Ø 2560	22 lx	24 lx
2,5m	Ø 3200	14 lx	15 lx

FAQ 58-LED		ww	nw
0,5m	Ø 640	352 lx	376 lx
1,0m	Ø 1280	88 lx	94 lx
1,5m	Ø 1920	39 lx	42 lx
2,0m	Ø 2560	22 lx	24 lx
2,5m	Ø 3200	14 lx	15 lx



use spacer min. 50 mm at insulation

use spacer min. 50 mm at insulation

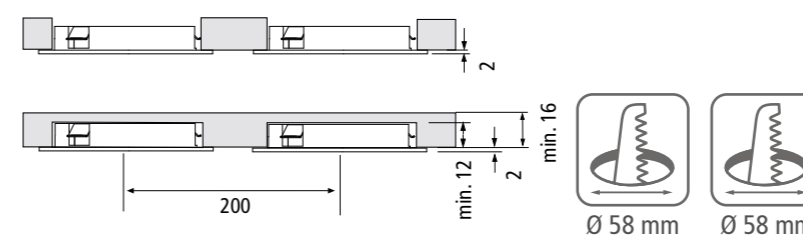


Illustration	Article No.	Description	Features	Weight approx.
	202 031 480 02	FAR 58-LED 3W ww stainless steel look	<ul style="list-style-type: none"> • colour appearance ww (warm white) approx. 3000K or nw (neutral white) approx. 4000K • supply cable pluggable 2,5m with LED 24 plug 	69 g
	202 031 480 03	FAR 58-LED 3W nw stainless steel look		69 g
	202 031 580 02	FAQ 58-LED 3W ww stainless steel look	<ul style="list-style-type: none"> • colour appearance ww (warm white) approx. 3000K or nw (neutral white) approx. 4000K • supply cable pluggable 2,5m with LED 24 plug 	78 g
	202 031 580 03	FAQ 58-LED 3W nw stainless steel look		78 g
	Accessories	LED transformers 24V from page 248 / dim controller page 256		



FR 55

Flat recessed LED luminaire with homogeneous planar light



Connection: LED transformer DC 24 V
Life: L70/B10 ≥ 54.000 hours
Energy efficiency: LED: 113 lm/W luminaire: **210 lm** (70 lm/W)
Colour rendering: Ra/CRI > 93

FR 55-LED		ww	nw
0,5m	Ø 620	320 lx	340 lx
1,0m	Ø 1240	80 lx	85 lx
1,5m	Ø 1860	36 lx	38 lx
2,0m	Ø 2480	20 lx	21 lx
2,5m	Ø 3100	13 lx	14 lx

Special features:

- suitable for mounting in metal sheet
- no visible luminous spots

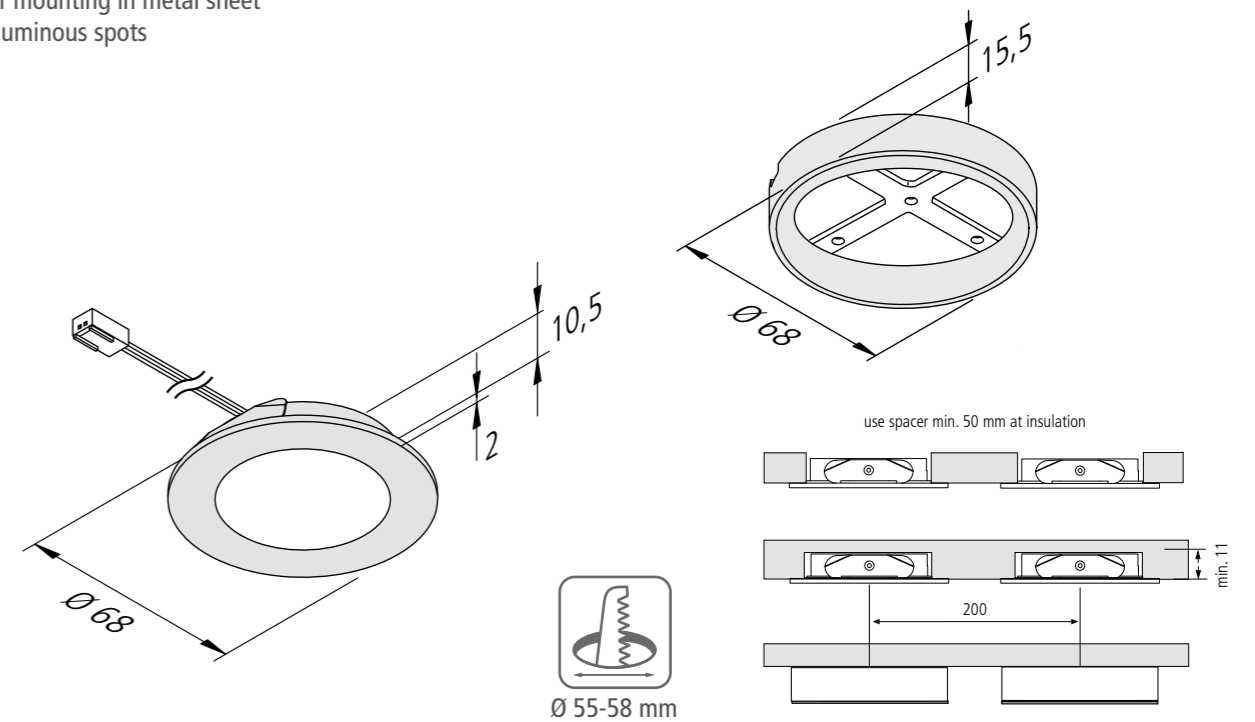


Illustration	Article No.	Description	Features	Weight approx.
	610 017 820 03	FR 55-LED 3W ww black	<ul style="list-style-type: none"> • colour appearance ww (warm white) approx. 3000K • supply cable 2,5m with LED 24 plug 	70 g
	610 017 820 06	FR 55-LED 3W ww matt chrome		70 g
	610 017 820 08	FR 55-LED 3W ww stainless steel		70 g
	610 017 830 03	FR 55-LED 3W nw black		70 g
	610 017 830 06	FR 55-LED 3W nw matt chrome		70 g
	610 017 830 08	FR 55-LED 3W nw stainless steel		70 g
	610 569 330 02	set of 3 FR 55-LED 3W ww black	<ul style="list-style-type: none"> • incl. transformer 15W (5 lamps can be added) 	380 g
	610 569 380 02	set of 3 FR 55-LED 3W ww stainless steel		380 g
	610 569 380 03	set of 3 FR 55-LED 3W nw stainless steel		380 g
	610 569 580 02	set of 5 FR 55-LED 3W ww stainless steel	<ul style="list-style-type: none"> • incl. transformer 30W (10 lamps can be added) 	600 g
	610 569 580 03	set of 5 FR 55-LED 3W nw stainless steel		600 g
	205 010 215 06	Mounting ring R 55 matt chrome	<ul style="list-style-type: none"> • incl. fastening screw 	11 g
	205 010 215 08	Mounting ring R 55 stainless steel		11 g
	215 300 610 01	LED 24 connecting cable 1,0m	<ul style="list-style-type: none"> • up to max. 60W usable • further information on page 250 	9 g
	215 300 625 01	LED 24 connecting cable 2,5m		22 g
	Accessories	LED transformers 24V from page 248 / dim controller page 256		



NEW

DYNAMIC FAR / FAQ 68

Recessed LED luminaire with planar light and adjustable colour appearance



Connection: LED transformer DC 24 V
Life: L70/B10 ≥ 60.000 hours
Energy efficiency: LED: 120 lm/W luminaire: **225 lm** (75 lm/W)
Colour rendering: Ra/CRI > 93

Dynamic FAR / FAQ 68-LED				
		xw	nw	cw
0,5m	Ø 620	336 lx	352 lx	364 lx
1,0m	Ø 1240	84 lx	88 lx	91 lx
1,5m	Ø 1860	37 lx	39 lx	40 lx
2,0m	Ø 2480	21 lx	22 lx	23 lx
2,5m	Ø 3100	13 lx	14 lx	15 lx

Special features:

- housing in metal construction
- flush mounting in 16 mm panels
- no visible luminous spots
- colour appearance adjustable between 2700K (xw) and 5000K (cw)

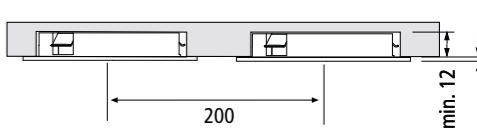
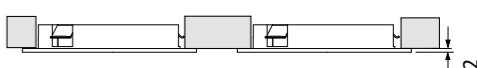
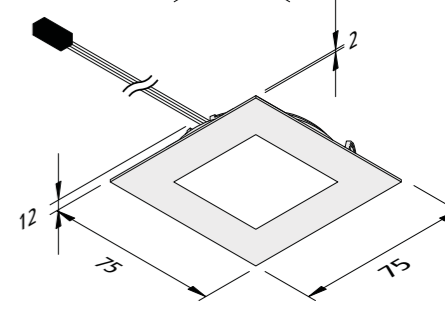
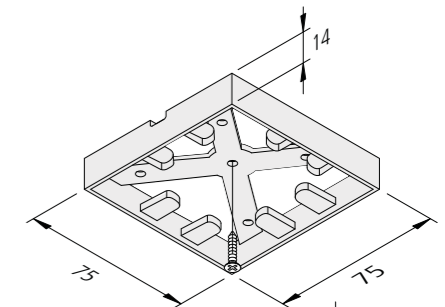
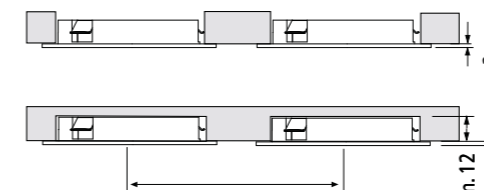
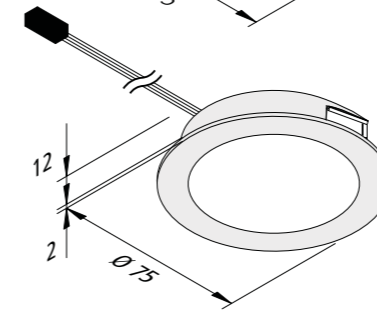
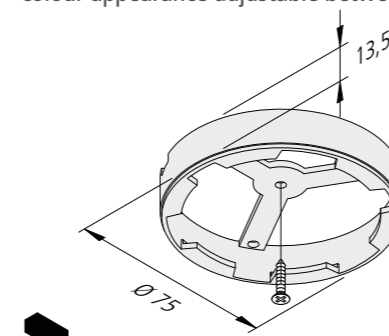


Illustration	Article No.	Description	Features	Weight approx.
	202 031 900 03	Dynamic FAR 68-LED 3W black	<ul style="list-style-type: none"> • colour appearance adjustable between approx. 2700K and 5000K • supply cable pluggable 2,5m with Dynamic-plug 	77 g
	202 031 900 08	Dynamic FAR 68-LED 3W stainless steel look		77 g
	205 010 219 03	Mounting ring AR 68 black	<ul style="list-style-type: none"> • incl. fastening screw 	12 g
	205 010 219 08	Mounting ring AR 68 stainless steel		12 g
	202 031 950 03	Dynamic FAQ 68-LED 3W black	<ul style="list-style-type: none"> • colour appearance adjustable between approx. 2700K and 5000K • supply cable pluggable 2,5m with Dynamic-plug 	97 g
	202 031 950 08	Dynamic FAQ 68-LED 3W stainless steel look		97 g
	205 010 220 03	Mounting ring AQ 68 black	<ul style="list-style-type: none"> • incl. fastening screw 	12 g
	205 010 220 08	Mounting ring AQ 68 stainless steel		12 g
	Accessories	Alexa, DALI and WiFi Controller page 255		



DYNAMIC FR / FQ 68 / 78

Recessed LED luminaire with planar light and adjustable colour appearance



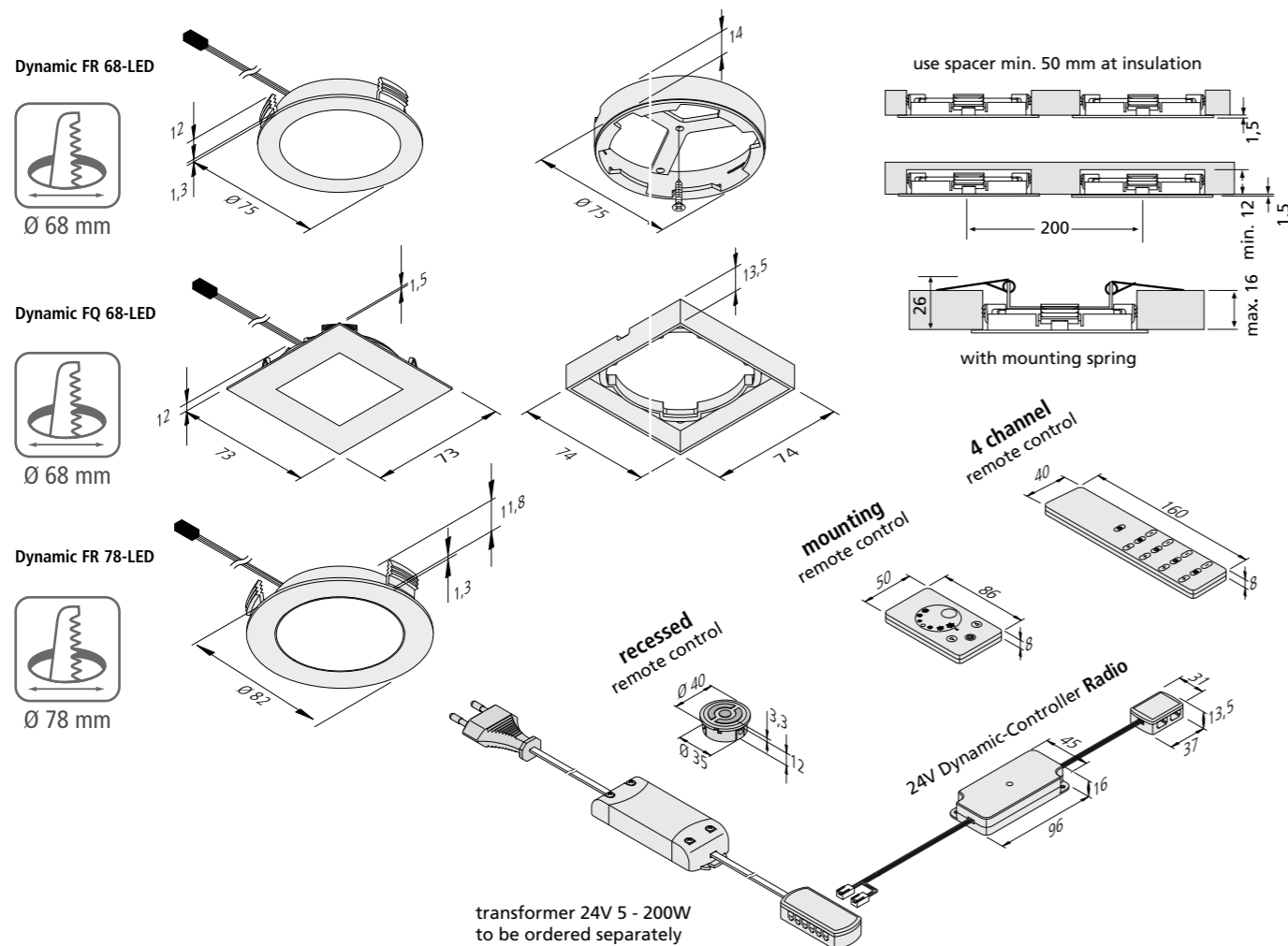
Connection: LED transformer DC 24 V
Life: L70/B10 ≥ 54.000 hours
Energy efficiency: LED: 113 lm/W; luminaire: 270 lm (68 lm/W)
Colour rendering: Ra/CRI > 93

Dynamic FR-/FQ 68-LED				
	ww	nw	cw	
0,5m	Ø 620	372 lx	400 lx	444 lx
1,0m	Ø 1240	93 lx	100 lx	111 lx
1,5m	Ø 1860	41 lx	44 lx	49 lx
2,0m	Ø 2480	23 lx	25 lx	28 lx
2,5m	Ø 3100	15 lx	16 lx	18 lx

Special features:

- flush mounting in 16 mm panels
- no visible luminous spots
- light colour adjustable between approx. 2700 K (xw) and 5000 K (cw)

Illustration	Article No.	Description	Features	Weight approx.
	610 016 001 03	Dynamic FR 68-LED 4W black	• colour appearance adjustable between approx. 2700K and 5000K • supply cable 2,5m with Dynamic plug	70 g
	610 016 001 06	Dynamic FR 68-LED 4W matt chrome		70 g
	610 016 001 08	Dynamic FR 68-LED 4W stainless steel		70 g
	610 572 301 08	set of 3 Dynamic FR 68-LED 4W stainless steel	• colour appearance adjustable between approx. 2700K and 5000K • supply cable 2,5m with Dynamic plug	485 g
	205 010 218 03	Mounting ring R 68 black	• incl. fastening screw	12 g
	205 010 211 06	Mounting ring R 68 matt chrome		12 g
	205 010 211 08	Mounting ring R 68 stainless steel look		12 g
	610 017 701 06	Dynamic FR 78-LED 4W matt chrome	• colour appearance adjustable between approx. 2700K and 5000K • supply cable 2,5m with Dynamic plug • black version on request	70 g
	610 017 701 08	Dynamic FR 78-LED 4W stainless steel		70 g
	610 577 301 08	set of 3 Dynamic FR 78-LED 4W stainless steel	• colour appearance adjustable between approx. 2700K and 5000K • supply cable 2,5m with Dynamic plug • black version on request	485 g
	610 016 601 03	Dynamic FQ 68-LED 4W black	• colour appearance adjustable between approx. 2700K and 5000K • supply cable 2,5m with Dynamic plug	70 g
	610 016 601 06	Dynamic FQ 68-LED 4W matt chrome		70 g
	610 016 601 08	Dynamic FQ 68-LED 4W stainless steel		70 g
	610 571 301 08	set of 3 Dynamic FQ 68-LED 4W stainless steel	• colour appearance adjustable between approx. 2700K and 5000K • supply cable 2,5m with Dynamic plug	500 g
	205 010 212 03	Mounting ring Q 68 black	• incl. fastening screw	15 g
	205 010 212 06	Mounting ring Q 68 matt chrome		15 g
	205 010 212 08	Mounting ring Q 68 stainless steel look		15 g
	615 000 301 01	Mounting spring ARF 68/78/Q	• for mounting in plasterboard ceilings or aluminium profiles	24 g
	615 000 505 32	24V Dynamic-Controller radio 75W incl. 4 channel remote control black	• as essential accessory • colour change, dim and switch • 4-way distributor • further Dynamic-Controller (among other WiFi + DALI) page 255	130 g
	615 000 505 31	24V Dynamic-Controller radio 75W incl. surface mounted remote control stainless steel look		105 g
	615 000 505 34	24V Dynamic-Controller radio 75W incl. recessed remote control stainless steel look		80 g
	206 040 023 01	Transformer LED 24/ 5W DC 24V	• mains cable 2m with Euro plug • 12-way distributor	160 g
	206 040 011 01	Transformer LED 24/ 15W DC 24V		167 g
	215 350 610 01	Connecting cable Dynamic 1m	• connection between distributor and luminaire	16 g
	215 350 625 01	Connecting cable Dynamic 2,5m		40 g
	215 080 607 14	Dynamic 4-way distributor	• cable 100mm with Dynamic plug • for 3 additional supply cables	16 g
Accessories		DALI and WiFi controller page 255		



transformer 24V 5 - 200W to be ordered separately



NEW

AR 68

Flat recessed LED luminaire with low glare

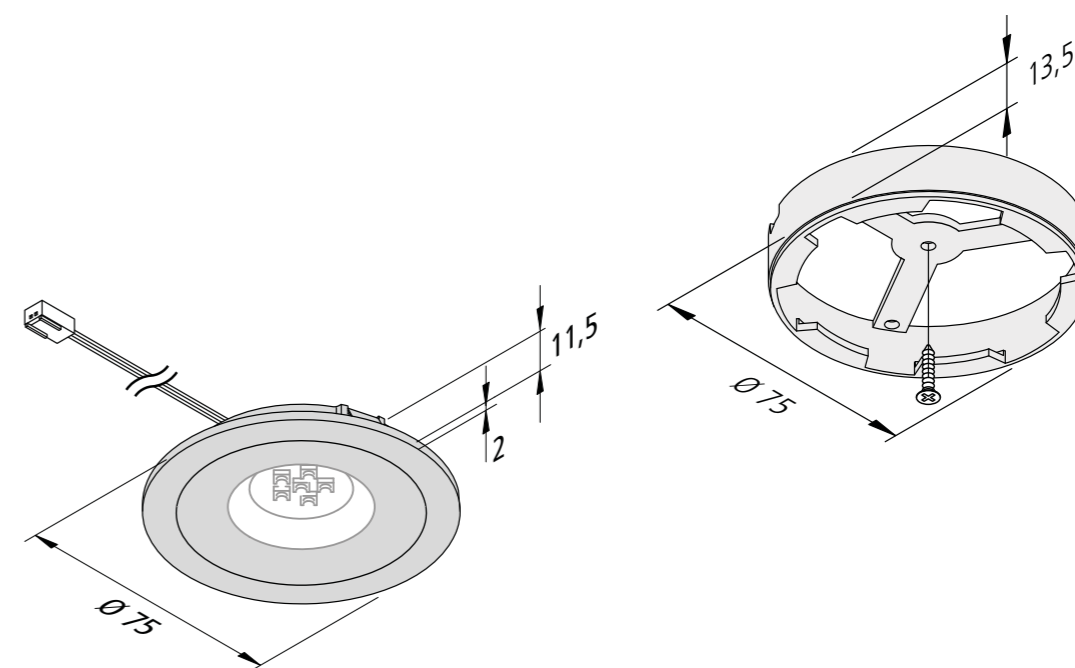


Connection: LED transformer DC 24 V
Life: L70/B10 ≥ 60.000 hours
Energy efficiency: LED: 120 lm/W luminaire: **300 lm** (75 lm/W)
Colour rendering: Ra/CRI > 93

AR 68-LED				
		xw	ww	nw
0,5m	60° Ø 425	1008 lx	1080 lx	1156 lx
1,0m	Ø 850	252 lx	270 lx	289 lx
1,5m	Ø 1275	112 lx	120 lx	128 lx
2,0m	Ø 1700	63 lx	68 lx	72 lx
2,5m	Ø 2125	40 lx	43 lx	46 lx

Special features:

- metal casing
- flush mounting in 16 mm panels
- glare-free with recessed reflector and clear diffuser



use spacer min. 50 mm at insulation

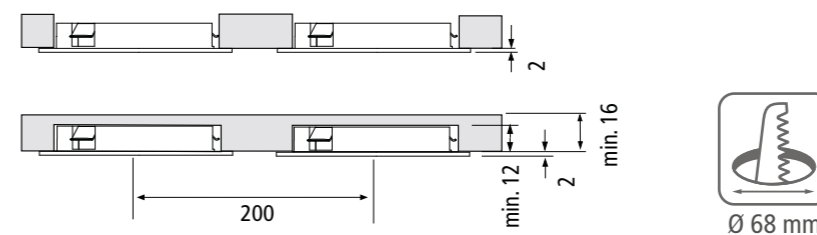


Illustration	Article No.	Description	Features	Weight approx.
	202 032 330 04	AR 68-LED 4W xw black	<ul style="list-style-type: none"> • colour appearance xw (extra warm white) approx. 2700K or ww (warm white) approx. 3000K or nw (neutral white) approx. 4000K • supply cable pluggable 2,5m with LED 24 plug 	79 g
	202 032 380 04	AR 68-LED 4W xw stainless steel look		79 g
	202 032 330 02	AR 68-LED 4W ww black		79 g
	202 032 380 02	AR 68-LED 4W ww stainless steel look		79 g
	202 032 330 03	AR 68-LED 4W nw black		79 g
	202 032 380 03	AR 68-LED 4W nw stainless steel look		79 g
	205 010 219 03	Mounting ring AR 68 black	<ul style="list-style-type: none"> • incl. fastening screw 	12 g
	205 010 219 08	Mounting ring AR 68 stainless steel		12 g
Accessories		LED transformers 24V from page 248 / dim controller page 256		



NEW

FAR / FAQ 68

Flat recessed LED luminaire with homogeneous planar light



Connection: LED transformer DC 24 V
Life: L70/B10 ≥ 60.000 hours
Energy efficiency: LED: 120 lm/W luminaire: **312 lm** (78 lm/W)
Colour rendering: Ra/CRI > 93

FAR / FAQ 68-LED			
	xw	ww	nw
0,5m	432 lx	464 lx	480 lx
1,0m	108 lx	116 lx	120 lx
1,5m	48 lx	52 lx	53 lx
2,0m	27 lx	29 lx	30 lx
2,5m	17 lx	19 lx	19 lx

Special features:

- housing in metal construction
- flush mounting in 16 mm panels
- no visible luminous spots

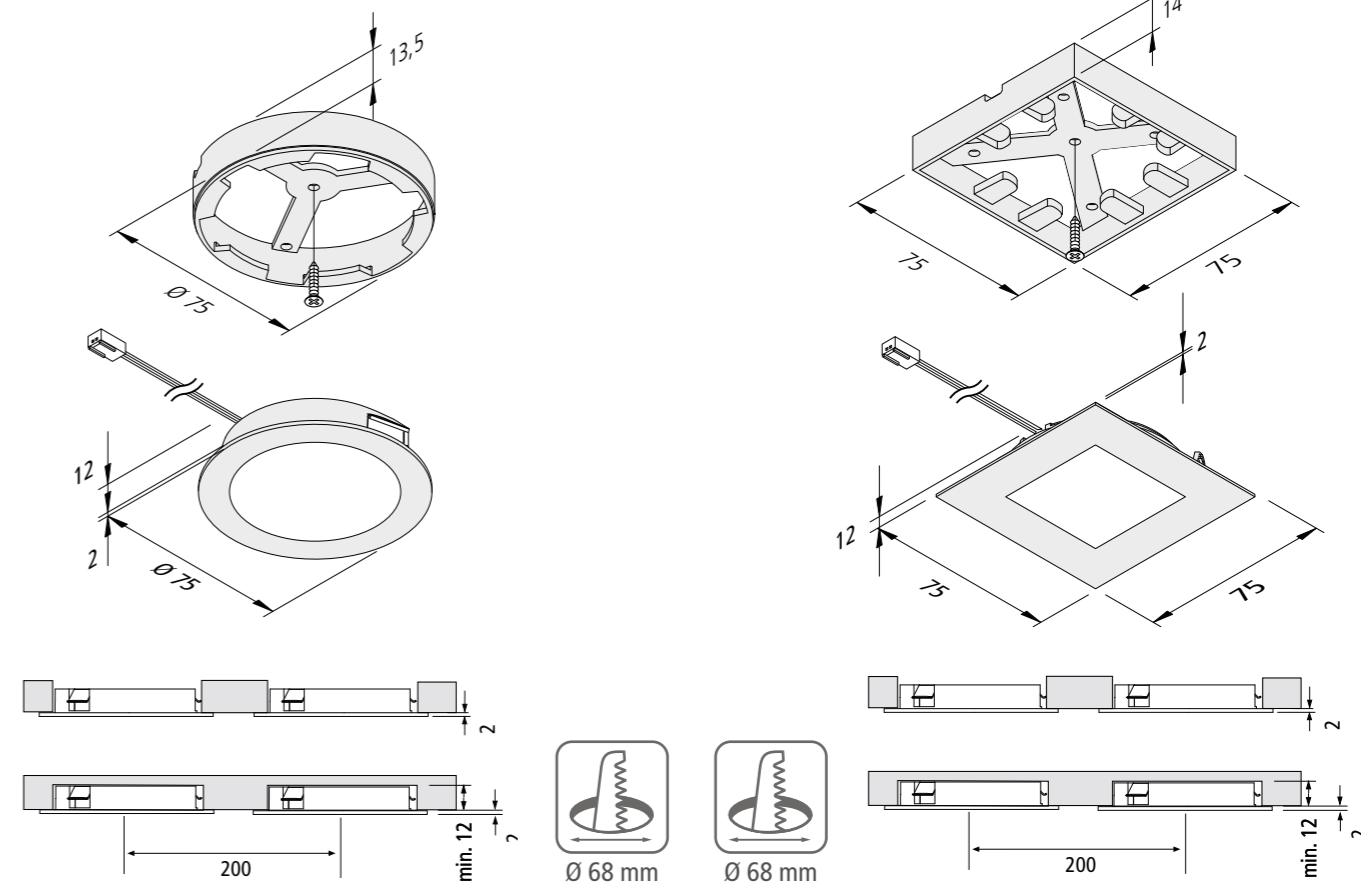


Illustration	Article No.	Description	Features	Weight approx.
	202 031 780 04	FAR 68-LED 4W xw stainless steel look	<ul style="list-style-type: none"> • colour appearance xw (extra warm white) approx. 2700K or ww (warm white) approx. 3000K or nw (neutral white) approx. 4000K • supply cable pluggable 2,5m with LED 24 plug 	80 g
	202 031 730 02	FAR 68-LED 4W ww black		80 g
	202 031 780 02	FAR 68-LED 4W ww stainless steel look		80 g
	202 031 780 03	FAR 68-LED 4W nw stainless steel look		80 g
	205 010 219 03	Mounting ring AR 68 black	<ul style="list-style-type: none"> • incl. fastening screw 	12 g
	205 010 219 08	Mounting ring AR 68 stainless steel		12 g
	202 031 880 04	FAQ 68-LED 4W xw stainless steel look	<ul style="list-style-type: none"> • colour appearance xw (extra warm white) approx. 2700K or ww (warm white) approx. 3000K or nw (neutral white) approx. 4000K • supply cable pluggable 2,5m with LED 24 plug 	97 g
	202 031 880 02	FAQ 68-LED 4W ww stainless steel look		97 g
	202 031 880 03	FAQ 68-LED 4W nw stainless steel look		97 g
	205 010 220 08	Mounting ring AQ 68 stainless steel	<ul style="list-style-type: none"> • incl. fastening screw 	12 g
Accessories	LED transformers 24V from page 248 / dim controller page 256			



FR 68 / 78

Flat recessed LED luminaire with homogeneous planar light



Connection: LED transformer DC 24 V
Life: L70/B10 ≥ 54.000 hours
Energy efficiency: LED: 113 lm/W luminaire: **270 lm** (68 lm/W)
Colour rendering: Ra/CRI > 93

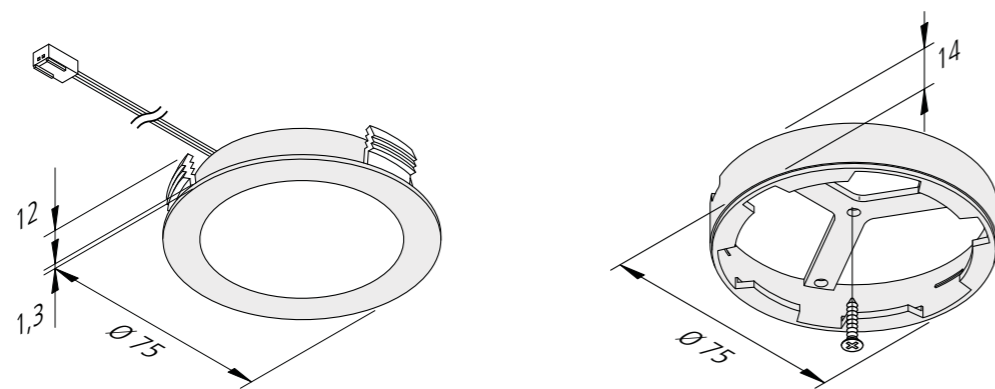
FR-/FQ 68/78-LED				
		xw	ww	nw
0,5m	110° Ø 620	416 lx	440 lx	440 lx
1,0m	Ø 1240	104 lx	110 lx	110 lx
1,5m	Ø 1860	46 lx	49 lx	49 lx
2,0m	Ø 2480	26 lx	28 lx	28 lx
2,5m	Ø 3100	17 lx	18 lx	18 lx

Special features:

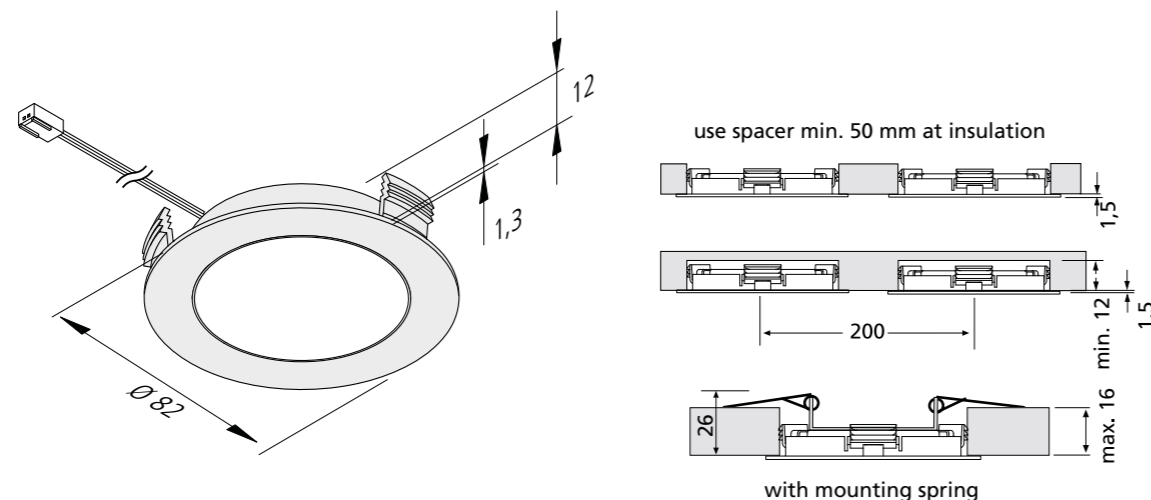
- flush mounting in 16 mm panels
- no visible luminous spots

Illustration	Article No.	Description	Features	Weight approx.
	610 015 904 13	FR 68-LED 4W xw black	<ul style="list-style-type: none"> • colour appearance xw (extra warm white) approx. 2700K, or ww (warm white) approx. 3000K, or nw (neutral white) approx. 4000K • supply cable 2,5m with LED 24 plug 	70 g
	610 015 904 16	FR 68-LED 4W xw matt chrome		70 g
	610 015 904 18	FR 68-LED 4W xw stainless steel look		70 g
	610 015 902 03	FR 68-LED 4W ww black		70 g
	610 015 902 06	FR 68-LED 4W ww matt chrome		70 g
	610 015 902 08	FR 68-LED 4W ww stainless steel look		70 g
	610 015 903 03	FR 68-LED 4W nw black		70 g
	610 015 903 06	FR 68-LED 4W nw matt chrome		70 g
	610 015 903 08	FR 68-LED 4W nw stainless steel look		70 g
	610 563 330 02	set of 3 FR 68-LED 4W ww black	<ul style="list-style-type: none"> • colour appearance ww (warm white) approx. 3000K or nw (neutral white) approx. 4000K • incl. transformer 15W or 30W (set of 5 up to 7 lamps can be added) • supply cable 2,5m with LED 24-plug 	380 g
	610 563 030 02	set of 3 FR 68-LED 4W ww stainless steel look		380 g
	610 563 330 03	set of 3 FR 68-LED 4W nw black		380 g
	610 563 030 03	set of 3 FR 68-LED 4W nw stainless steel		380 g
	610 563 050 02	set of 5 FR 68-LED 4W ww stainless steel	<ul style="list-style-type: none"> • colour appearance ww (warm white) approx. 3000K or nw (neutral white) approx. 4000K • incl. transformer 15W or 30W (set of 5 up to 7 lamps can be added) • supply cable 2,5m with LED 24-plug 	520 g
	610 563 050 03	set of 5 FR 68-LED 4W nw stainless steel		520 g
	205 010 218 03	Mounting ring R 68 black	<ul style="list-style-type: none"> • incl. fastening screw 	12 g
	205 010 211 06	Mounting ring R 68 matt chrome		12 g
	205 010 211 08	Mounting ring R 68 stainless steel look		12 g
	610 017 602 06	FR 78-LED 4W ww matt chrome	<ul style="list-style-type: none"> • colour appearance ww (warm white) approx. 3000K or nw (neutral white) approx. 4000K • supply cable 2,5m with LED 24 plug • black version on request 	70 g
	610 017 602 08	FR 78-LED 4W ww stainless steel look		70 g
	610 017 603 06	FR 78-LED 4W nw matt chrome		70 g
	610 017 603 08	FR 78-LED 4W nw stainless steel look		70 g
	610 568 380 02	set of 3 FR 78-LED 4W ww stainless steel look	<ul style="list-style-type: none"> • colour appearance ww (warm white) approx. 3000K or nw (neutral white) approx. 4000K • incl. transformer 15W or 30W (set of 5 up to 7 lamps can be added) • supply cable 2,5m with LED 24-plug 	380 g
	610 568 380 03	set of 3 FR 78-LED 4W nw stainless steel look		380 g
	610 568 580 02	set of 5 FR 78-LED 4W ww stainless steel look	<ul style="list-style-type: none"> • colour appearance ww (warm white) approx. 3000K or nw (neutral white) approx. 4000K • incl. transformer 15W or 30W (set of 5 up to 7 lamps can be added) • supply cable 2,5m with LED 24-plug 	520 g
	610 568 580 03	set of 5 FR 78-LED 4W nw stainless steel look		520 g
	615 000 301 01	Mounting spring ARF 68/78/Q	<ul style="list-style-type: none"> • for mounting in plasterboard ceilings or aluminium profiles 	24 g
	215 300 610 01	LED 24 connecting cable 1,0m	<ul style="list-style-type: none"> • up to max. 60W usable • further information on page 250 	9 g
	215 300 625 01	LED 24 connecting cable 2,5m		22 g
Accessories	LED transformers 24V from page 248 / Dim-controller page 256			

FR 68-LED



FR 78-LED



¹⁾ blind hole mounting
²⁾ version on request



Photo: Schröder Küchen

FQ 68

Flat recessed LED luminaire with homogeneous planar light



Connection: LED transformer DC 24 V
Life: L70/B10 ≥ 54.000 hours
Energy efficiency: LED: 113 lm/W luminaire: **270 lm** (68 lm/W)
Colour rendering: Ra/CRI > 93

FR-/FQ 68/78-LED				
	xw	ww	nw	
0,5m	Ø 620	416 lx	440 lx	440 lx
1,0m	Ø 1240	104 lx	110 lx	110 lx
1,5m	Ø 1860	46 lx	49 lx	49 lx
2,0m	Ø 2480	26 lx	28 lx	28 lx
2,5m	Ø 3100	17 lx	18 lx	18 lx

Special features:

- flush mounting in 16 mm panels
- no visible luminous spots

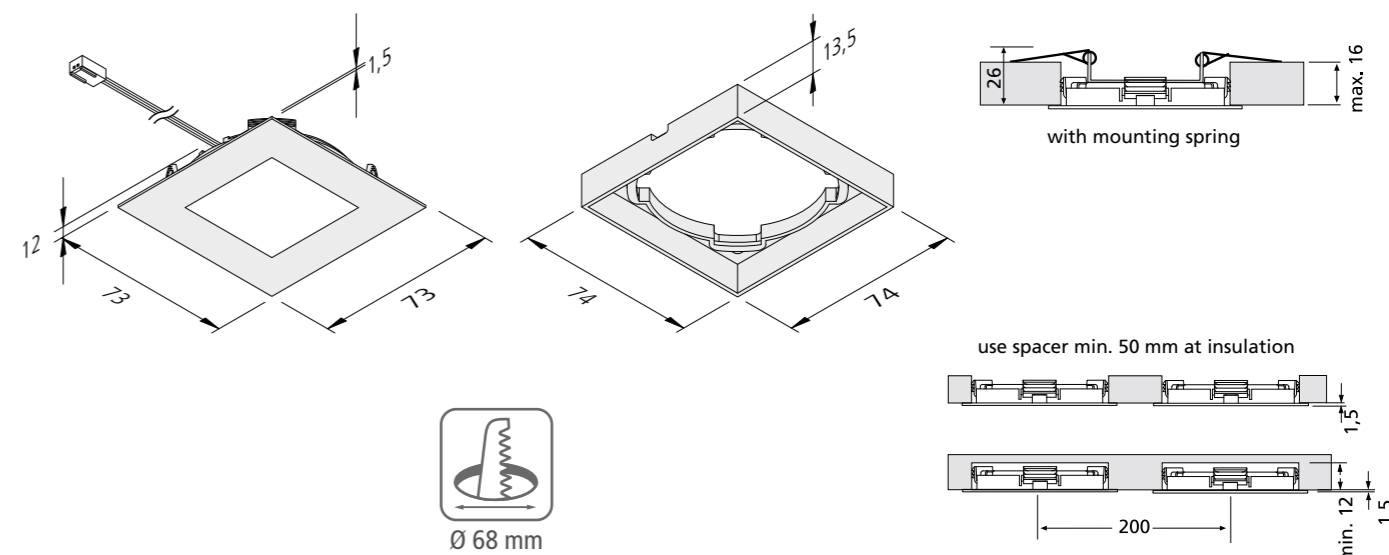


Illustration	Article No.	Description	Features	Weight approx.
	610 016 502 03	FQ 68-LED 4W ww black	<ul style="list-style-type: none"> • colour appearance ww (warm white) approx. 3000K or nw (neutral white) approx. 4000K • supply cable 2,5m with LED 24 plug 	75 g
	610 016 502 06	FQ 68-LED 4W ww matt chrome		75 g
	610 016 502 08	FQ 68-LED 4W ww stainless steel look		75 g
	610 016 503 03	FQ 68-LED 4W nw black		75 g
	610 016 503 06	FQ 68-LED 4W nw matt chrome		75 g
	610 016 503 08	FQ 68-LED 4W nw stainless steel look		75 g
	610 564 330 02	set of 3 FQ 68-LED 4W ww black	<ul style="list-style-type: none"> • colour appearance ww (warm white) approx. 3000K or nw (neutral white) approx. 4000K • incl. transformer 15W or 30W (set of 5 up to 7 lamps can be added) • supply cable 2,5m with LED 24-plug 	395 g
	610 564 380 02	set of 3 FQ 68-LED 4W ww stainless steel look		395 g
	610 564 330 03	set of 3 FQ 68-LED 4W nw black		395 g
	610 564 380 03	set of 3 FQ 68-LED 4W nw stainless steel look		395 g
	610 564 580 02	set of 5 FQ 68-LED 4W ww stainless steel look	<ul style="list-style-type: none"> • colour appearance ww (warm white) approx. 3000K or nw (neutral white) approx. 4000K • incl. transformer 15W or 30W (set of 5 up to 7 lamps can be added) • supply cable 2,5m with LED 24-plug 	535 g
	610 564 580 03	set of 5 FQ 68-LED 4W nw stainless steel look		535 g
	205 010 212 03	Mounting ring Q 68 black	<ul style="list-style-type: none"> • incl. fastening screw 	15 g
	205 010 212 06	Mounting ring Q 68 matt chrome		15 g
	205 010 212 08	Mounting ring Q 68 stainless steel look		15 g
	615 000 301 01	Mounting spring ARF 68/78/Q	<ul style="list-style-type: none"> • for mounting in plasterboard ceilings or aluminium profiles 	24 g
	215 300 610 01	LED 24 connecting cable 1,0m	<ul style="list-style-type: none"> • up to max. 60W usable • further information on page 250 	9 g
	215 300 625 01	LED 24 connecting cable 2,5m		22 g
	Accessories	LED transformers 24V from page 248 / Dim-controller page 256		



HV FR 68 / 78

LED luminaire with homogeneous planar light for 230 V



Connection: 220 - 240V / 50 - 60Hz
Life: L70/B10 ≥ 40.000 hours
Energy efficiency: LED: 129 lm/W luminaire: **200 lm** (67 lm/W)
Colour rendering: Ra/CRI > 84

HV FR-68/78-LED		ww	nw
0,5m	Ø 620	296 lx	296 lx
1,0m	Ø 1240	74 lx	74 lx
1,5m	Ø 1860	33 lx	33 lx
2,0m	Ø 2480	19 lx	19 lx
2,5m	Ø 3100	12 lx	12 lx

Special features:

- integrated electronic ballast
- with easy-to-mount HVL CS plug-in system (drill hole Ø 8mm) and firtree food for fast and easy installation
- recommended phase dimmer: Busch-Jaeger 6523U-102 or Sygonix 33594C

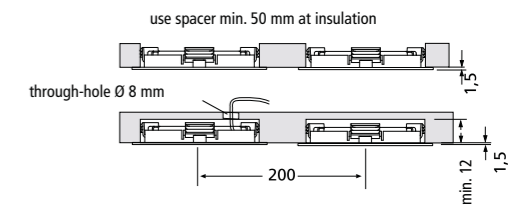
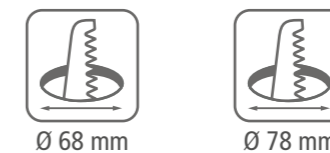
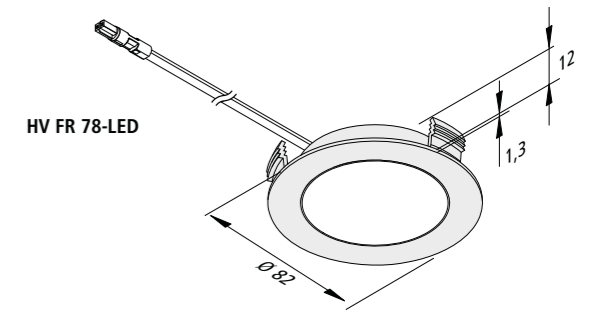
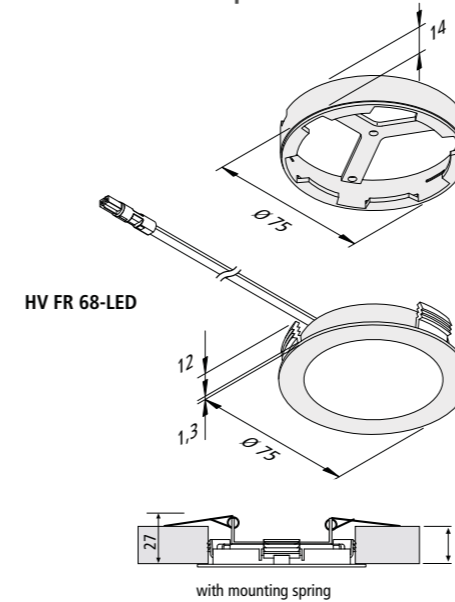
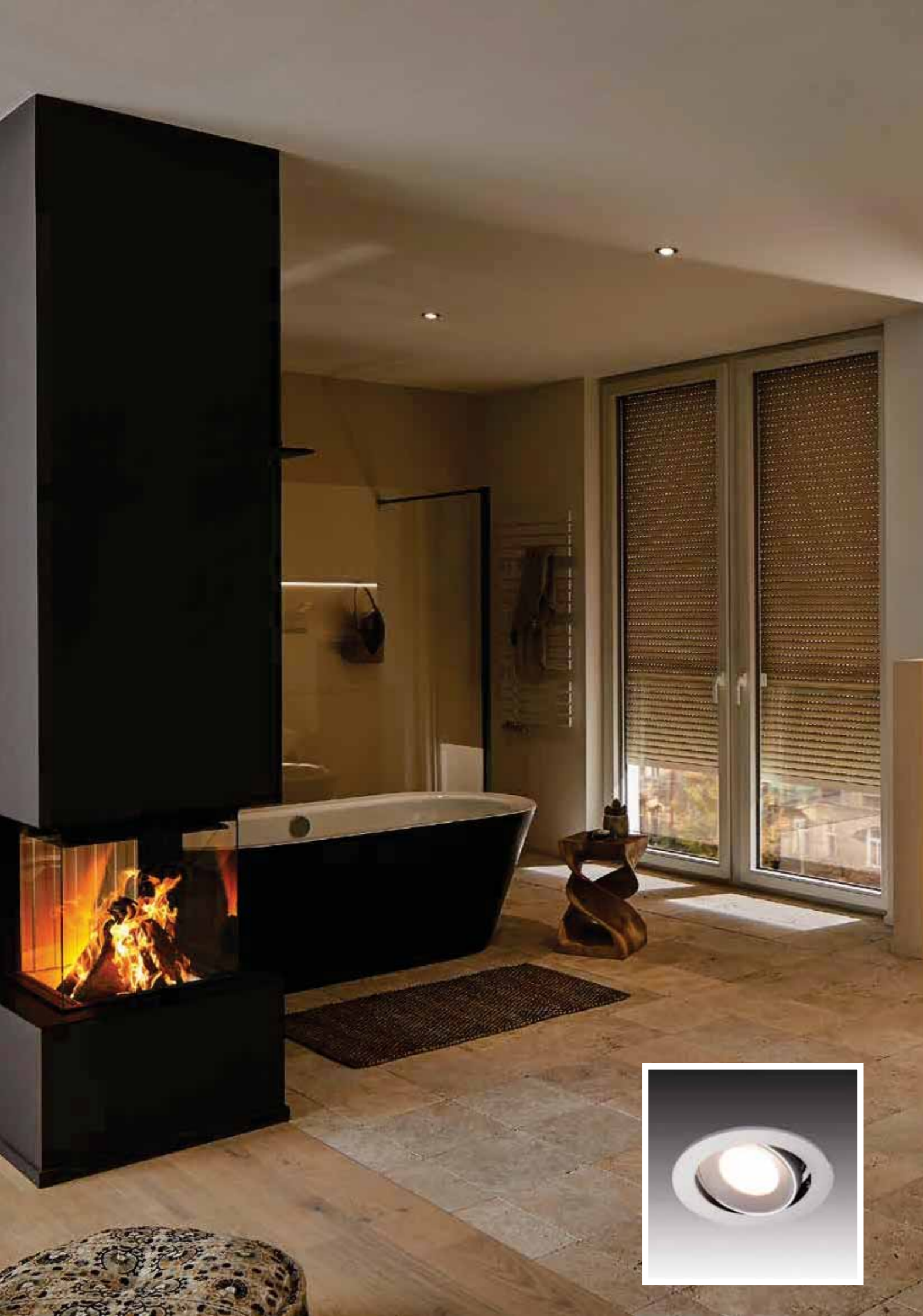


Illustration	Article No.	Description	Features	Weight approx.
	610 022 102 06	HV FR 68-LED 3W ww matt chrome	<ul style="list-style-type: none"> • colour appearance ww (warm white) approx. 3000K or nw (neutral white) approx. 4000K • supply cable 2m with HVLCS plug • recommended phase dimmer: Busch-Jaeger 6523U or Sygonix 33594C • black version on request 	100 g
	610 022 102 08	HV FR 68-LED 3W ww stainless steel look		100 g
	610 022 103 06	HV FR 68-LED 3W nw matt chrome		100 g
	610 022 103 08	HV FR 68-LED 3W nw stainless steel look		100 g
	205 010 211 06	Mounting ring R 68 matt chrome	• incl. fastening screw	12 g
	205 010 211 08	Mounting ring R 68 stainless steel look		12 g
	610 022 202 06	HV FR 78-LED 3W ww matt chrome	<ul style="list-style-type: none"> • colour appearance ww (warm white) approx. 3000K or nw (neutral white) approx. 4000K • supply cable 2m with HVLCS plug • recommended phase dimmer: Busch-Jaeger 6523U or Sygonix 33594C • black version on request 	100 g
	610 022 202 08	HV FR 78-LED 3W ww stainless steel look		100 g
	610 022 203 06	HV FR 78-LED 3W nw matt chrome		100 g
	610 022 203 08	HV FR 78-LED 3W nw stainless steel look		100 g
	615 000 301 31	Mounting spring HV 68/78	• for mounting in plasterboard ceilings or aluminium profiles	16 g
	215 440 320 01	HVLCS 43/2000 mains cable with Euro 2m	• with Euro plug	90 g
	215 441 120 01	HVLCS V/2000 6-way distributor with Euro 2m		120 g
	215 440 605 01	HVLCS 46/ 500 connecting cable 0,5m		30 g
	215 440 610 01	HVLCS 46/1000 connecting cable 1m		45 g
	215 440 615 01	HVLCS 46/1500 connecting cable 1,5m		60 g
	215 440 620 01	HVLCS 46/2000 connecting cable 2m		75 g



DIM-2-WARM SR 68

Colour appearance gets warmer while dimming



Connection: LED transformer DC 350 mA
Life: L70/B10 ≥ 39.000 hours
Energy efficiency: LED: 93 lm/W luminaire: 455 lm (70 lm/W)
Colour rendering: Ra/CRI > 92

Dim-2-Warm SR68		
		350mA
0,5m	43° Ø 360	3016 lx
1,0m	Ø 720	754 lx
1,5m	Ø 1080	335 lx
2,0m	Ø 1440	189 lx
2,5m	Ø 1800	121 lx

Special features:

- swivels and tilts 20° to both sides
- metal casing
- colour appearance ww (warm white) approx. 3000 K is getting warmer (up to 2000 K) while dimming (trailing edge dimmer only)
- suitable for screen workstations! (UGR < 19)

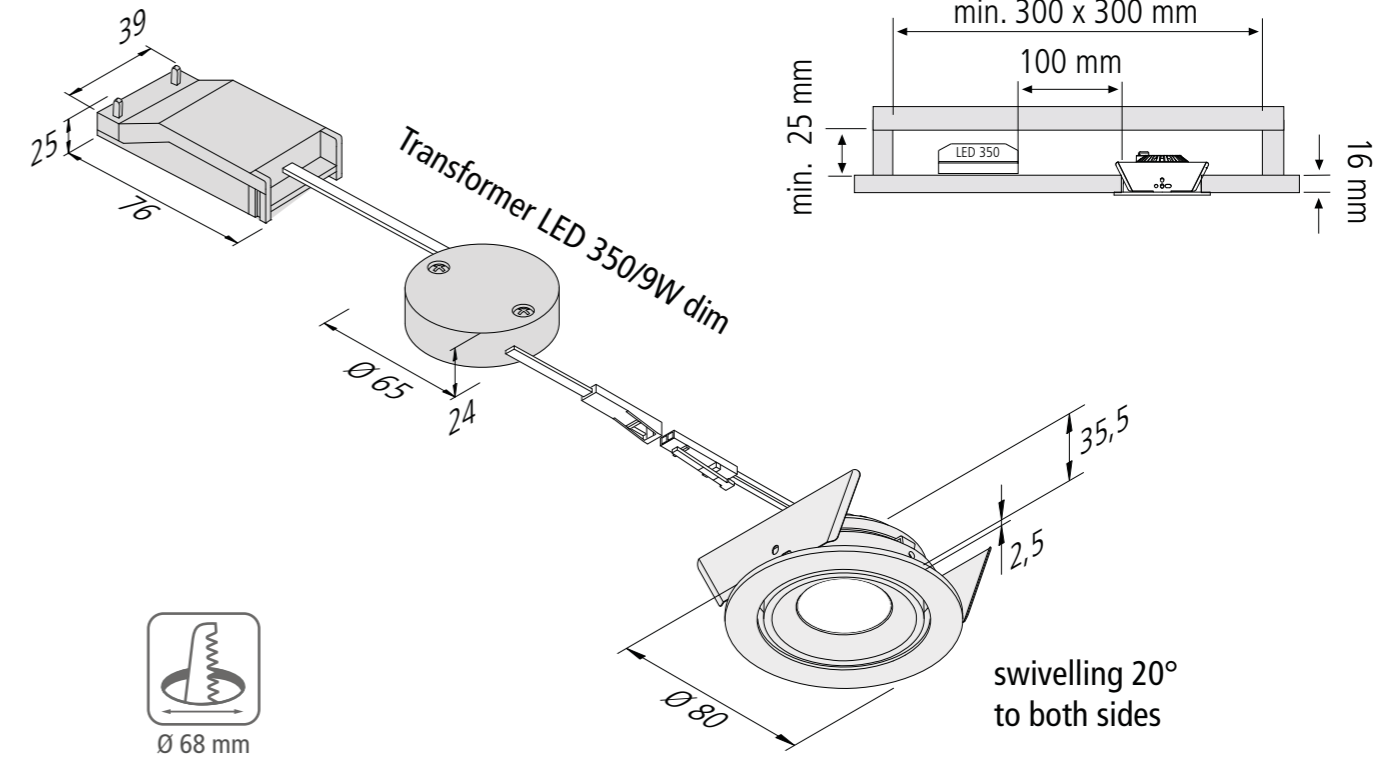


Illustration	Article No.	Description	Features	Weight approx.
	202 030 102 01	Dim-2-Warm SR 68 6,5W ww white	<ul style="list-style-type: none"> • colour appearance ww (warm white) approx. 3000K is getting warmer (up to 2000K) while dimming (trailing edge dimmer only) • supply cable 0,2m with LED 350 plug 	120 g
	202 030 102 06	Dim-2-Warm SR 68 6,5W ww matt chrome		120 g
	202 030 102 08	Dim-2-Warm SR 68 6,5W ww stainless steel look		120 g
	206 040 015 12	Transformer LED 350/ 9W dim with one socket	<ul style="list-style-type: none"> • incl. connection terminal for 230V with integrated through-wiring • minimum load: 1x SR 45 / SR68 (4,8W) / 1x Dim-2-Warm SR 68 / 5x LED Eye 1W • recommended phase dimmer: Sygonix 33594C or Jung 1730DD 	240 g
Accessories	Adapter rings page 171			



DYNAMIC SR 68

Recessed swivel and tilt LED luminaire with adjustable colour appearance



Connection: LED transformer DC 24 V
Life: L70/B10 ≥ 55.000 hours
Energy efficiency: LED: 105 lm/W luminaire: 420 lm (65 lm/W)
Colour rendering: Ra/CRI > 90

Dynamic SR 68-LED				
		xw	nw	cw
0,5m	∅ 300	2960 lx	3160 lx	3400 lx
1,0m	∅ 600	740 lx	790 lx	850 lx
1,5m	∅ 900	329 lx	351 lx	378 lx
2,0m	∅ 1200	185 lx	198 lx	213 lx
2,5m	∅ 1500	118 lx	126 lx	136 lx

Special features:

- swivels and tilts 20° to both sides
- metal casing
- colour appearance adjustable between 2700K (xw) and 5000K (cw)
- suitable for screen workstations! (UGR < 19)

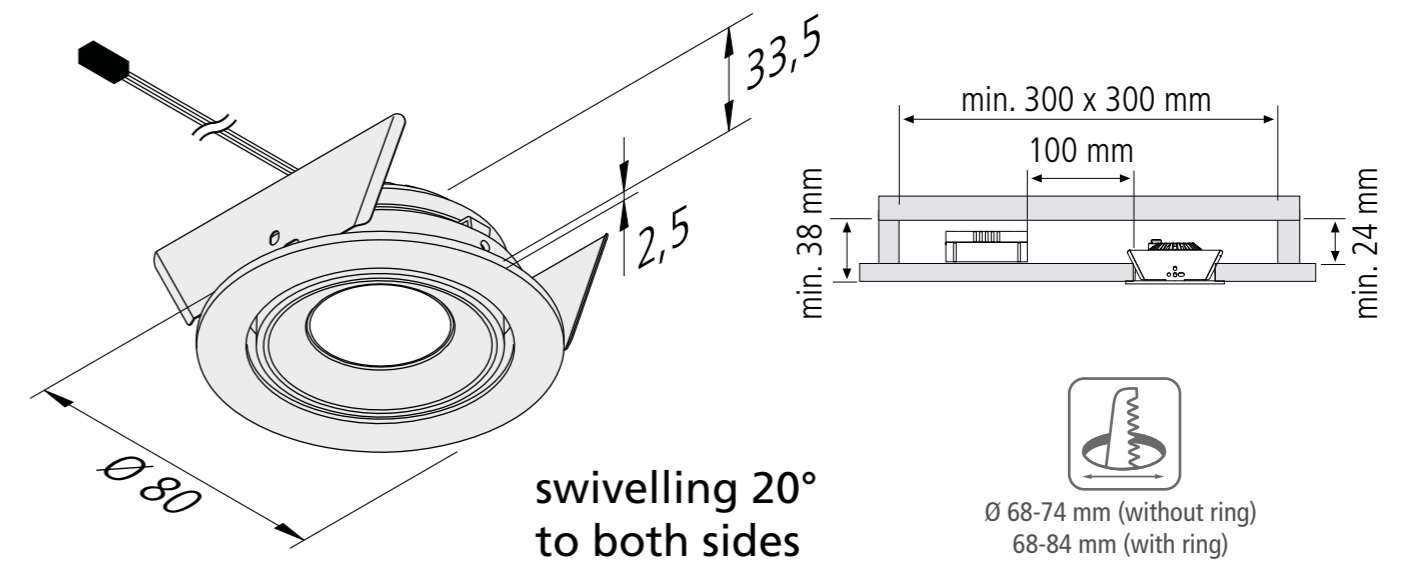


Illustration	Article No.	Description	Features	Weight approx.
	202 027 501 01	Dynamic SR 68-LED 6,5W white	<ul style="list-style-type: none"> • colour appearance adjustable between approx. 2700K and 5000K • supply cable 2,5m with Dynamic plug 	145 g
	202 027 501 06	Dynamic SR 68-LED 6,5W matt chrome		145 g
	202 027 501 08	Dynamic SR 68-LED 6,5W stainless steel look		145 g
	615 000 505 32	24V Dynamic-Controller radio 75W incl. 4 channel remote control black	<ul style="list-style-type: none"> • as essential accessory • colour change, dim and switch • 4-way distributor • further Dynamic-Controller (among other WiFi + DALI) page 255 	130 g
	615 000 505 31	24V Dynamic-Controller radio 75W incl. surface mounted remote control stainless steel look		105 g
	615 000 505 34	24V Dynamic-Controller radio 75W incl. recessed remote control stainless steel look		80 g
	215 350 610 01	Connecting cable Dynamic 1m	<ul style="list-style-type: none"> • connection between distributor and luminaire 	16 g
	215 350 625 01	Connecting cable Dynamic 2,5m		40 g
	215 080 607 14	Dynamic 4-way distributor	<ul style="list-style-type: none"> • cable 100mm with Dynamic plug • for 3 additional supply cables 	16 g
Accessories	LED transformers 24V from page 248 / DALI and WiFi controller page 255 / Adapter rings page 171			



SR 68 4.8W / 7.5W

Recessed swivel and tilt LED luminaire



Connection: LED transformer DC 350 mA
Life: L70/B10 ≥ 70.000 hours
Energy efficiency: LED: 120 lm/W luminaire **485 / 800 lm** (100 / 107 lm/W incl. transformer)
Colour rendering: Ra/CRI > 90 / 93

Special features:

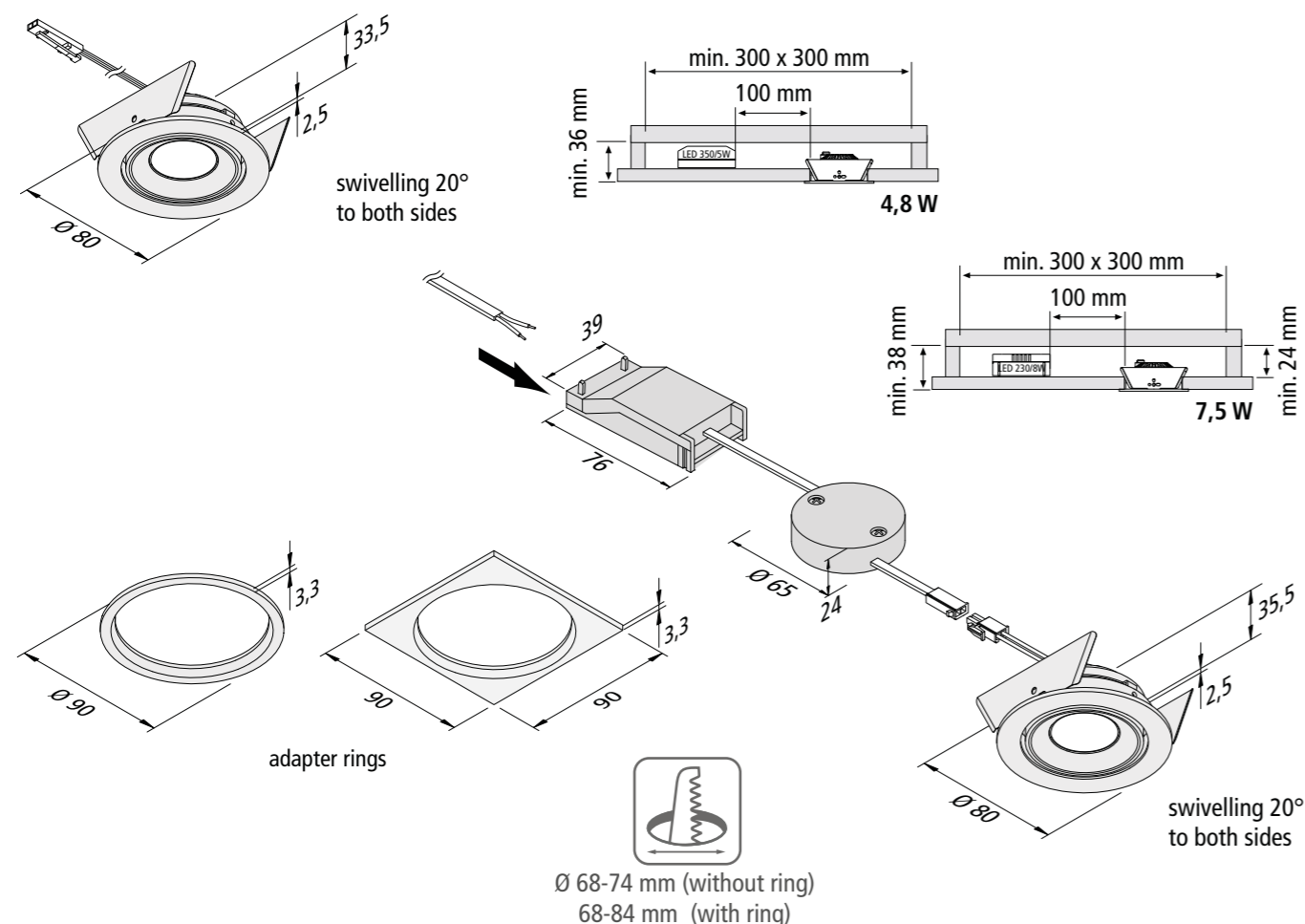
- swivels and tilts 20° to both sides
- metal casing
- suitable for screen workstations! (UGR < 19)

SR 68-LED 4,8W					
		xw	ww	nw	
0,5m	35°	Ø 280	3650 lx	3880 lx	4216 lx
1,0m		Ø 560	912 lx	970 lx	1054 lx
1,5m		Ø 840	406 lx	431 lx	468 lx
2,0m		Ø 1120	228 lx	243 lx	264 lx
2,5m		Ø 1400	146 lx	155 lx	169 lx

SR 68-LED 4,8W				
			ww	nw
0,5m	22°	Ø 180	6640 lx	7120 lx
1,0m		Ø 360	1660 lx	1780 lx
1,5m		Ø 540	738 lx	791 lx
2,0m		Ø 720	415 lx	445 lx
2,5m		Ø 900	266 lx	285 lx

SR 68-LED 7,5W					
		xw	ww	nw	
0,5m	30°	Ø 250	6320 lx	7640 lx	8280 lx
1,0m		Ø 500	1580 lx	1910 lx	2070 lx
1,5m		Ø 750	702 lx	849 lx	920 lx
2,0m		Ø 1000	395 lx	478 lx	518 lx
2,5m		Ø 1250	253 lx	306 lx	331 lx

Illustration	Article No.	Description	Features	Weight approx.
	202 024 017 01	SR 68-LED 4,8W 35° xw white	<ul style="list-style-type: none"> • colour appearance xw (extra warm white) approx. 2700K or ww (warm white) approx. 3000K or nw (neutral white) approx. 4000K • supply cable 0,2m with LED 350 plug • beam angle 22° or 35° 	110 g
	202 024 014 01	SR 68-LED 4,8W 35° xw matt chrome		110 g
	202 024 020 01	SR 68-LED 4,8W 35° xw stainless steel look		110 g
	202 024 002 01	SR 68-LED 4,8W 22° ww matt chrome		110 g
	202 024 015 01	SR 68-LED 4,8W 35° ww white		110 g
	202 024 012 01	SR 68-LED 4,8W 35° ww matt chrome		110 g
	202 024 018 01	SR 68-LED 4,8W 35° ww stainless steel look		110 g
	202 024 003 01	SR 68-LED 4,8W 22° nw matt chrome		110 g
	202 024 016 01	SR 68-LED 4,8W 35° nw white		110 g
	202 024 013 01	SR 68-LED 4,8W 35° nw matt chrome		110 g
	202 024 019 01	SR 68-LED 4,8W 35° nw stainless steel look		110 g
		610 014 757 01		SR 68-LED Set 7,5W 30° xw white
610 014 754 01		SR 68-LED Set 7,5W 30° xw matt chrome	260 g	
610 014 760 01		SR 68-LED Set 7,5W 30° xw stainless steel look	260 g	
610 014 755 01		SR 68-LED Set 7,5W 30° ww white	260 g	
610 014 752 01		SR 68-LED Set 7,5W 30° ww matt chrome	260 g	
610 014 758 01		SR 68-LED Set 7,5W 30° ww stainless steel look	260 g	
610 014 756 01		SR 68-LED Set 7,5W 30° nw white	260 g	
610 014 753 01		SR 68-LED Set 7,5W 30° nw matt chrome	260 g	
610 014 759 01		SR 68-LED Set 7,5W 30° nw stainless steel look	260 g	
	205 010 214 01	Adapter ring SR 68 round white	• for mounting in drill holes up to 84mm	12 g
	205 010 214 06	Adapter ring SR 68 round matt chrome		12 g
	205 010 214 08	Adapter ring SR 68 round stainless steel look		12 g
	205 010 214 11	Adapter ring SR 68 square white		29 g
	205 010 214 16	Adapter ring SR 68 square matt chrome		29 g
	205 010 214 18	Adapter ring SR 68 square stainless steel		29 g
	206 040 027 01	Transformer LED 350/5W with one socket	• mains cable 0,3m with ferrules (for easy ceiling suspension on 230V)	50 g





ECO HV SR 68

Recessed swivel LED luminaire with two light colours for 230V



Connection: 220 - 240V / 50 - 60Hz
Life: L70/B10 ≥ 40.000 hours
Energy efficiency: LED: 129 lm/W luminaire: **400 / 425 lm** (80 / 85 lm/W)
Colour rendering: Ra/CRI > 80

Eco HV SR68-LED		ww	nw
0,5m	∅ 290	2400 lx	2528 lx
1,0m	∅ 580	600 lx	632 lx
1,5m	∅ 870	267 lx	281 lx
2,0m	∅ 1160	150 lx	158 lx
2,5m	∅ 1450	96 lx	101 lx

Special features:

- for direct change of the two light colours at the spotlight housing
- direct connection to 230 V with integrated through-wiring
- swivelling radius 20°
- not dimmable

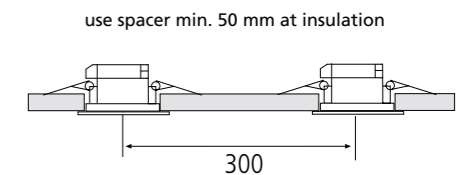
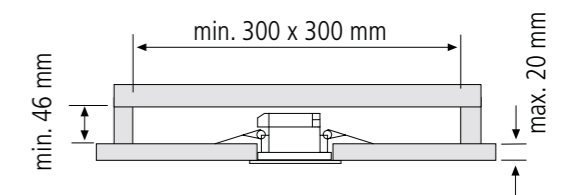
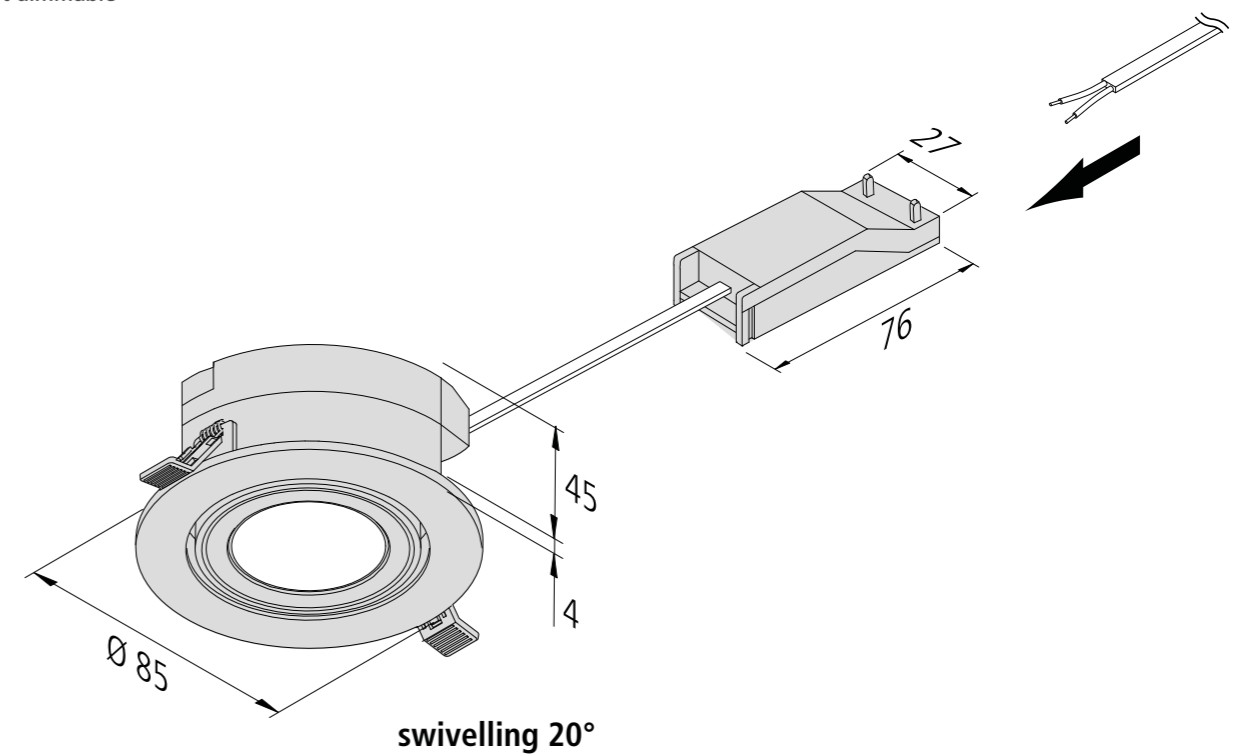


Illustration	Article No.	Description	Features	Weight approx.
	202 029 410 01	Eco HV SR 68-LED 5W ww/nw white	<ul style="list-style-type: none"> • colour appearance ww (warm white) approx. 3000K or nw (neutral white) approx. 4000K for direct setting at the spotlight housing • incl. terminal clamp for 230V with integrated through-wiring • beam angle 38° 	114 g
	202 029 460 01	Eco HV SR 68-LED 5W ww/nw matt chrome		114 g



AR 78 / AQ 78

Flat and powerful recessed LED luminaire



Connection: LED transformer DC 24 V
Life: L70/B10 ≥ 60.000 hours
Energy efficiency: LED: 90 lm/W luminaire: **450 lm** (60 lm/W)
Colour rendering: Ra/CRI > 97

AR 78-LED / AQ 78-LED		ww	nw
0,5m	Ø 500	888 lx	960 lx
1,0m	Ø 1000	222 lx	240 lx
1,5m	Ø 1500	99 lx	107 lx
2,0m	Ø 2000	56 lx	60 lx
2,5m	Ø 2500	36 lx	38 lx

Special features:

- flush mounting in 16 mm panels
- metal casing
- genuine glass cover
- with mounting spring also ideal for the use in plasterboard ceilings
- glare-free with recessed reflector and clear diffuser

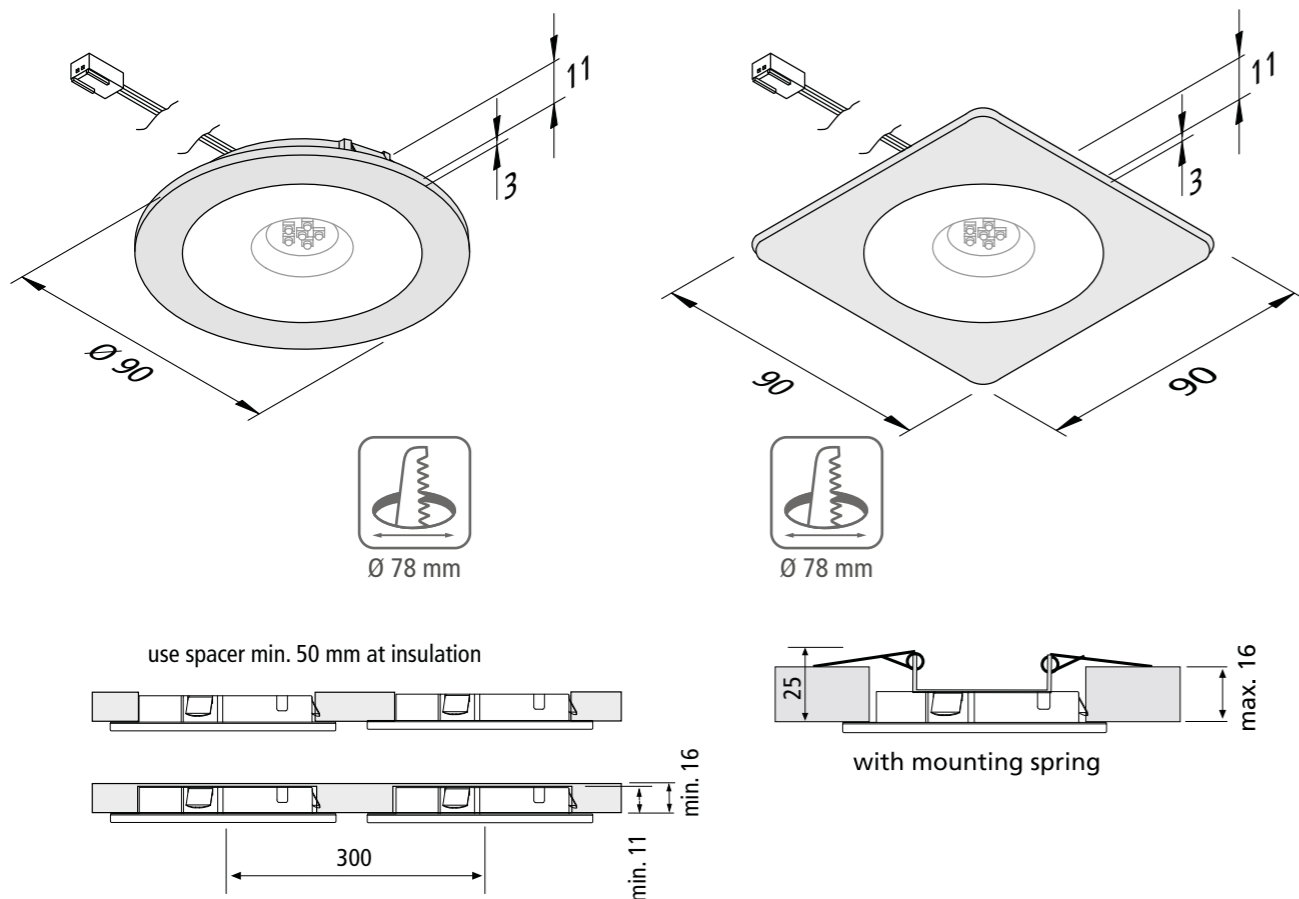


Illustration	Article No.	Description	Features	Weight approx.
	610 014 302 01	AR 78-LED, 7,5W ww white	<ul style="list-style-type: none"> • colour appearance ww (warm white) approx. 3000K • supply cable 2,5m with LED 24 plug 	115 g
	610 014 302 03	AR 78-LED, 7,5W ww black		115 g
	610 014 302 08	AR 78-LED, 7,5W ww stainless steel look		115 g
	610 014 303 01	AR 78-LED, 7,5W nw white		115 g
	610 014 303 03	AR 78-LED, 7,5W nw black		115 g
	610 014 303 08	AR 78-LED, 7,5W nw stainless steel look		115 g
	610 015 102 01	AQ 78-LED, 7,5W ww white	<ul style="list-style-type: none"> • colour appearance ww (warm white) approx. 3000K • supply cable 2,5m with LED 24 plug 	115 g
	610 015 102 03	AQ 78-LED, 7,5W ww black		115 g
	610 015 102 08	AQ 78-LED, 7,5W ww stainless steel		115 g
	610 015 103 01	AQ 78-LED, 7,5W nw white		115 g
	610 015 103 03	AQ 78-LED, 7,5W nw black		115 g
	610 015 103 08	AQ 78-LED, 7,5W nw stainless steel look		115 g
	615 000 301 01	Mounting spring ARF 68/78/Q	• for mounting in plasterboard ceilings or aluminium profiles	24 g
	215 300 610 01	LED 24 connecting cable 1,0m	<ul style="list-style-type: none"> • up to max. 60W usable • further information on page 250 	9 g
	215 300 625 01	LED 24 connecting cable 2,5m		22 g
	206 040 011 01	Transformer LED 24/ 15W DC 24V	<ul style="list-style-type: none"> • mains cable 2m with Euro plug • 12-way distributor 	167 g
	206 040 012 01	Transformer LED 24/ 30W DC 24V		330 g
	206 040 019 01	Transformer LED 24/ 75W DC 24V		460 g
	615 000 505 26	24V Dim-Controller radio 80W incl. 4 channel remote control black	<ul style="list-style-type: none"> • to dim and switch • with 12-way distributor • further dim-controller (among other WiFi + DALI) page 256 	130 g
	615 000 505 23	24V Dim-Controller radio 80W incl. surface mounted remote control stainless steel look		105 g
	615 000 505 24	24V Dim-Controller radio 80W incl. recessed remote control stainless steel look		80 g



DYNAMIC FR 215

Recessed LED luminaire with planar light and adjustable colour appearance



Connection: LED transformer DC 24 V
Life: L70/B10 ≥ 60.000 hours
Energy efficiency: LED: 124 lm/W luminaire: **1700 - 2500 lm** (68 - 100 lm/W)
Colour rendering: Ra/CRI > 89

Dynamic FR 215-LED				
		xw	nw	cw
0,5m	∅ 600	2940 lx	3640 lx	4360 lx
1,0m	∅ 1200	735 lx	910 lx	1090 lx
1,5m	∅ 1800	327 lx	404 lx	484 lx
2,0m	∅ 2400	184 lx	228 lx	273 lx
2,5m	∅ 3000	118 lx	146 lx	174 lx

Special features:

- suitable for mounting in metal sheet
- no visible luminous spots
- colour appearance adjustable between 2700K (xw) and 5000K (cw)

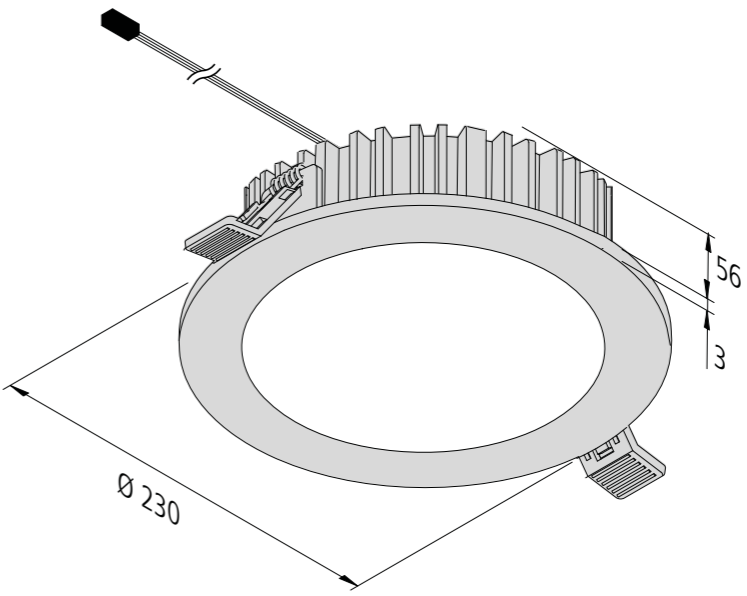


Illustration	Article No.	Description	Features	Weight approx.
	202 021 240 01	Dynamic FR 215-LED 25W white	<ul style="list-style-type: none"> • colour appearance adjustable between approx. 2700K and 5000K • supply cable 2,5m with Dynamic plug 	730 g
	615 000 505 32	24V Dynamic-Controller radio 75W incl. 4 channel remote control black	<ul style="list-style-type: none"> • as essential accessory • colour change, dim and switch • 4-way distributor • further Dynamic-Controller (among other WiFi + DALI) page 255 	130 g
	615 000 505 31	24V Dynamic-Controller radio 75W incl. surface mounted remote control stainless steel look		105 g
	615 000 505 34	24V Dynamic-Controller radio 75W incl. recessed remote control stainless steel look		80 g
	215 350 610 01	Connecting cable Dynamic 1m	• connection between distributor and luminaire	16 g
	215 350 625 01	Connecting cable Dynamic 2,5m		40 g
	215 080 607 14	Dynamic 4-way distributor	<ul style="list-style-type: none"> • cable 100mm with Dynamic plug • for 3 additional supply cables 	16 g
	Accessories	LED transformers 24V from page 248 / DALI and WiFi controller page 255		

Introduction
Power supply track system
Linear luminaires
Recessed and surface mounted luminaires
Showcase and over cabinet luminaires
Under cabinet luminaires
Accessories
Appendix



FR 65/205 / FQ 65/205

Dimmable recessed / surface mounted luminaire for drill hole 65 - 205 mm



Connection: 220 - 240V / 50 - 60Hz
Life: L70/B10 ≥ 36.000 hours
Energy efficiency: LED: 100 lm/W luminaire: **1170 lm** (65 lm/W)
Colour rendering: Ra/CRI > 80

FR- / FQ 65/205-LED				
		xw	ww	nw
0,5m	115° Ø 650	1580 lx	1660 lx	1744 lx
1,0m	Ø 1300	395 lx	415 lx	436 lx
1,5m	Ø 1950	176 lx	184 lx	194 lx
2,0m	Ø 2600	99 lx	104 lx	109 lx
2,5m	Ø 3250	63 lx	66 lx	70 lx

Special features:

- Direct connection to 230V with integrated through-wiring
- no visible luminous spots
- adjustable mounting spring for all drill holes from 65 to 205mm
- recommended phase dimmer: Busch-Jaeger 6523U-102, Jung 1730DD or Sygonix 33594R

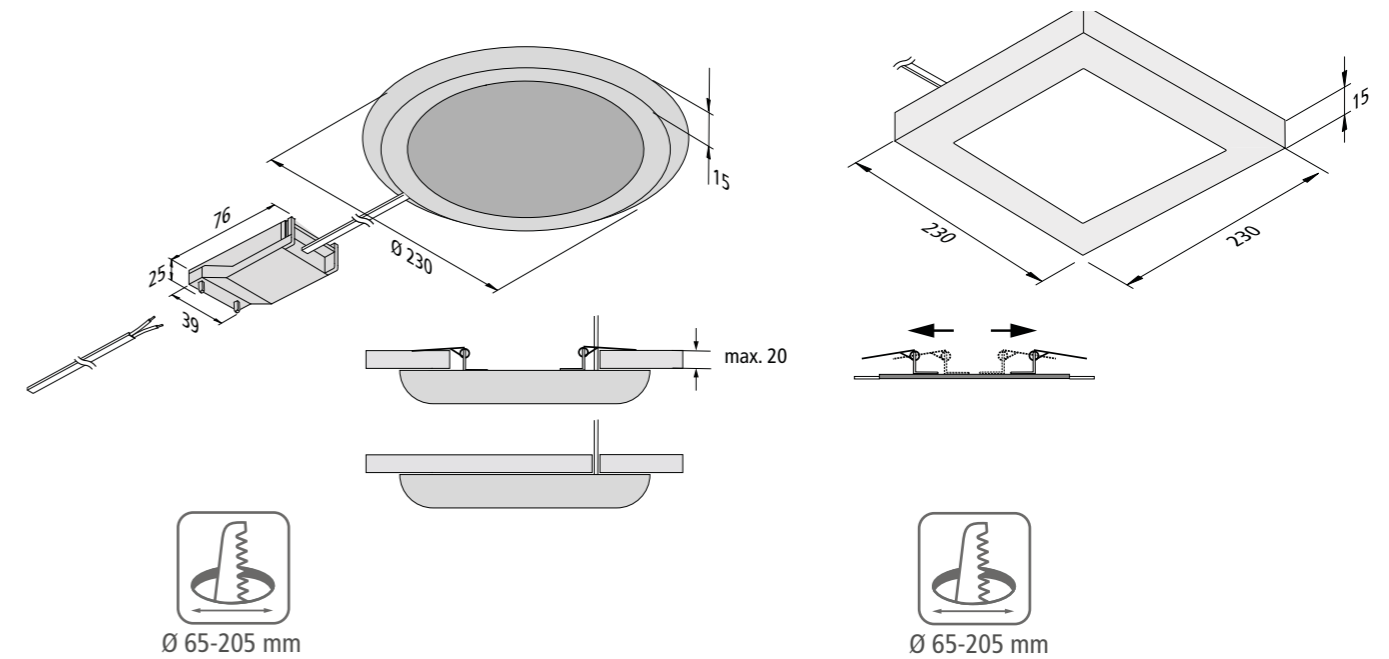


Illustration	Article No.	Description	Features	Weight approx.
	202 030 701 03	FR 65/205-LED 18W xw white	<ul style="list-style-type: none"> • colour appearance xw (extra warm white) approx. 2700K or ww (warm white) approx. 3000K or nw (neutral white) approx. 4000K • incl. terminal for 230V with integrated through-wiring • recommended phase dimmer: Busch-Jaeger 6523U-102, Jung 1730DD or Sygonix 33594R 	362 g
	202 030 706 03	FR 65/205-LED 18W xw matt chrome		362 g
	202 030 701 02	FR 65/205-LED 18W ww white		362 g
	202 030 706 02	FR 65/205-LED 18W ww matt chrome		362 g
	202 030 701 01	FR 65/205-LED 18W nw white		362 g
	202 030 706 01	FR 65/205-LED 18W nw matt chrome		362 g
	202 030 801 03	FQ 65/205-LED 18W xw white	<ul style="list-style-type: none"> • colour appearance xw (extra warm white) approx. 2700K or ww (warm white) approx. 3000K or nw (neutral white) approx. 4000K • incl. terminal for 230V with integrated through-wiring • recommended phase dimmer: Busch-Jaeger 6523U-102, Jung 1730DD or Sygonix 33594R 	462 g
	202 030 801 02	FQ 65/205-LED 18W ww white		462 g
	202 030 801 01	FQ 65/205-LED 18W nw white		462 g



PANEL

LED light panel

Introduction



Connection: LED transformer DC 24 V
Life: L70/B10 ≥ 50.000 hours (RGB: 40.000 hours)
Colour rendering: Ra/CRI > 80

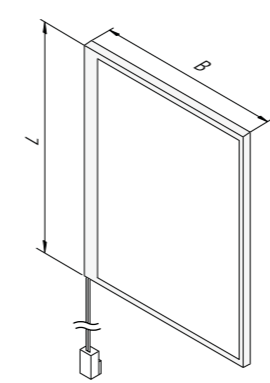
Power supply track system

Special features:

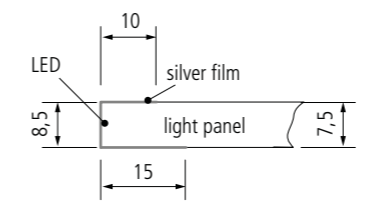
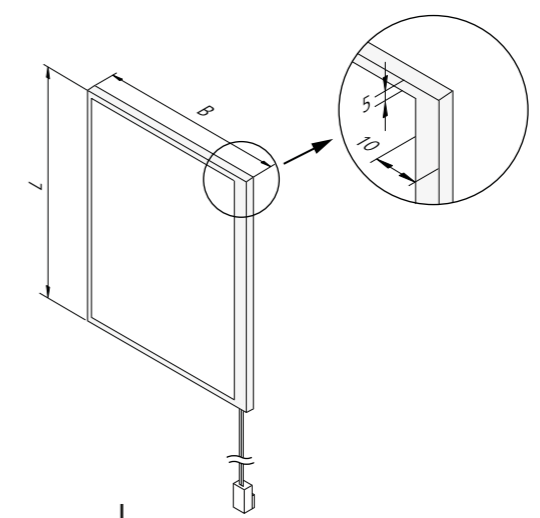
- with integrated diffuser for homogeneous planar light without luminous spots
- the supply cable is set on the longest side (L) which has a width from about 10mm (without supply: 5 mm)
- double sided supply for Panels with a width from about > 500 mm to ensure homogeneous planar light
- further dimensions: from 1 piece

Linear luminaires

version left



version right



Recessed and surface mounted luminaires

Showcase and over cabinet luminaires

Under cabinet luminaires



Illustration	Article No.	Description	Features	Weight approx.
	on demand 1	LED Panel F max. 2 x 1m nw / ww	<ul style="list-style-type: none"> • without frame • with diffuser • colour appearance ww (warm white) approx. 3000K or nw (neutral white) ca. 4000K • supply cable 2,5m with LED 24 plug 	on demand
	on demand 2	LED Panel F max. 2 x 1m RGB	<ul style="list-style-type: none"> • without frame • with diffuser • colour appearance RGB • supply cable 2,5m with LED 24 plug 	on demand

Accessories

Appendix



BEDSIDE READING LUMINAIRE

LED recessed / surface mounted luminaire for 230 V



Connection: 220 - 240V / 50 - 60Hz
Life: L70/B10 ≥ 60.000 hours
Energy efficiency: LED: 120 lm/W luminaire: **180 lm** (60 lm/W)
Colour rendering: Ra/CRI > 90

Bedside reading luminaire		
	ww	
0,5m	Ø 300	1480 lx
1,0m	Ø 600	370 lx
1,5m	Ø 900	164 lx
2,0m	Ø 1200	93 lx
2,5m	Ø 1500	59 lx

Special features:

- usable as recessed and surface mounted version
- 350° swiveling and 90° tilt
- direct connection to 230V

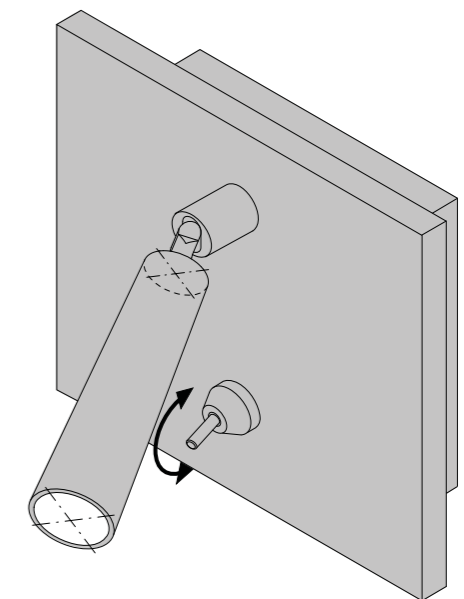
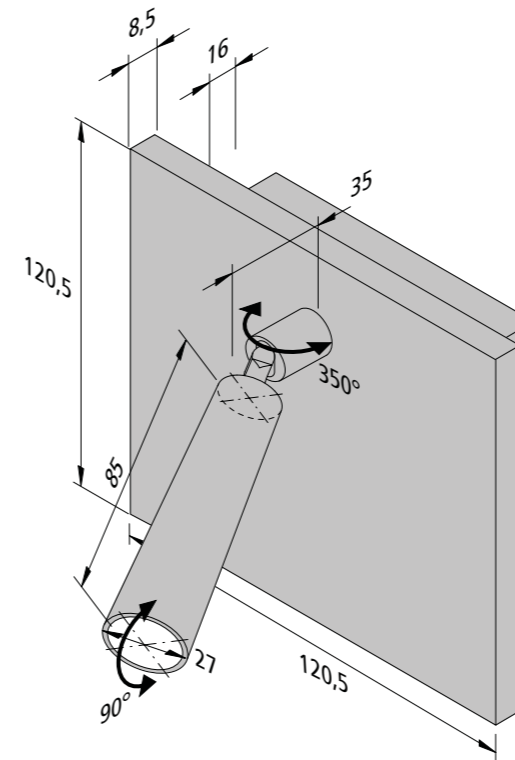


Illustration	Article No.	Description	Features	Weight approx.
	202 031 003 02	BL1-LED recessed/surface mounted 3W black	<ul style="list-style-type: none"> • without switch • colour appearance ww (warm white) approx. 3000K 	570 g
	202 031 008 02	BL1-LED recessed/surface mounted 3W stainless steel look		570 g
	202 031 013 02	BL1-LED recessed/surface mounted 3W black	<ul style="list-style-type: none"> • with switch • colour appearance ww (warm white) approx. 3000K 	570 g
	202 031 018 02	BL1-LED recessed/surface mounted 3W stainless steel look		570 g

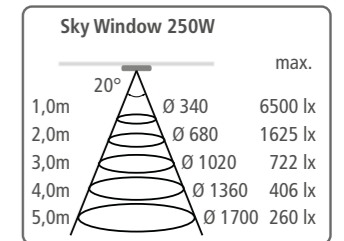
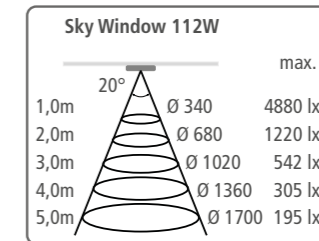


SKY WINDOW

Recessed or surface mounted luminaire with daylight control and sunlight spectrum



Connection: 220 - 240V / 50 - 60Hz
Life: L70/B10 ≥ 50.000 hours
Colour rendering: Ra/CRI > 95



Special features:

- Daylight has a huge impact on the well-being. Sky Window brings sunshine wherever it is needed.
- Create natural daylight indoor, thanks to full spectrum LEDs (Sunlike-LED) and a smart daylight control.
- The daylight ambience is realized by the simulated and illuminated 3D sky and the connectible solar radiation. Amazing real daylight effects can be achieved.
- Due to the used Sunlike-LED, the colour rendering is Ra > 95, the same applies to the R9 value.
- The colour appearance can be adjusted continuously from 2.500K to 10.000K per app.
- The smart light control enables the 24 hour rhythm and if necessary even analogously to the different time zones worldwide.
- Up to 64 Sky Window luminaires can be controlled and switched in parallel.
- Suitable for screen workstations! (UGR < 19)



Illustration	Article No.	Description	Features	Weight approx.
	202 030 610 02	Sky Window 600 x 600mm 112W incl. milled frame	<ul style="list-style-type: none"> • incl. transformer • white 	12000 g
	202 030 610 01	Sky Window 1200 x 600mm 250W	<ul style="list-style-type: none"> • incl. transformer • white 	15500 g
	202 010 166 02	Milled frame Sky Window 1200 x 600mm	<ul style="list-style-type: none"> • white 	4000 g
	202 010 166 12	Mounting frame Sky Window 1200 x 600mm	<ul style="list-style-type: none"> • white 	10500 g
	208 050 050 21	Control Panel Sky Window	<ul style="list-style-type: none"> • 86 x 86 x 36mm • incl. wall socket 	170 g



Introduction

Power supply track system

Linear luminaires

Recessed and surface mounted luminaires

Showcase and over cabinet luminaires

Under cabinet luminaires

Accessories

Appendix



Introduction

Power supply track system

Linear luminaires

Recessed and surface mounted luminaires

Showcase and over cabinet luminaires

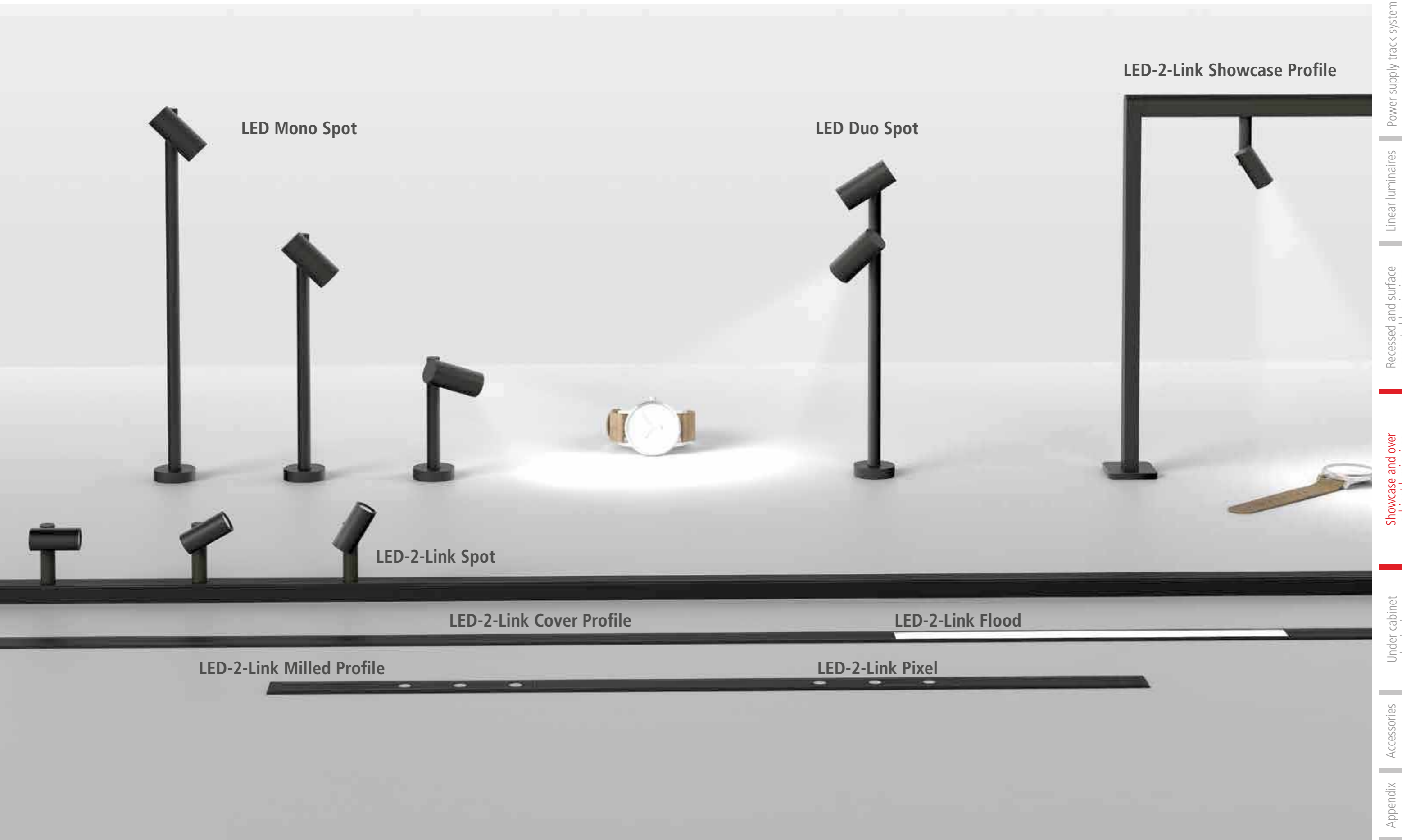
Under cabinet luminaires

Accessories

Appendix

SHOWCASE & OVER CABINET LUMINAIRES

Our showcase and over cabinet luminaires skilfully set your exhibits centre-stage and give them a special shine and attention.



LED Mono Spot

LED Duo Spot

LED-2-Link Showcase Profile

LED-2-Link Spot

LED-2-Link Cover Profile

LED-2-Link Flood

LED-2-Link Milled Profile

LED-2-Link Pixel



Photo: Juwelier Dural

SPOT

Rotate and swivel LED spotlight

Introduction

Power supply track system

Linear luminaires

Recessed and surface mounted luminaires

Showcase and over cabinet luminaires

Under cabinet luminaires

Accessories

Appendix



Connection: LED transformer DC 24 V
Life: L90/B10 ≥ 60.000 hours
Energy efficiency: LED 110 lm/W; luminaire: 80 / 150 lm (53 / 50 lm/W)
Colour rendering: Ra/CRI > 90

Special features:

- height infinitely variable up to 300 mm
- 360° rotating and swiveling by 300°

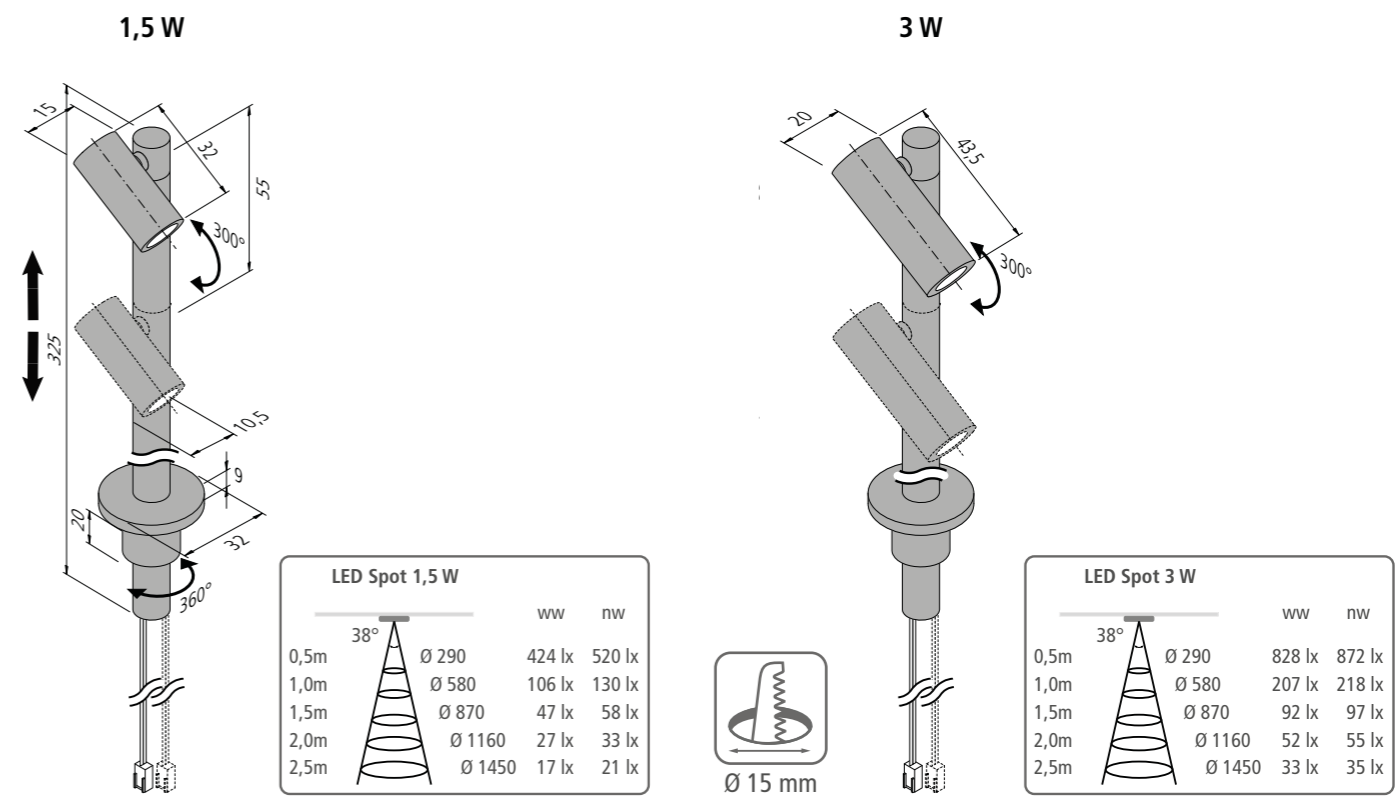


Illustration	Article No.	Description	Features	Weight approx.
	202 027 803 02	LED Mono Spot 1,5W ww black	<ul style="list-style-type: none"> • colour appearance ww (warm white) approx. 3000K or nw (neutral white) approx. 4000K • supply cable 2,2m with LED 24 plug • beam angle 38° 	150 g
	202 027 801 02	LED Mono Spot 1,5W ww anodized aluminium		150 g
	202 027 803 03	LED Mono Spot 1,5W nw black		150 g
	202 027 801 03	LED Mono Spot 1,5W nw anodized aluminium		150 g
	202 027 823 02	LED Duo Spot 2x1,5W ww black		180 g
	202 027 821 02	LED Duo Spot 2x1,5W ww anodized aluminium		180 g
	202 027 823 03	LED Duo Spot 2x1,5W nw black		180 g
	202 027 821 03	LED Duo Spot 2x1,5W nw anodized aluminium		180 g
	202 027 903 02	LED Mono Spot 3W ww black	<ul style="list-style-type: none"> • colour appearance ww (warm white) approx. 3000K or nw (neutral white) approx. 4000K • supply cable 2,2m with LED 24 plug • beam angle 38° 	170 g
	202 027 901 02	LED Mono Spot 3W ww anodized aluminium		170 g
	202 027 903 03	LED Mono Spot 3W nw black		170 g
	202 027 901 03	LED Mono Spot 3W nw anodized aluminium		170 g
	202 027 923 02	LED Duo Spot 2x3W ww black		225 g
	202 027 921 02	LED Duo Spot 2x3W ww anodized aluminium		225 g
	202 027 923 03	LED Duo Spot 2x3W nw black		225 g
	202 027 921 03	LED Duo Spot 2x3W nw anodized aluminium		225 g
Accessories	LED transformers 24V from page 248 / DALI and WiFi controller page 256			

¹⁾ version on request



Photo: Juwelier Dural

LED-2-LINK SPOT

Rotate and swivel system spotlight



Connection: LED transformer DC 24 V
Life: L90/B10 ≥ 60.000 hours
Energy efficiency: LED 110 lm/W; luminaire: **80 lm** (53 lm/W)
Colour rendering: Ra/CRI > 90

LED-2-Link Spot		ww	nw
0,5m	∅ 290	424 lx	520 lx
1,0m	∅ 580	106 lx	130 lx
1,5m	∅ 870	47 lx	58 lx
2,0m	∅ 1160	27 lx	33 lx
2,5m	∅ 1450	17 lx	21 lx

Special features:

- 300° rotatable and swivelable by 300°
- max. 48 W per supply cable

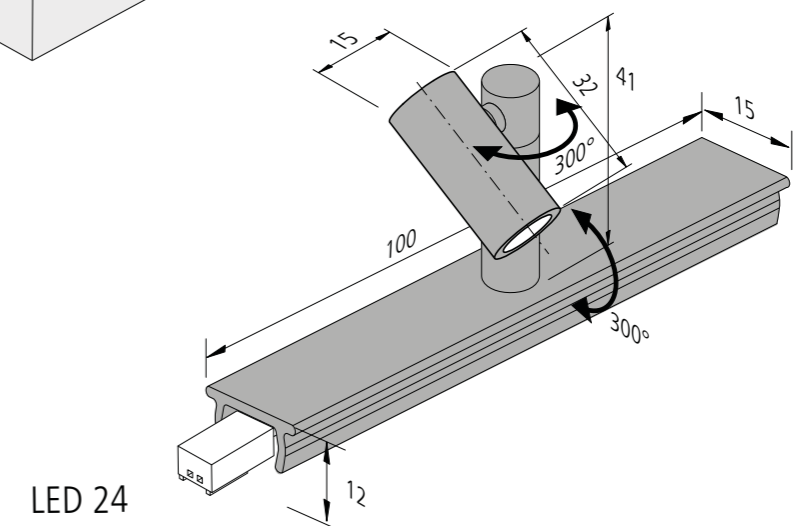
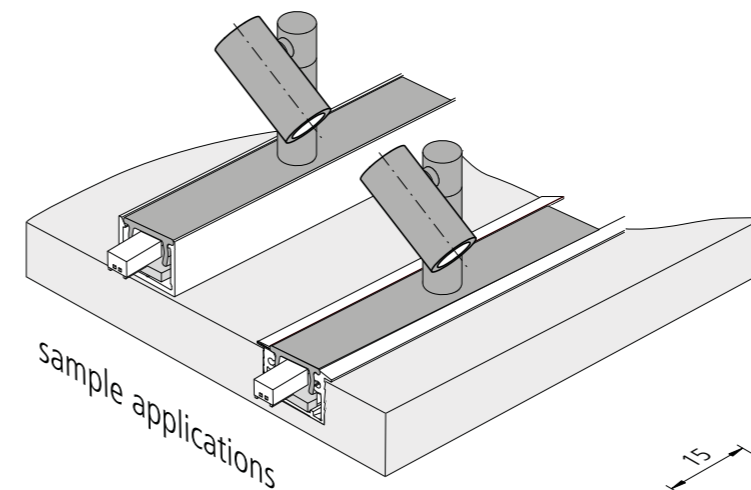


Illustration	Article No.	Description	Features	Weight approx.
	610 021 303 02	LED 2 Link Spot 1x 1,5W ww black	<ul style="list-style-type: none"> • colour appearance ww (warm white) approx. 3000K or nw (neutral white) approx. 4000K • through circuit with LED 24 plug and LED 24 socket • beam angle 38° • one module 100mm 	38 g
	610 021 301 02	LED 2 Link Spot 1x 1,5W ww anodized aluminium		38 g
	610 021 303 03	LED 2 Link Spot 1x 1,5W nw black		38 g
	610 021 301 03	LED 2 Link Spot 1x 1,5W nw anodized aluminium	<ul style="list-style-type: none"> • colour appearance ww (warm white) approx. 3000K or nw (neutral white) approx. 4000K • through circuit with LED 24 plug and LED 24 socket • beam angle 38° • three modules 300mm 	38 g
	610 021 333 02	LED 2 Link Spot 3x 1,5W ww black		114 g
	610 021 331 02	LED 2 Link Spot 3x 1,5W ww anodized aluminium		114 g
	610 021 333 03	LED 2 Link Spot 3x 1,5W nw black	<ul style="list-style-type: none"> • beam angle 38° • three modules 300mm 	114 g
	610 021 331 03	LED 2 Link Spot 3x 1,5W nw anodized aluminium		114 g
Accessories	Profiles + connecting cable from page 203 / LED transformers 24V from page 248			



LED-2-LINK PIXEL

Small system spotlights

Introduction



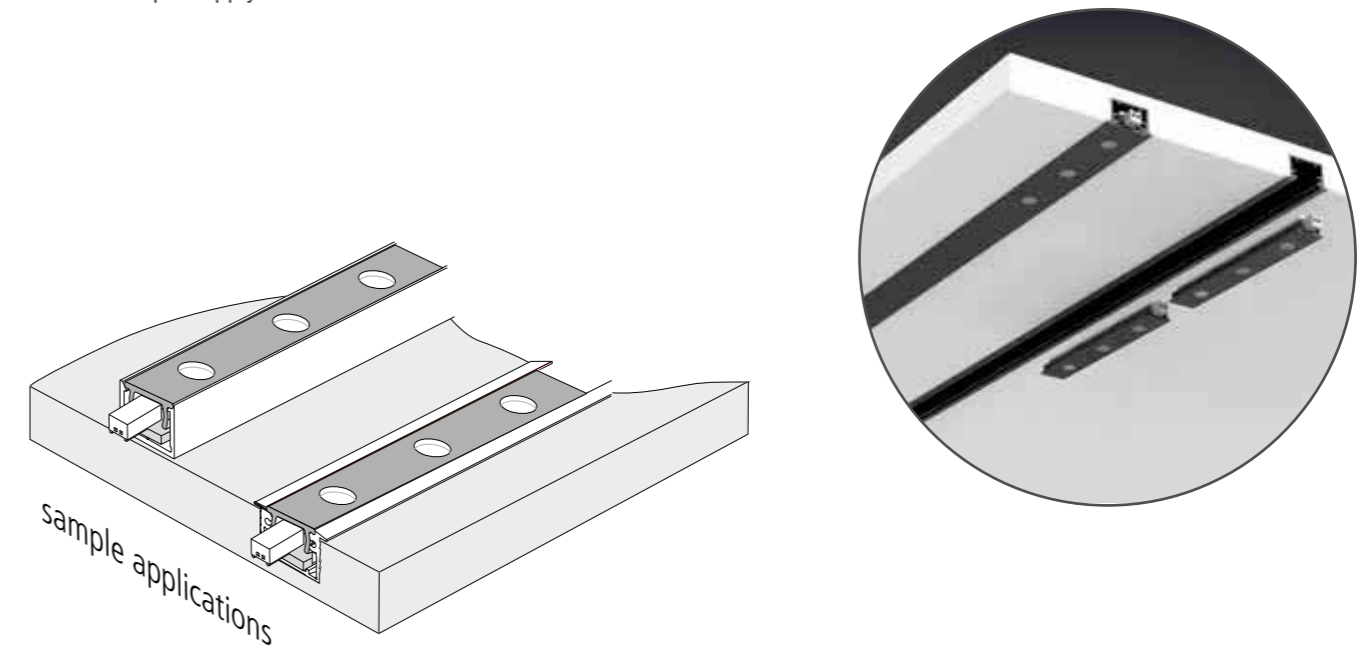
Connection: LED transformer DC 24 V
Life: L90/B10 ≥ 60.000 hours
Energy efficiency: LED 102 lm/W; luminaire: **205 lm** (57 lm/W)
Colour rendering: Ra/CRI > 95

LED-2-Link Pixel		ww	nw
0,5m	∅ 280	1620 lx	1780 lx
1,0m	∅ 560	405 lx	445 lx
1,5m	∅ 840	180 lx	198 lx
2,0m	∅ 1120	101 lx	111 lx
2,5m	∅ 1400	65 lx	71 lx

Special features:

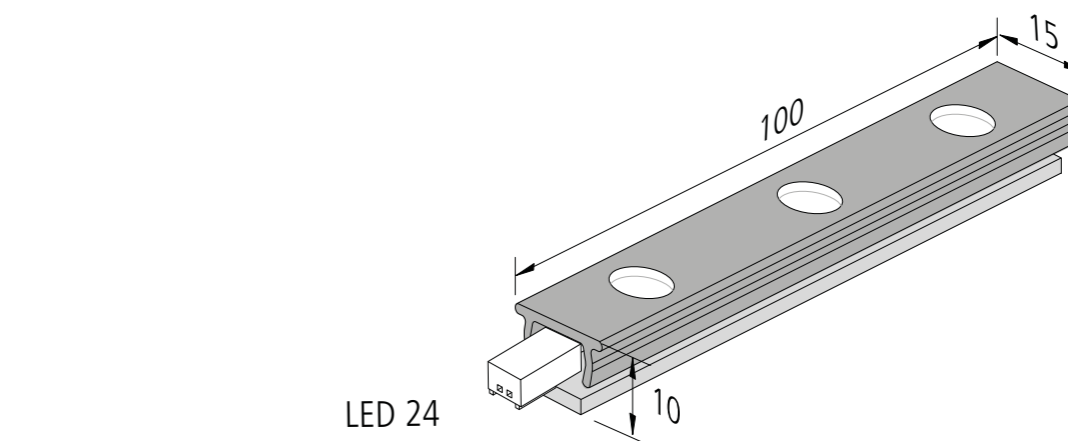
- max. 48W per supply cable

Power supply track system



Linear luminaires

Recessed and surface mounted luminaires



Showcase and over cabinet luminaires

Under cabinet luminaires



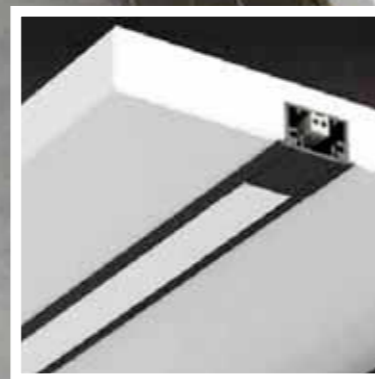
Accessories

Appendix

Illustration	Article No.	Description	Features	Weight approx.
	610 021 203 02	LED 2 Link Pixel 3x 1,2W ww black	<ul style="list-style-type: none"> • colour appearance ww (warm white) approx. 3000K or nw (neutral white) approx. 4000K • through circuit with LED 24 plug and LED 24 socket • beam angle 35° • three modules 100mm 	13 g
	610 021 201 02	LED 2 Link Pixel 3x 1,2W ww anodized aluminium		13 g
	610 021 203 03	LED 2 Link Pixel 3x 1,2W nw black		13 g
	610 021 201 03	LED 2 Link Pixel 3x 1,2W nw anodized aluminium		13 g
	Accessories	Profiles + connecting cable from page 203 / LED transformers 24V from page 248		



Photo: Juwelier Dural



LED-2-LINK FLOOD

System linear luminaire with homogeneous planar light



Connection: LED transformer DC 24 V
Life: L90/B10 ≥ 60.000 hours
Energy efficiency: LED 107 lm/W; luminaire: 935 lm/m (58 lm/W)
Colour rendering: Ra/CRI > 98

Special features:

- no visible luminous spots
- max. 60W per supply cable

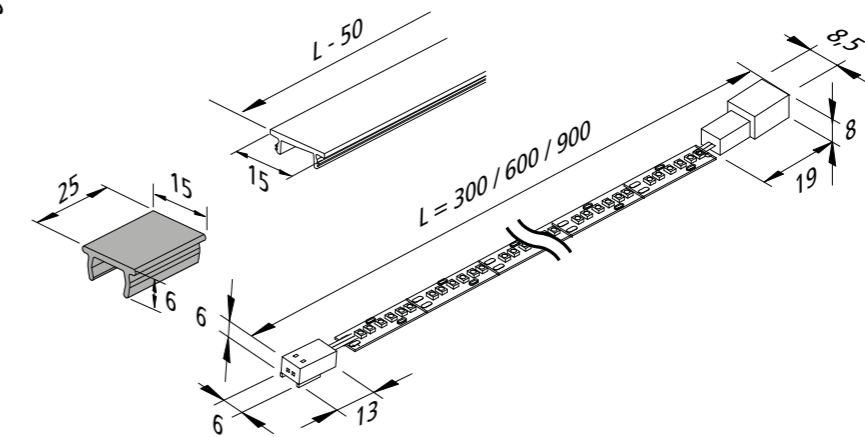
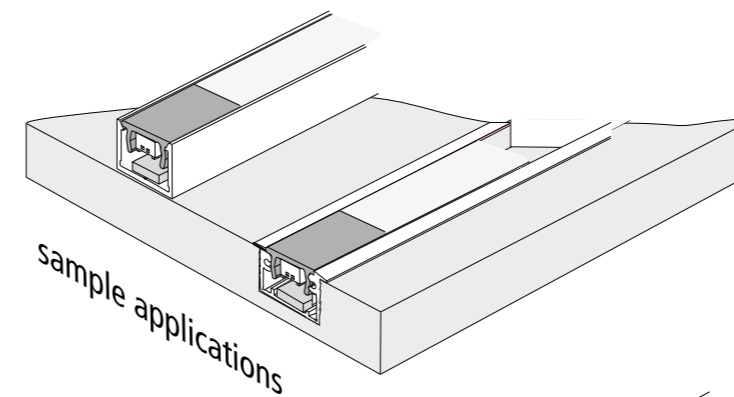


Illustration	Article No.	Description	Features	Weight approx.
	610 021 603 02	LED-2 Link Flood 4,8W ww 300mm black	<ul style="list-style-type: none"> • colour appearance ww (warm white) approx. 3000K or nw (neutral white) approx. 4000K • through circuit with LED 24 plug and LED 24 socket • incl. cover profile highly matt • incl. 2x 25mm aluminium cover profile • beam angle 120° 	26 g
	610 021 601 02	LED-2-Link Flood 4,8W ww 300mm anodized aluminium		26 g
	610 021 603 03	LED-2-Link Flood 4,8W nw 300mm black		26 g
	610 021 601 03	LED-2-Link Flood 4,8W nw 300mm anodized aluminium		26 g
	610 021 613 02	LED-2-Link Flood 10,4W ww 600mm black		47 g
	610 021 611 02	LED-2-Link Flood 10,4W ww 600mm anodized aluminium		47 g
	610 021 613 03	LED-2-Link Flood 10,4W nw 600mm black		47 g
	610 021 611 03	LED-2-Link Flood 10,4W nw 600mm anodized aluminium		47 g
	610 021 623 02	LED-2-Link Flood 16,1W ww 900mm black		70 g
	610 021 621 02	LED-2-Link Flood 16,1W ww 900mm anodized aluminium		70 g
	610 021 623 03	LED-2-Link Flood 16,1W nw 900mm black		70 g
	610 021 621 03	LED-2-Link Flood 16,1W nw 900mm anodized aluminium		70 g
Accessories	Profiles + connecting cable from page 203 / LED transformers 24V from page 248			



LED-2-LINK ACCESSORIES

LED-2-Link Showcase Profile

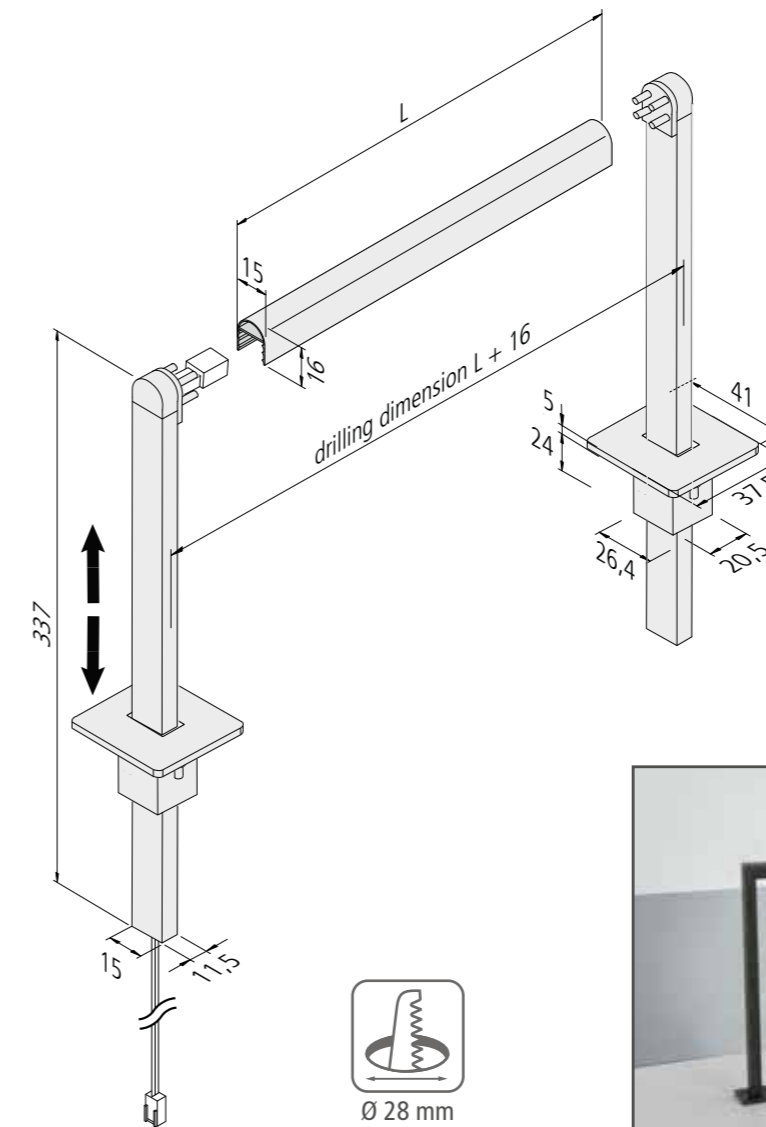


Illustration	Article No.	Description	Features	Weight approx.
	615 000 327 03	LED-2-Link Showcase Profile 1m	• black • cover profile for the area between the luminaires see page 205	166 g
	615 000 327 63	LED-2-Link Showcase Profile 2,95m set of 5		2450 g
	615 000 327 01	LED-2-Link Showcase Profile 1m	• anodized aluminium • cover profile for the area between the luminaires see page 205	166 g
	615 000 327 61	LED-2-Link Showcase Profile 2,95m set of 5		2450 g
	615 000 329 13	LED-2-Link holding arm 300mm with supply cable 2,5m max. 60W	• black • height infinitely variable up to 300mm	70 g
	615 000 329 03	LED-2-Link holding arm 300mm without supply cable		47 g
	615 000 329 11	LED-2-Link holding arm 300mm with supply cable 2,5m max. 60W	• anodized aluminium • height infinitely variable up to 300mm	70 g
	615 000 329 01	LED-2-Link holding arm 300mm without supply cable		47 g
Accessories	LED transformers 24V from page 248 / DALI and WiFi controller page 256			

LED-2-LINK ACCESSORIES

LED-2-Link Mounting and Corner Profile

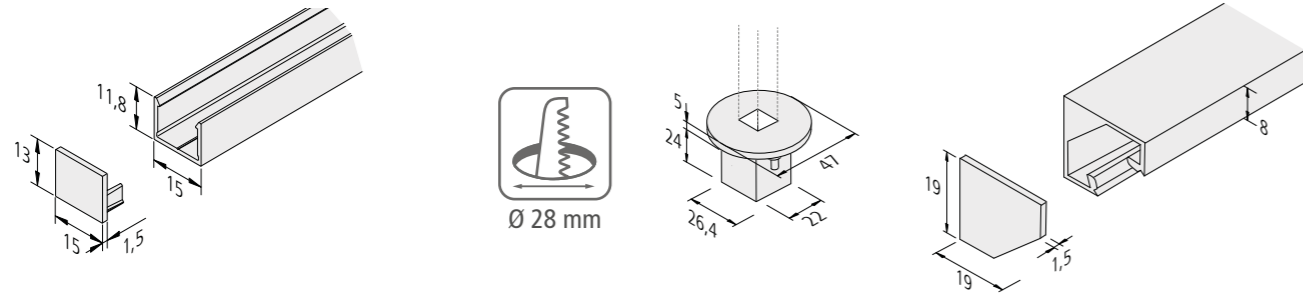
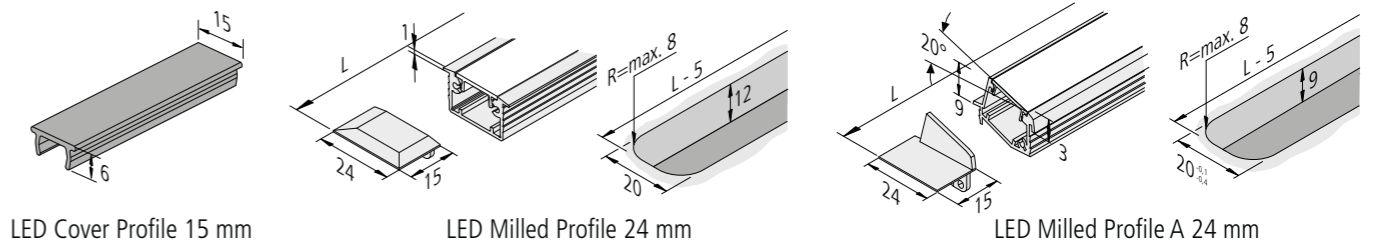
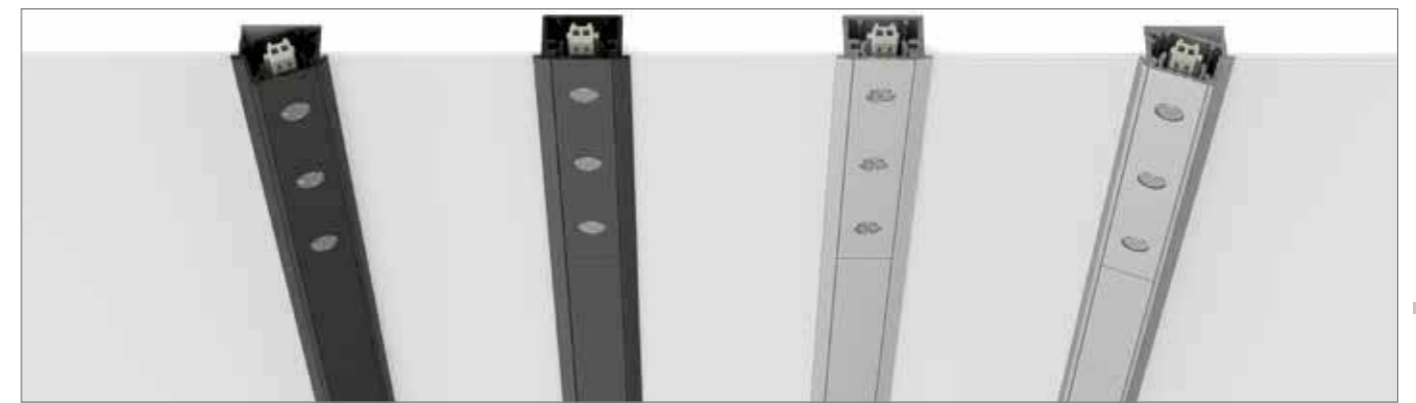


Illustration	Article No.	Mounting Profile	Features	Weight approx.
	615 000 316 13	LED Mounting Profile 15/13mm 1m	• black • for cover profile 15mm	190 g
	615 000 316 63	LED Mounting Profile 15/13mm 2,95m set of 5		2850 g
	615 000 310 23	Front cover LED Mounting Profile 15/13mm	• set of 2 with fastening screws	1 g
	615 000 300 03	Mounting Sleeve LED Mounting Profile black	• 24mm mounting depth for 28mm drill-hole • with fastening screws	13 g
	615 000 316 10	LED Mounting Profile 15/13mm 1m	• anodized aluminium • for cover profile 15mm	190 g
	615 000 316 61	LED Mounting Profile 15/13mm 2,95m set of 5		2850 g
	615 000 310 21	Front cover LED Mounting Profile 15/13mm	• set of 2 with fastening screws	3 g
	615 000 300 07	Mounting Sleeve LED Mounting Profile anodized aluminium	• 24mm mounting depth for 28mm drill-hole • with fastening screws	13 g
Corner Profile				
	615 000 320 03	LED Corner Profile 19mm 1m	• black • for cover profile 15mm	240 g
	615 000 320 63	LED Corner Profile 19mm 2,95m set of 5		3600 g
	615 000 310 33	Front cover LED Corner Profile 19mm	• set of 2 with fastening screws	3 g
	615 000 320 01	LED Corner Profile 19mm 1m	• anodized aluminium • for cover profile 15mm	240 g
	615 000 320 61	LED Corner Profile 19mm 2,95m set of 5		3600 g
	615 000 310 31	Front cover LED Corner Profile 19mm	• set of 2 with fastening screws	3 g
Accessories	LED transformers 24V from page 248 / DALI and WiFi controller page 256			

¹⁾ version on request

LED-2-LINK ACCESSORIES

LED-2-Link Milled and Cover Profiles



LED Cover Profile 15 mm

LED Milled Profile 24 mm

LED Milled Profile A 24 mm

Illustration	Article No.	Milled Profile	Features	Weight approx.
	615 000 314 13	LED Milled Profile 24/12mm 1m	• black • for cover profile 15mm	190 g
	615 000 314 63	LED Milled Profile 24/12mm 2,95m set of 5		2850 g
	615 000 310 13	Front cover LED Milled Profile 24mm	• set of 2 with fastening screws	1 g
	615 000 314 10	LED Milled Profile 24/12mm 1m	• anodized aluminium • for cover profile 15mm	190 g
	615 000 314 61	LED Milled Profile 24/12mm 2,95m set of 5		2850 g
	615 000 310 11	Front cover LED Milled Profile 24mm	• set of 2 with fastening screws	1 g
	615 000 324 13	LED Milled Profile A 24mm 1m	• black • for cover profile 15mm • for reverse asymmetrical illumination	190 g
	615 000 324 63	LED Milled Profile A 24mm 2,95m set of 5		2850 g
	615 000 310 53	Front cover LED Milled Profile A 24mm	• set of 2 with fastening screws	1 g
	615 000 324 10	LED Milled Profile A 24mm 1m	• anodized aluminium • for cover profile 15mm • for reverse asymmetrical illumination	190 g
	615 000 324 61	LED Milled Profile A 24mm 2,95m set of 5		2850 g
	615 000 310 51	Front cover LED Milled Profile A 24mm	• set of 2 with fastening screws	1 g
Cover Profile				
	615 000 328 13	LED Cover Profile 15mm 1m	• black • material: aluminium	73 g
	615 000 328 63	LED Cover Profile 15mm 2,95m set of 5		1077 g
	615 000 328 10	LED Cover Profile 15mm 1m	• anodized aluminium • material: aluminium	73 g
	615 000 328 61	LED Cover Profile 15mm 2,95m set of 5		1077 g
	215 300 601 02	LED 24 connecting cable 0,1m	• up to max. 60W usable • further information + lengths on page 250	3 g
	215 300 605 01	LED 24 connecting cable 0,5m		5 g
	215 300 610 01	LED 24 connecting cable 1,0m		9 g
	215 300 625 01	LED 24 connecting cable 2,5m		22 g
Accessories	LED transformers 24V from page 248 / DALI and WiFi controller page 256			

¹⁾ version on request



ZOOM

Focusable LED spotlight

Introduction



Connection: LED transformer DC 350 mA
Life: L90/B10 ≥ 35.000 hours
Energy efficiency: LED: 112 lm/W luminaire: 50 lm (50 lm/W)
Colour rendering: Ra/CRI > 90

LED Zoom 1W		
0,5m	9°-50° Ø 100-410	6300-432 lx
1,0m	Ø 200-820	1575-108 lx
1,5m	Ø 300-1230	700-48 lx
2,0m	Ø 400-1640	394-27 lx
2,5m	Ø 500-2050	252-17 lx

Special features:

- height infinitely variable up to 300 mm
- 355° rotating and swiveling by 90°
- adjustable beam angle 9 to 50°

Power supply track system

Linear luminaires

Recessed and surface mounted luminaires

Showcase and over cabinet luminaires

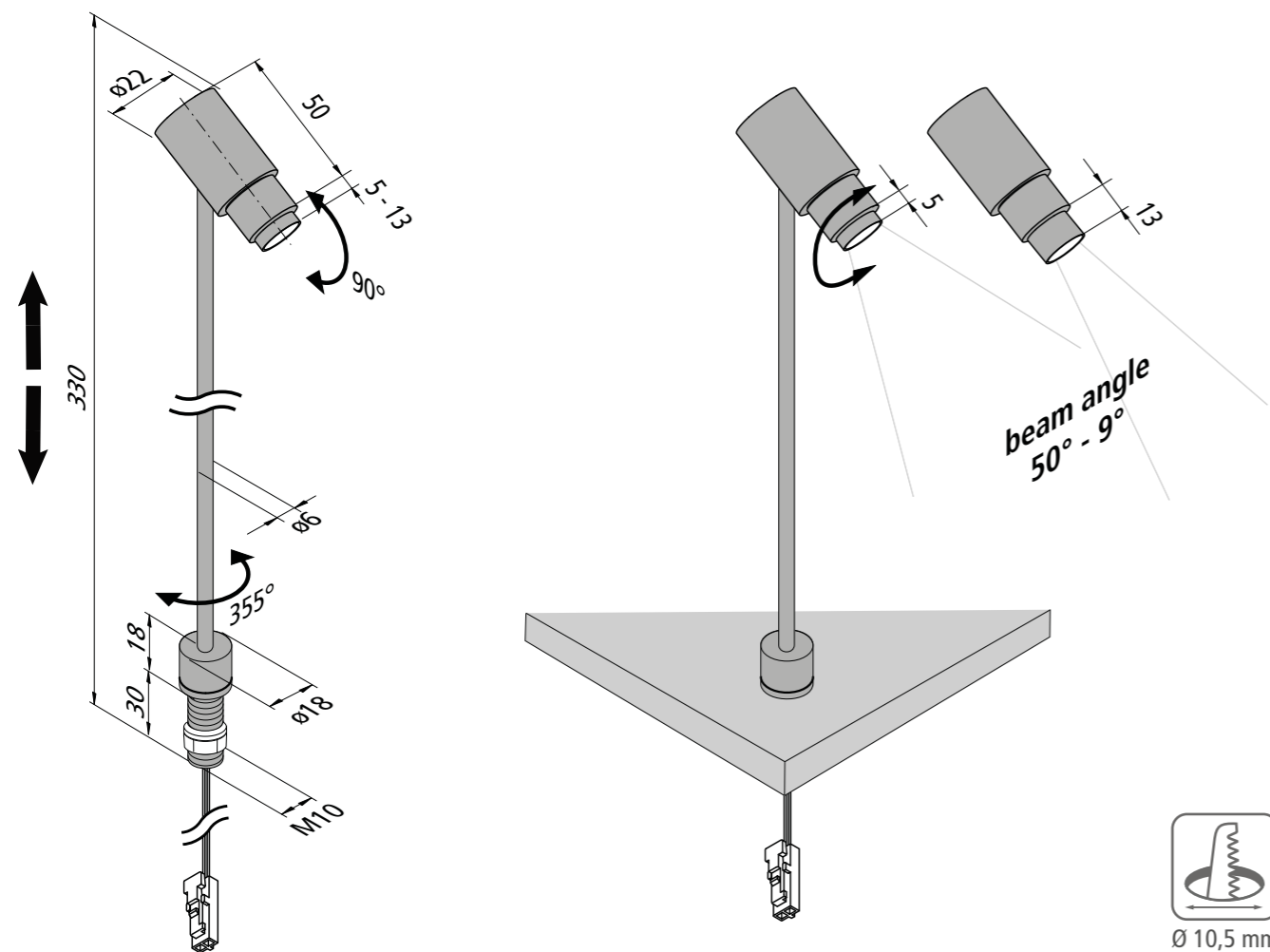


Illustration	Article No.	Description	Features	Weight approx.
	202 029 903 02	LED Zoom 1,0W ww black	<ul style="list-style-type: none"> • colour appearance ww (warm white) approx. 3000K or nw (neutral white) approx. 4000K • supply cable 2,5m with LED 350 plug • beam angle 9 to 50° 	88 g
	202 029 903 03	LED Zoom 1,0W nw black		88 g
	202 029 901 02	LED Zoom 1,0W ww anodized aluminium	<ul style="list-style-type: none"> • colour appearance ww (warm white) approx. 3000K or nw (neutral white) approx. 4000K • supply cable 2,5m with LED 350 plug • beam angle 9 to 50° 	88 g
	202 029 901 03	LED Zoom 1,0W nw anodized aluminium		88 g
	615 003 022 03	Transformer LED 350/5W with 5-way distributor	<ul style="list-style-type: none"> • mains cable 2m with Euro plug • for up to 5 luminaires / 350mA = 1,0W • larger transformers 350mA page 260 	57 g

Under cabinet luminaires

Accessories

Appendix



LED TRACK 24V

LED Track 24 V

Introduction



Connection: LED transformer DC 24 V
Life: L70/B10 ≥ 50.000 hours
Energy efficiency: LED: 88 lm/W; luminaire: **80 lm** (53 lm/W)
Colour rendering: Ra/CRI > 90

Special features:

- output: max. 60 W per feeder element
- not dimmable
- adapter for the power supply of other luminaires page 29



Power supply track system

Linear luminaires

Recessed and surface mounted luminaires

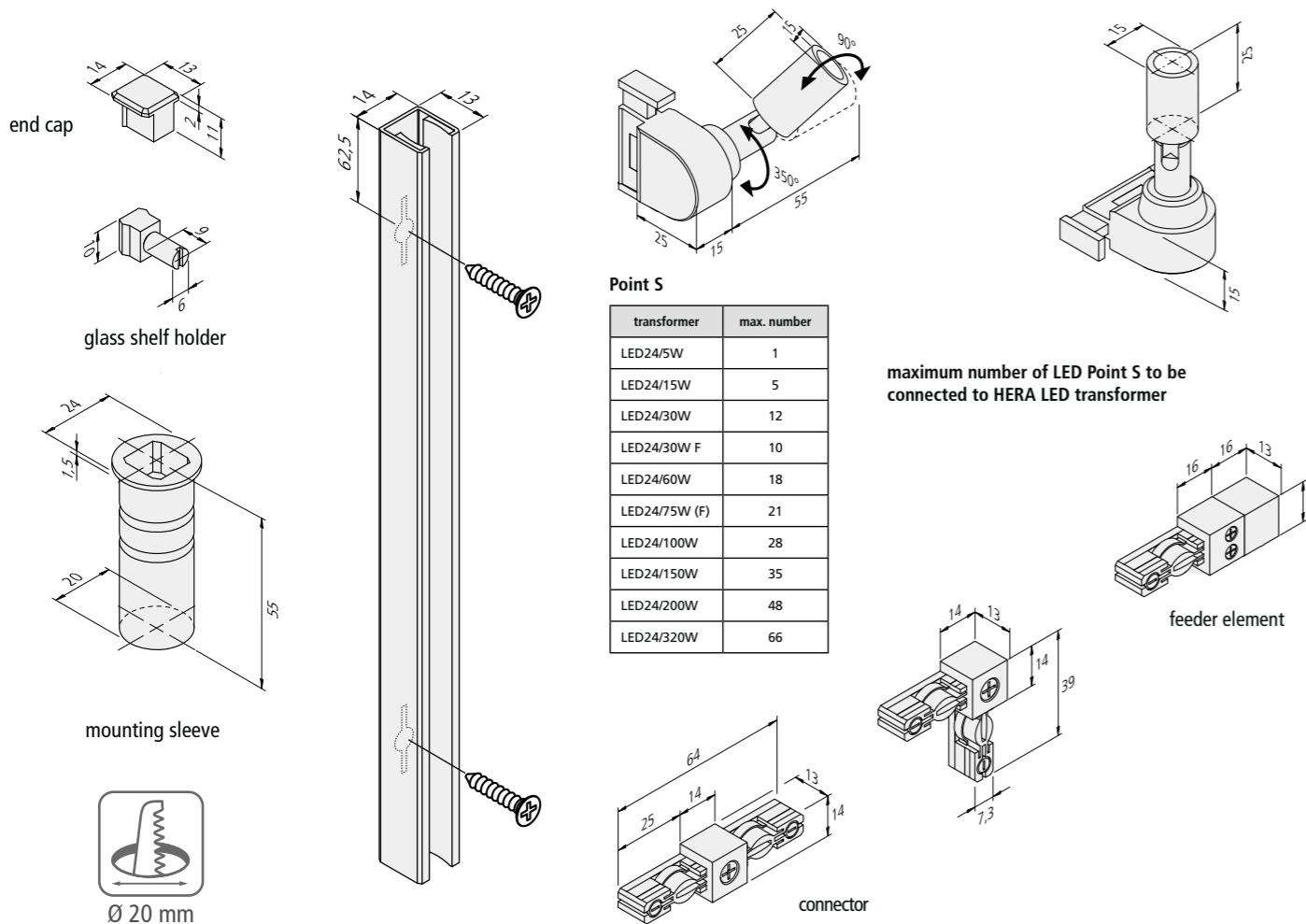


Illustration	Article No.	Description	Features	Weight approx.
	202 025 603 02	LED Track Point S 1,5W ww black	<ul style="list-style-type: none"> • colour appearance ww (warm white) approx. 3000K or nw (neutral white) approx. 4000K or cw (cool white) approx. 5000K • beam angle 10° (30° lens enclosed) 	45 g
	202 025 607 02	LED Track Point S 1,5W ww anodized aluminium		45 g
	202 025 603 03	LED Track Point S 1,5W nw black		45 g
	202 025 607 03	LED Track Point S 1,5W nw anodized aluminium		45 g
	202 025 603 01	LED Track Point S 1,5W cw black		45 g
	202 025 607 01	LED Track Point S 1,5W cw anodized aluminium		45 g
	218 000 101 03	LED Track 300mm black	<ul style="list-style-type: none"> • can be cut to length • incl. fastening screws 	70 g
	218 000 101 07	LED Track 300mm anodized aluminium		70 g
	218 000 102 03	LED Track 600mm black		140 g
	218 000 102 07	LED Track 600mm anodized aluminium		140 g
	218 000 103 03	LED Track 1000mm black		230 g
	218 000 103 07	LED Track 1000mm anodized aluminium		230 g
	218 000 201 03	LED Track Feeder Element black	<ul style="list-style-type: none"> • supply cable 2,5m with LED 24 plug • max. 60W 	30 g
	218 000 201 07	LED Track Feeder Element anodized aluminium		30 g
	218 000 301 03	LED Track Connector black	<ul style="list-style-type: none"> • for connecting two rails at 180° 	10 g
	218 000 301 07	LED Track Connector anodized aluminium		10 g
	218 000 401 03	LED Track Corner Connector black	<ul style="list-style-type: none"> • for connecting two rails at 90° 	10 g
	218 000 401 07	LED Track Corner Connector anodized aluminium		10 g
	218 000 501 03	LED Track End Cap black		2 g
	218 000 501 07	LED Track End Cap anodized aluminium		2 g
	218 000 701 13	LED Track Mounting Sleeve black	<ul style="list-style-type: none"> • 55mm mounting depth for 20mm drill hole 	11 g
	218 000 701 17	LED Track Mounting Sleeve anodized aluminium		11 g
	218 000 601 00	LED Track Glass Shelf Holder	<ul style="list-style-type: none"> • for glass shelves 	2 g
	Accessories	LED transformers 24V from page 248		

Showcase and over cabinet luminaires

Under cabinet luminaires

Accessories

Appendix



TRACK SPOT

Dimmable spot for LED Track

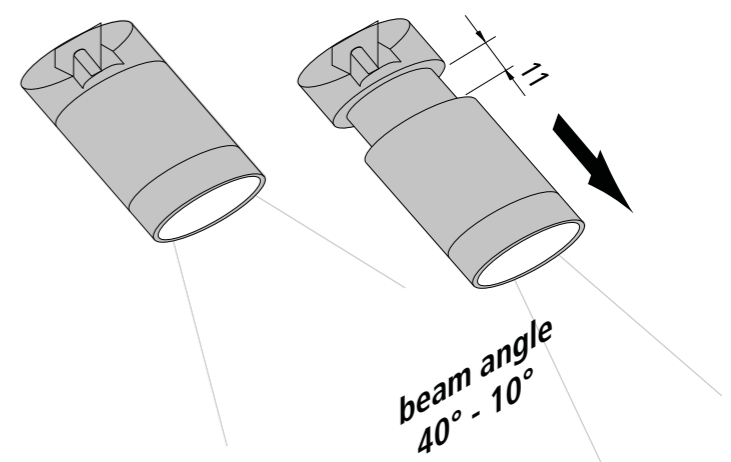
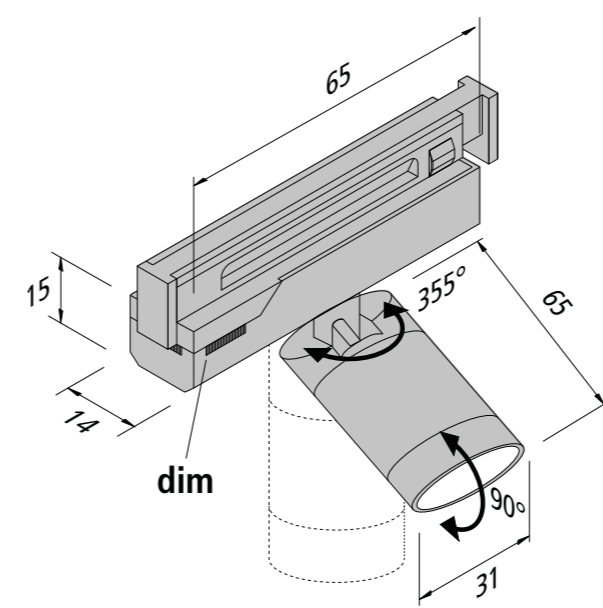


Connection: LED transformer DC 24 V
Life: L70/B10 ≥ 60.000 Stunden
Energy efficiency: LED 120 lm/W; luminaire: 308 lm (40 lm/W)
Colour rendering: Ra/CRI > 90

LED Track Spot		
	ww	nw
0,5m	19760-2960 lx	21248-3184 lx
1,0m	4940-740 lx	5312-796 lx
1,5m	2196-329 lx	2361-354 lx
2,0m	1235-185 lx	1328-199 lx
2,5m	790-118 lx	850-127 lx

Special features:

- beam angle adjustable from 10° to 40°
- dimmable spot



transformer	max. number
LED24/15W	2
LED24/30W	4
LED24/30W F	4
LED24/60W	7
LED24/75W	7
LED24/75W F	9
LED24/100W	12
LED24/150W	19



Illustration	Article No.	Description	Features	Weight approx.
	202 028 130 02	LED Track Spot 7,7W ww black	<ul style="list-style-type: none"> • colour appearance ww (warm white) approx. 3000K or nw (neutral white) approx. 4000K • beam angle adjustable from 10° to 40° • dimmable 	108 g
	202 028 130 03	LED Track Spot 7,7W ww anodized aluminium		108 g
	202 028 170 02	LED Track Spot 7,7W nw black		108 g
	202 028 170 03	LED Track Spot 7,7W nw anodized aluminium		108 g
	Accessories	LED Track + feeder element from page 209		



POINT S

Rotate and swivel LED spotlight

Introduction

Power supply track system

Linear luminaires

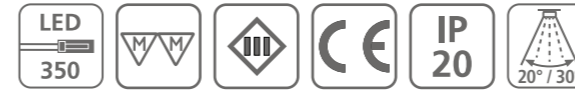
Recessed and surface mounted luminaires

Showcase and over cabinet luminaires

Under cabinet luminaires

Accessories

Appendix



Connection: LED transformer DC 350 mA
Life: L70/B10 ≥ 60.000 hours
Energy efficiency: LED: 129 lm/W; luminaire: **115 lm** (115 lm/W)
Colour rendering: Ra/CRI > 90

Special features:

- quality crafted all-metal body
- easily assembly with M8x1 thread

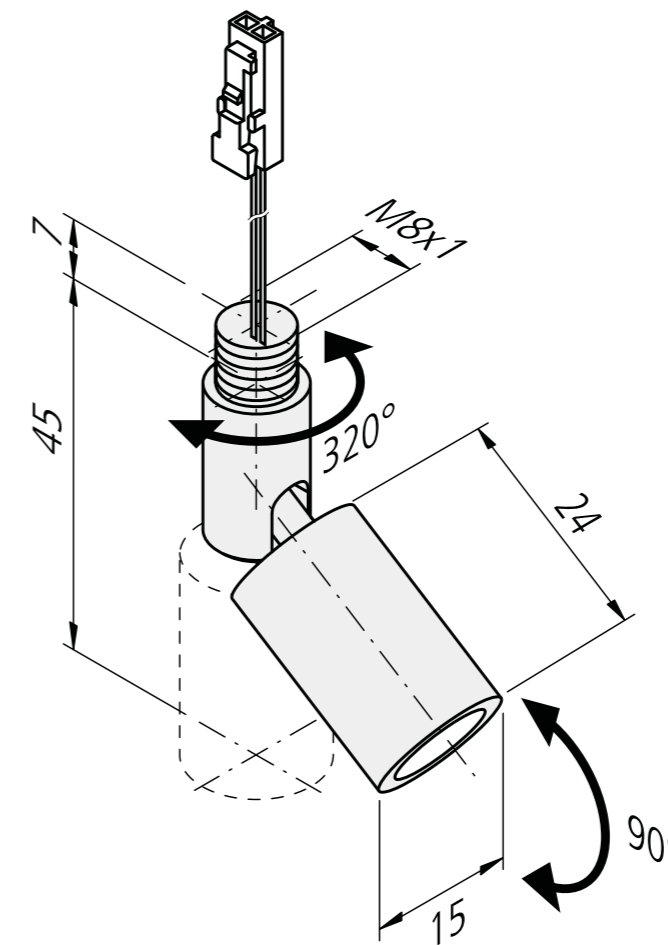


Illustration	Article No.	Description	Features	Weight approx.
	610 017 202 02	LED Point S 1W ww 20° black	<ul style="list-style-type: none"> • colour appearance ww (warm white) approx. 3000K, nw (neutral white) approx. 4000K or cw (cool white) approx. 5000K • supply cable 1,8m with LED 350 plug • beam angle 20° (30° lens enclosed) 	55 g
	610 017 201 02	LED Point S 1W ww 20° anodized aluminium		55 g
	610 017 202 03	LED Point S 1W nw 20° black		55 g
	610 017 201 03	LED Point S 1W nw 20° anodized aluminium		55 g
	215 250 610 01	LED 350 connecting cable 1m		12 g
	215 250 620 01	LED 350 connecting cable 2m		20 g
	Accessories	LED transformers 350mA from page 260		



GLASS CLIP

Clipable glass shelf luminaire up + down



Connection: LED transformer DC 24 V
Life: L90/B10 ≥ 30.000 hours
Energy efficiency: LED: 110 lm/W; luminaire: **90 lm** (75 lm/W)
Colour rendering: Ra/CRI > 80

Glass Clip			
		ww	nw
0,5m	Ø 600	140 lx	152 lx
1,0m	Ø 1200	35 lx	38 lx
1,5m	Ø 1800	16 lx	17 lx
2,0m	Ø 2400	9 lx	10 lx
2,5m	Ø 3000	6 lx	6 lx

Special features:

- for glass shelves 6 to 8 mm

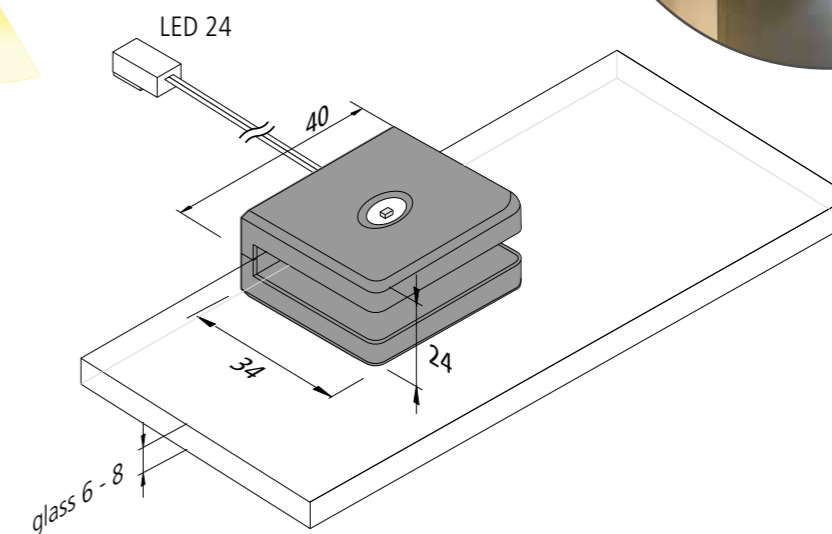
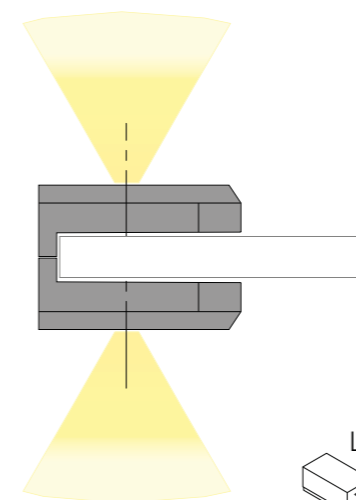


Illustration	Article No.	Description	Features	Weight approx.
	202 030 030 02	LED Glass Clip 1,2W ww black	• colour appearance ww (warm white) approx. 3000K • supply cable 2,5m with LED 24 plug	42 g
	202 030 080 02	LED Glass Clip 1,2W ww stainless steel look		42 g
	202 030 030 01	LED Glass Clip 1,2W nw black	• colour appearance nw (neutral white) approx. 4000K • supply cable 2,5m with LED 24 plug	42 g
	202 030 080 01	LED Glass Clip 1,2W nw stainless steel look		42 g
	215 300 610 01	LED 24 connecting cable 1,0m	• up to max. 60W usable • further information + lengths on page 250	9 g
	215 300 625 01	LED 24 connecting cable 2,5m		22 g
	206 040 011 01	Transformer LED 24/ 15W DC 24V	• mains cable 2m with Euro plug • 12-way distributor	167 g
	206 040 012 01	Transformer LED 24/ 30W DC 24V		330 g



LUGANO

LED over cabinet luminaire with homogeneous planar light



Connection: LED transformer DC 24 V
Life: L70/B10 ≥ 60.000 hours
Energy efficiency: LED: 107 lm/W; luminaire: 495 / 660 / 990 / 1293 lm (51 lm/W)
Colour rendering: Ra/CRI > 95

Special features:

- no visible luminous spots

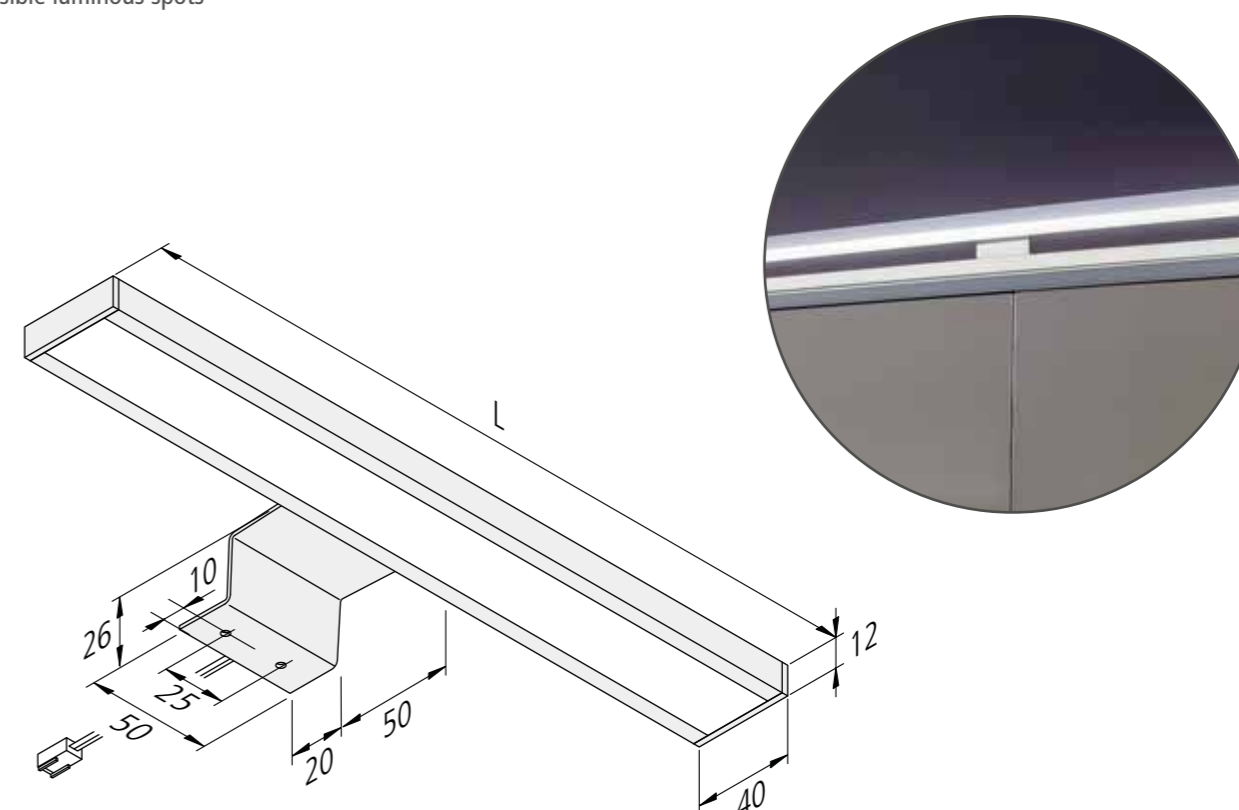


Illustration	Article No.	Description	Features	Weight approx.	
	610 016 401 02	Lugano 450mm 8,0W ww anodized aluminium	<ul style="list-style-type: none"> • colour appearance ww (warm white) approx. 3000K • supply cable 2,3m with LED 24 plug 	290 g	
	610 016 402 02	Lugano 600mm 10,9W ww anodized aluminium		370 g	
	610 016 404 02	Lugano 900mm 16,6W ww anodized aluminium		500 g	
		610 016 403 02	Lugano 1200mm 21,8W ww anodized aluminium	<ul style="list-style-type: none"> • colour appearance nw (neutral white) approx. 4000K • supply cable 2,3m with LED 24 plug 	630 g
		610 016 401 03	Lugano 450mm 8,0W nw anodized aluminium		290 g
		610 016 402 03	Lugano 600mm 10,9W nw anodized aluminium		370 g
		610 016 404 03	Lugano 900mm 16,6W nw anodized aluminium	500 g	
		610 016 403 03	Lugano 1200mm 21,8W nw anodized aluminium	630 g	
		215 300 610 01	LED 24 connecting cable 1,0m	<ul style="list-style-type: none"> • up to max. 60W usable • further information + lengths on page 250 	9 g
	215 300 625 01	LED 24 connecting cable 2,5m	22 g		
	206 040 011 01	Transformer LED 24/ 15W DC 24V	<ul style="list-style-type: none"> • mains cable 2m with Euro plug • 12-way distributor 	167 g	
	206 040 012 01	Transformer LED 24/ 30W DC 24V		330 g	

UNDER CABINET LUMINAIRES

Under cabinet luminaires are a smart solution for conjuring up luminous accents in an ambience by means of retrofitting.



DYNAMIC MODULITE F

Flat LED under cabinet luminaire with adjustable colour appearance for 230 V

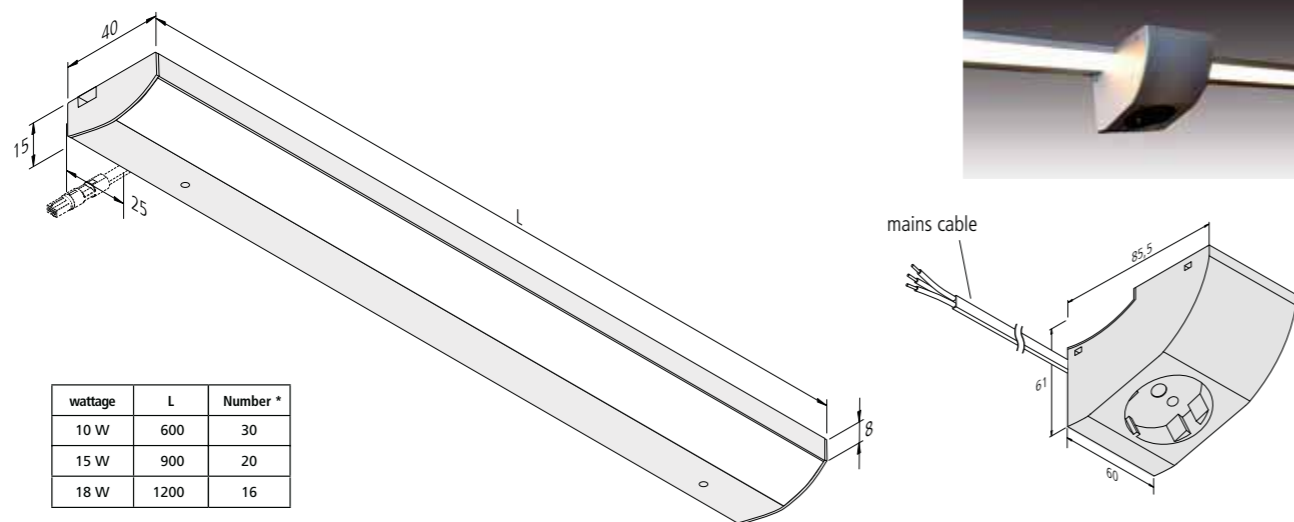


Connection: 220 - 240V / 50 - 60Hz
Life: L70/B10 ≥ 60.000 hours
Energy efficiency: LED: 122 lm/W luminaire: **1583 lm/m** (95 lm/W)
Colour rendering: Ra/CRI > 80

Dynamic LED ModuLite F			
		xw	cw
0,5m	Ø 610	2320 lx	2440 lx
1,0m	Ø 1220	580 lx	610 lx
1,5m	Ø 1830	258 lx	271 lx
2,0m	Ø 2440	145 lx	153 lx
2,5m	Ø 3050	93 lx	98 lx

Special features:

- integrated HV LCS plug and socket in casing for uninterrupted strip lights (max. 300 W)
- no visible luminous spots
- with integrated Dynamic controller
- dimmable; colour appearance adjustable between approx. 2700 K (xw) and 5000 K (cw) with different remote controls



* Maximum number of luminaires per strip light (maximum 3 strip lights, HV LCS V 6-way distributor maximum 2,5A total) on one N-circuit breaker 16A, single pole, type B.

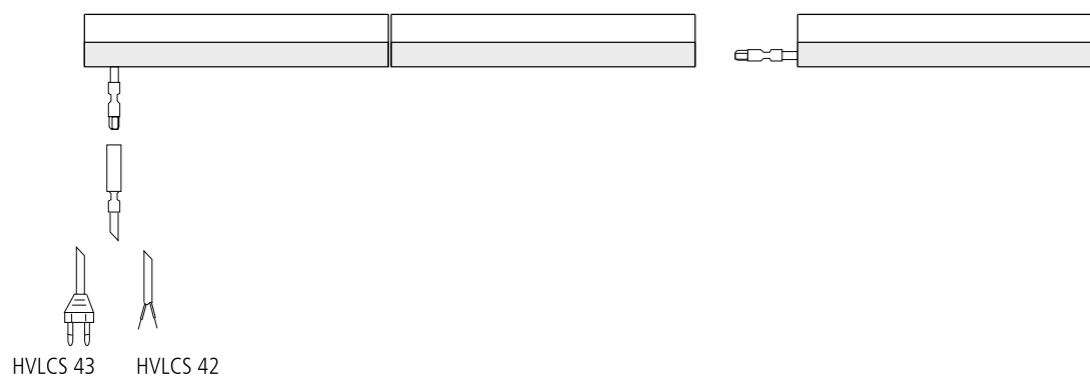
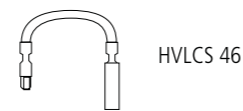


Illustration	Article No.	Description	Features	Weight approx.
	202 025 832 02	Dynamic LED ModuLite F 600mm 10W white	<ul style="list-style-type: none"> • colour appearance adjustable between approx. 2700K and 5000K • without switch // white • HV LCS plug and HV LCS socket integrated • please order mains cable and remote controls separately 	270 g
	202 025 833 02	Dynamic LED ModuLite F 900mm 15W white		390 g
	202 025 834 02	Dynamic LED ModuLite F 1200mm 18W white		520 g
	202 025 832 03	Dynamic LED ModuLite F 600mm 10W black	<ul style="list-style-type: none"> • colour appearance adjustable between approx. 2700K and 5000K • without switch // black • HV LCS plug and HV LCS socket integrated • please order mains cable and remote controls separately 	270 g
	202 025 833 03	Dynamic LED ModuLite F 900mm 15W black		390 g
	202 025 834 03	Dynamic LED ModuLite F 1200mm 18W black		520 g
	202 025 832 01	Dynamic LED ModuLite F 600mm 10W anodized aluminium	<ul style="list-style-type: none"> • colour appearance adjustable between approx. 2700K and 5000K • without switch // anodized aluminium • HV LCS plug and HV LCS socket integrated • please order mains cable and remote controls separately 	270 g
	202 025 833 01	Dynamic LED ModuLite F 900mm 15W anodized aluminium		390 g
	202 025 834 01	Dynamic LED ModuLite F 1200mm 18W anodized aluminium		520 g
	615 000 524 07 ¹⁾	Socket ModuLite anodized aluminium	<ul style="list-style-type: none"> • mains cable 1,8m with ferrules and mountable plug • can be mounted at any position above the ModuLite 	310 g
	615 000 506 31	4-channel remote control black	<ul style="list-style-type: none"> • to operate the controller in the luminaire • up to 7 different transmitter can be used with one controller • each remote control can be trained in parallel to any number of controllers • operation with the flush-mounted touch remote control is not recommended (range only 2m) 	65 g
	615 000 506 41	Surface mounted remote control Dynamic stainless steel look		40 g
	615 000 506 51	Recessed remote control Dynamic stainless steel look		15 g
	215 440 220 02	HV LCS 42/2000 mains cable with AE 2m	<ul style="list-style-type: none"> • with ferrules • with Euro plug • for corner mounting or when installing the luminaires at a distance 	70 g
	215 440 320 01	HV LCS 43/2000 mains cable with Euro 2m		90 g
	215 440 605 01	HV LCS 46/ 500 connecting cable 0,5m		30 g
	215 440 610 01	HV LCS 46/1000 connecting cable 1m		45 g
	215 440 615 01	HV LCS 46/1500 connecting cable 1,5m		60 g
215 440 620 01	HV LCS 46/2000 connecting cable 2m	75 g		

¹⁾ Available from May 2021



MODULITE F

Flat LED under cabinet luminaire for 230 V



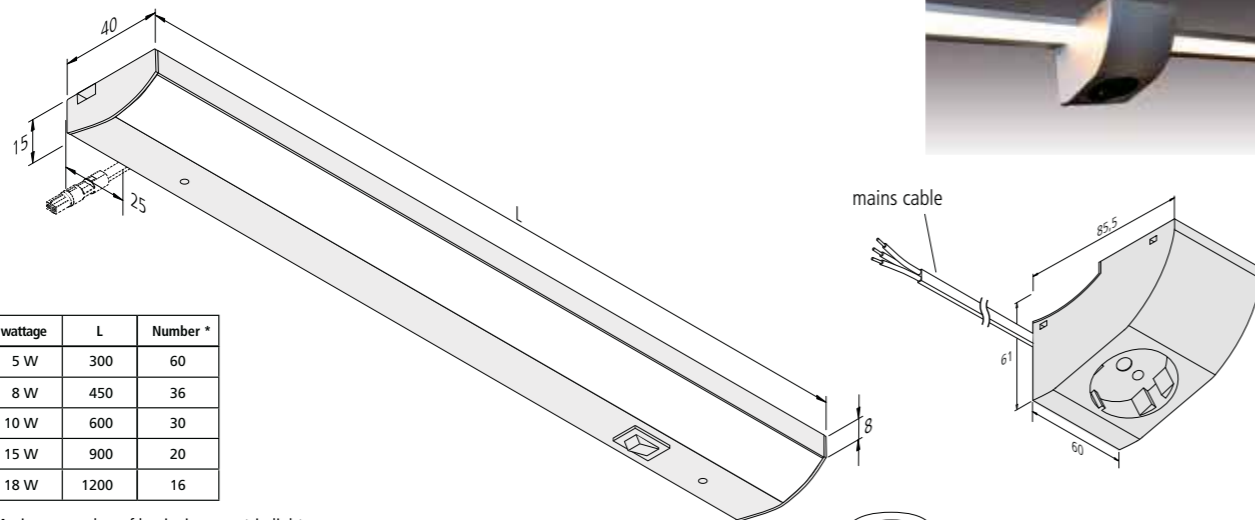
Connection: 220 - 240V / 50 - 60Hz
Life: L70/B10 ≥ 60.000 hours
Energy efficiency: LED: 122 lm/W luminaire: **1583 lm/m** (95 lm/W)
Colour rendering: Ra/CRI > 90

LED ModuLite F			
		ww	nw
0,5m	Ø 610	2360 lx	2400 lx
1,0m	Ø 1220	590 lx	600 lx
1,5m	Ø 1830	262 lx	267 lx
2,0m	Ø 2440	148 lx	150 lx
2,5m	Ø 3050	94 lx	96 lx

Special features:

- integrated HVLCS plug and socket in casing for uninterrupted strip lights (max. 300 W)
- with integrated switch
- not dimmable

Illustration	Article No.	Description	Features	Weight approx.
	202 025 801 12	LED ModuLite F 450mm 8W ww	<ul style="list-style-type: none"> • colour appearance ww (warm white) approx. 3000K • incl. switch // white • HVLCS plug and HVLCS socket integrated • please order mains cable separately 	195 g
	202 025 802 12	LED ModuLite F 600mm 10W ww		260 g
	202 025 803 12	LED ModuLite F 900mm 15W ww		390 g
	202 025 804 12	LED ModuLite F 1200mm 18W ww		520 g
	202 025 801 13	LED ModuLite F 450mm 8W nw	<ul style="list-style-type: none"> • colour appearance nw (neutral white) approx. 4000K • incl. switch // white • HVLCS plug and HVLCS socket integrated • please order mains cable separately 	195 g
	202 025 802 13	LED ModuLite F 600mm 10W nw		260 g
	202 025 803 13	LED ModuLite F 900mm 15W nw		390 g
	202 025 804 13	LED ModuLite F 1200mm 18W nw		520 g
	202 025 801 32	LED ModuLite F 450mm 8W ww	<ul style="list-style-type: none"> • colour appearance ww (warm white) approx. 3000K • incl. switch // black • HVLCS plug and HVLCS socket integrated • please order mains cable separately 	195 g
	202 025 802 32	LED ModuLite F 600mm 10W ww		260 g
	202 025 803 32	LED ModuLite F 900mm 15W ww		390 g
	202 025 804 32	LED ModuLite F 1200mm 18W ww		520 g
	202 025 801 33	LED ModuLite F 450mm 8W nw	<ul style="list-style-type: none"> • colour appearance nw (neutral white) approx. 4000K • incl. switch // black • HVLCS plug and HVLCS socket integrated • please order mains cable separately 	195 g
	202 025 802 33	LED ModuLite F 600mm 10W nw		260 g
	202 025 803 33	LED ModuLite F 900mm 15W nw		390 g
	202 025 804 33	LED ModuLite F 1200mm 18W nw		520 g
	202 025 800 02	LED ModuLite F 300mm 5W ww	<ul style="list-style-type: none"> • colour appearance ww (warm white) approx. 3000K • incl. switch // anodized aluminium • HVLCS plug and HVLCS socket integrated • please order mains cable separately 	140 g
	202 025 801 02	LED ModuLite F 450mm 8W ww		195 g
	202 025 802 02	LED ModuLite F 600mm 10W ww		260 g
	202 025 803 02	LED ModuLite F 900mm 15W ww		390 g
	202 025 804 02	LED ModuLite F 1200mm 18W ww	520 g	
	202 025 800 03	LED ModuLite F 300mm 5W nw	<ul style="list-style-type: none"> • colour appearance nw (neutral white) approx. 4000K • incl. switch // anodized aluminium • HVLCS plug and HVLCS socket integrated • please order mains cable separately • version 6500K on request 	140 g
	202 025 801 03	LED ModuLite F 450mm 8W nw		195 g
	202 025 802 03	LED ModuLite F 600mm 10W nw		260 g
	202 025 803 03	LED ModuLite F 900mm 15W nw		390 g
	202 025 804 03	LED ModuLite F 1200mm 18W nw	520 g	
	615 000 524 07 ¹⁾	Socket ModuLite anodized aluminium	NEW	310 g
	215 440 220 02	HVLCS 42/2000 mains cable with AE 2m	• with ferrules	70 g
	215 440 320 01	HVLCS 43/2000 mains cable with Euro 2m	• with Euro plug	90 g
	215 440 605 01	HVLCS 46/ 500 connecting cable 0,5m	<ul style="list-style-type: none"> • for corner mounting or when installing the luminaires at a distance 	30 g
	215 440 610 01	HVLCS 46/1000 connecting cable 1m		45 g
	215 440 615 01	HVLCS 46/1500 connecting cable 1,5m		60 g
	215 440 620 01	HVLCS 46/2000 connecting cable 2m		75 g



wattage	L	Number *
5 W	300	60
8 W	450	36
10 W	600	30
15 W	900	20
18 W	1200	16

* Maximum number of luminaires per strip light (maximum 3 strip lights, HVLCS V 6-way distributed maximum 2,5A total) on one N-circuit breaker 16A, single pole, type B.

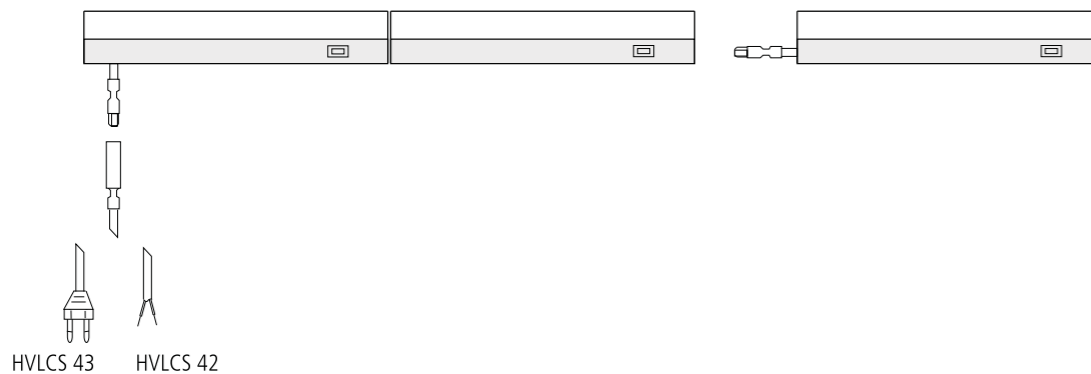




Photo: Beckermann Küchen



TOP-STICK FMK

Flat LED under cabinet luminaire with homogeneous planar light

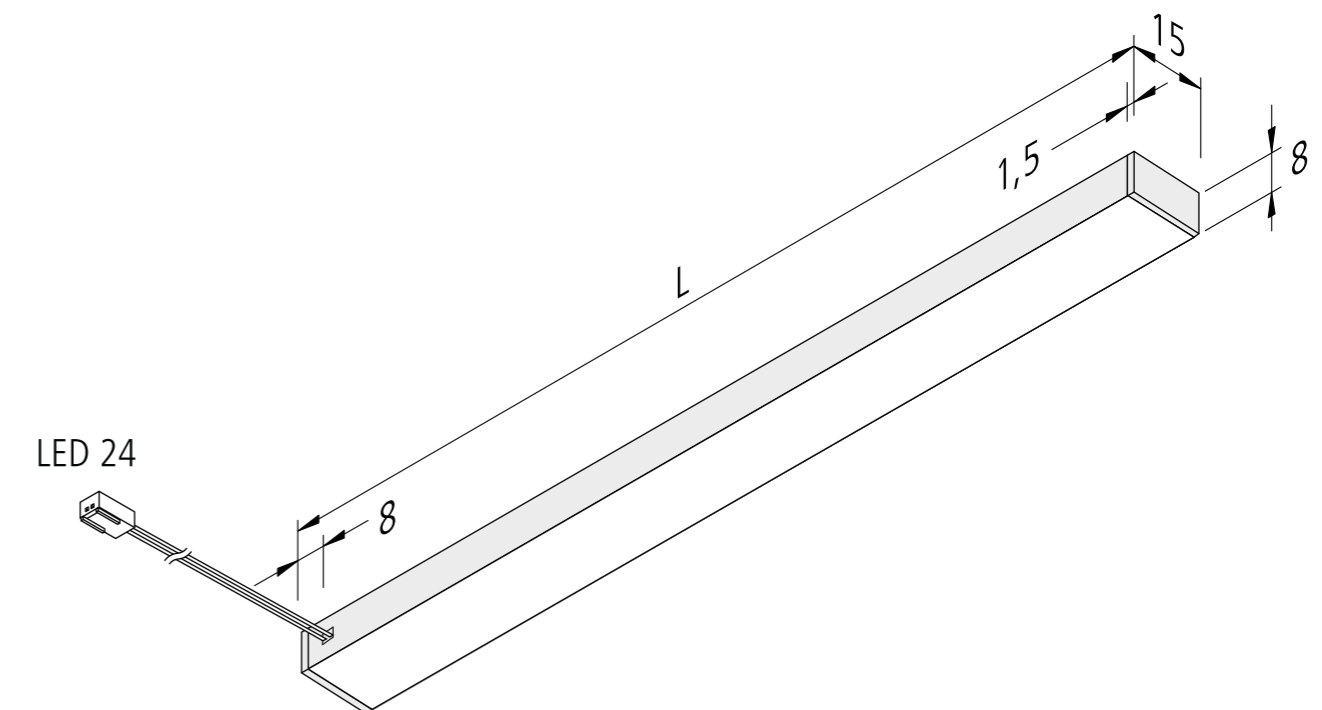


Connection: LED transformer DC 24 V
Life: L70/B10 ≥ 60.000 hours
Energy efficiency: LED 107 lm/W; luminaire: 1135 lm/m (63 lm/W)
Colour rendering: Ra/CRI > 95

LED Top-Stick FMK			
		ww	nw
0,5m	Ø 610	2064 lx	2160 lx
1,0m	Ø 1220	516 lx	540 lx
1,5m	Ø 1830	229 lx	240 lx
2,0m	Ø 2440	129 lx	135 lx
2,5m	Ø 3050	83 lx	86 lx

Special features:

- construction height of only 8 mm
- no visible luminous spots



Configurator p. 87

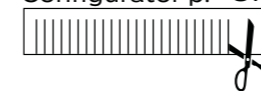


Illustration	Article No.	Description	Features	Weight approx.	
	610 014 271 02	LED Top-Stick FMK 450mm 8,0W ww	<ul style="list-style-type: none"> • colour appearance ww (warm white) approx. 3000K • supply cable 2,5m with LED 24 plug (rear cable outlet) • anodized aluminium 	80 g	
	610 014 272 02	LED Top-Stick FMK 600mm 10,9W ww		95 g	
	610 014 273 02	LED Top-Stick FMK 900mm 16,6W ww		130 g	
	610 014 274 02	LED Top-Stick FMK 1200mm 21,8W ww		165 g	
	610 014 271 03	LED Top-Stick FMK 450mm 8,0W nw	<ul style="list-style-type: none"> • colour appearance nw (neutral white) approx. 4000K • supply cable 2,5m with LED 24 plug (rear cable outlet) • anodized aluminium 	80 g	
	610 014 272 03	LED Top-Stick FMK 600mm 10,9W nw		95 g	
	610 014 273 03	LED Top-Stick FMK 900mm 16,6W nw		130 g	
	610 014 274 03	LED Top-Stick FMK 1200mm 21,8W nw		165 g	
	Accessories	LED transformers 24V from page 248 / dim controller page 256			



Photo: Beckermann Küchen

TOP-STICK FMT

Flat LED under cabinet luminaire with homogeneous planar light

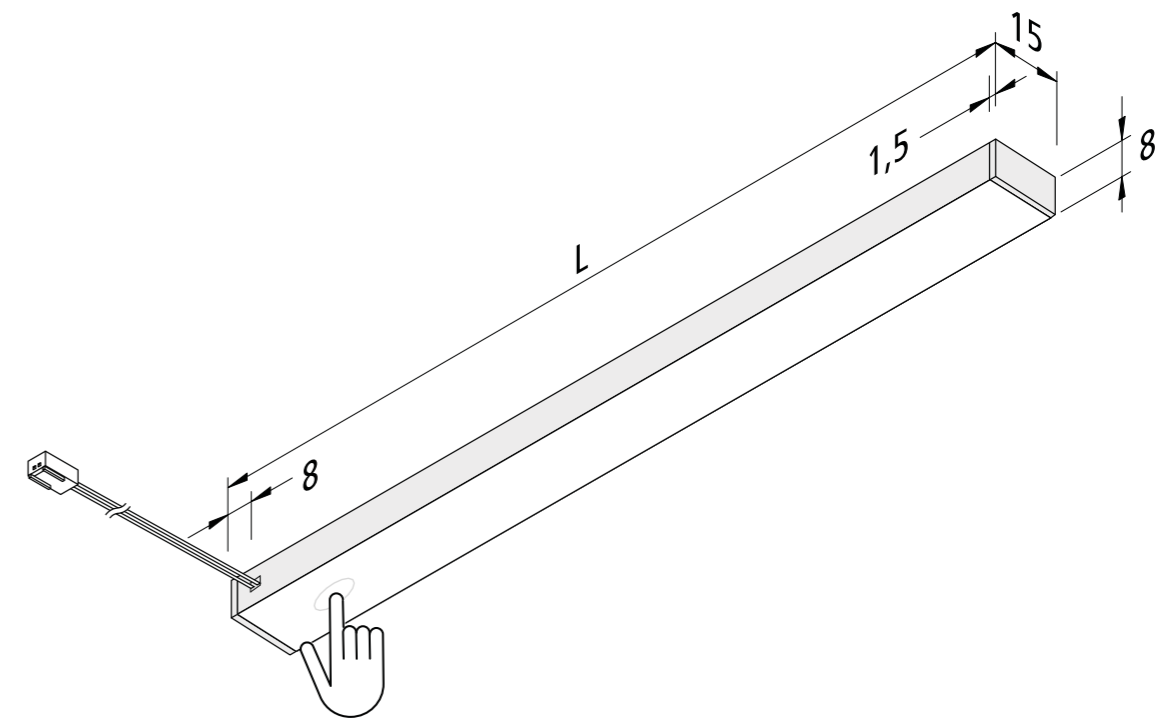


Connection: LED transformer DC 24 V
Life: L70/B10 ≥ 60.000 hours
Energy efficiency: LED 107 lm/W; luminaire: 1135 lm/m (63 lm/W)
Colour rendering: Ra/CRI > 95

LED Top-Stick FMT		ww	nw
0,5m	Ø 610	2064 lx	2160 lx
1,0m	Ø 1220	516 lx	540 lx
1,5m	Ø 1830	229 lx	240 lx
2,0m	Ø 2440	129 lx	135 lx
2,5m	Ø 3050	83 lx	86 lx

Special features:

- construction height of only 8 mm
- no visible luminous spots
- version FMT with touch dimmer (for switching and dimming) and memory function (after disconnection from the mains, the previous dimming status is restored)



Configurator p. 87



Illustration	Article No.	Description	Features	Weight approx.
	610 014 271 22	LED Top-Stick FMT 450mm 7,1W ww	<ul style="list-style-type: none"> • colour appearance ww (warm white) approx. 3000K • supply cable 2,5m with LED 24 plug (rear cable outlet) • anodized aluminium • incl. touch dimmer and orientation LED 	80 g
	610 014 272 22	LED Top-Stick FMT 600mm 10,0W ww		95 g
	610 014 273 22	LED Top-Stick FMT 900mm 15,6W ww		130 g
	610 014 274 22	LED Top-Stick FMT 1200mm 20,9W ww		165 g
	610 014 271 23	LED Top-Stick FMT 450mm 7,1W nw	<ul style="list-style-type: none"> • colour appearance nw (neutral white) approx. 4000K • supply cable 2,5m with LED 24 plug (rear cable outlet) • anodized aluminium • incl. touch dimmer and orientation LED 	80 g
	610 014 272 23	LED Top-Stick FMT 600mm 10,0W nw		95 g
	610 014 273 23	LED Top-Stick FMT 900mm 15,6W nw		130 g
	610 014 274 23	LED Top-Stick FMT 1200mm 20,9W nw		165 g
Accessories	LED transformers 24V from page 248			



ADD-ON MINI

Flat LED under cabinet luminaire with homogeneous planar light



Connection: LED transformer DC 24 V
Life: L70/B10 ≥ 60.000 hours
Energy efficiency: LED: 120 lm/W luminaire: **280 lm** (65 lm/W)
Colour rendering: Ra/CRI > 95

LED ADD-ON Mini		ww	nw
0,5m	Ø 620	453 lx	466 lx
1,0m	Ø 1240	113 lx	117 lx
1,5m	Ø 1860	50 lx	52 lx
2,0m	Ø 2480	28 lx	29 lx
2,5m	Ø 3100	18 lx	19 lx

Special features:

- construction height of only 8 mm
- no visible luminous spots
- sets can be dimmed via invisible Dim Controller Touch with memory function (after disconnection from the mains, the previous dimming status is restored)

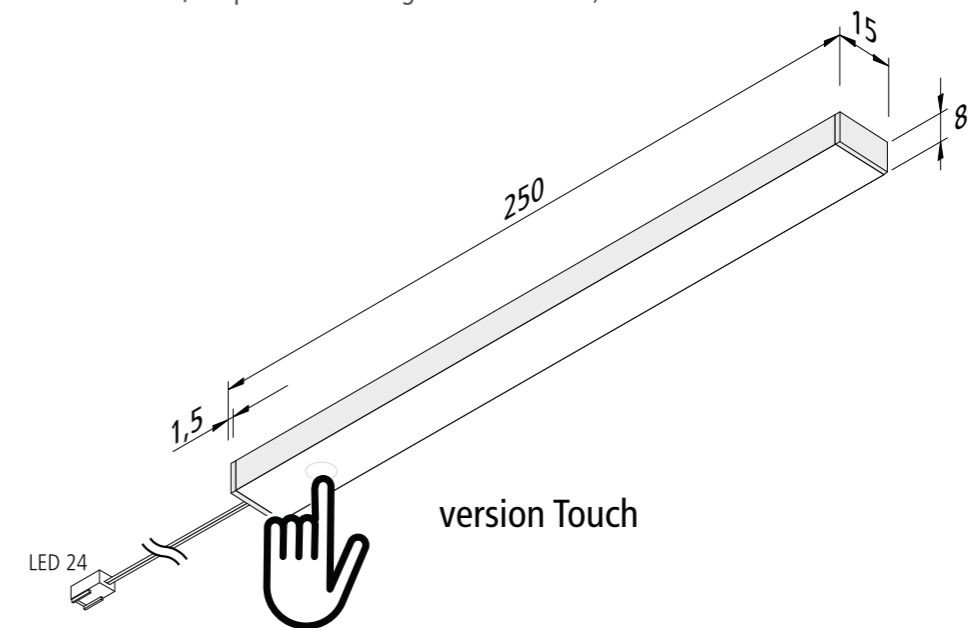


Illustration	Article No.	Description	Features	Weight approx.
	610 012 221 02	LED ADD-ON Mini 4,3W ww anodized aluminium	<ul style="list-style-type: none"> • colour appearance ww (warm white) approx. 3000K or nw (neutral white) approx. 4000K • supply cable 2,5m with LED 24 plug 	55 g
	610 012 221 03	LED ADD-ON Mini 4,3W nw anodized aluminium		55 g
	610 548 232 01	set of 3 LED ADD-ON Mini 4,3W ww anodized aluminium	<ul style="list-style-type: none"> • colour appearance ww (warm white) approx. 3000K or nw (neutral white) approx. 4000K • incl. transformer LED 24/15W 	330 g
	610 548 233 01	set of 3 LED ADD-ON Mini 4,3W nw anodized aluminium		330 g
	610 548 232 21	set of 3 LED ADD-ON Mini 4,3W ww anodized aluminium with Dim-Controller Touch	<ul style="list-style-type: none"> • colour appearance ww (warm white) approx. 3000K or nw (neutral white) approx. 4000K • incl. transformer 24/15W + Dim-Controller Touch 	400 g
	610 548 233 21	set of 3 LED ADD-ON Mini 4,3W nw anodized aluminium with Dim-Controller Touch		400 g
	215 300 610 01	LED 24 connecting cable 1,0m	<ul style="list-style-type: none"> • up to max. 60W usable • further information + lengths on page 250 	9 g
	215 300 625 01	LED 24 connecting cable 2,5m		22 g
	206 040 011 01	Transformer LED 24/ 15W DC 24V	<ul style="list-style-type: none"> • mains cable 2m with Euro plug • 12-way distributor 	167 g
	206 040 012 01	Transformer LED 24/ 30W DC 24V		330 g



Connection: LED transformer DC 24 V
Life: L70/B10 ≥ 60.000 hours
Energy efficiency: LED: 107 lm/W; luminaire: **240 lm** (63 lm/W)
Colour rendering: Ra/CRI > 95

LED Glas-Line		ww	nw
0,5m	∅ 620	348 lx	376 lx
1,0m	∅ 1240	87 lx	94 lx
1,5m	∅ 1860	39 lx	42 lx
2,0m	∅ 2480	22 lx	24 lx
2,5m	∅ 3100	14 lx	15 lx

Special features:

- easy mounting with concealed mounting clips
- frosted genuine glass cover

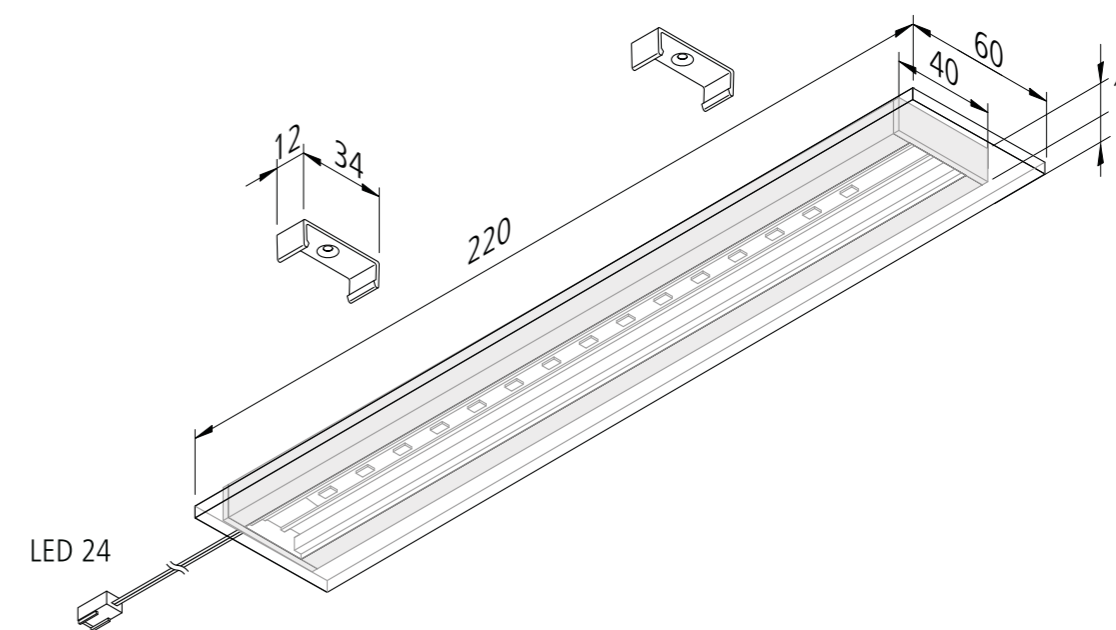
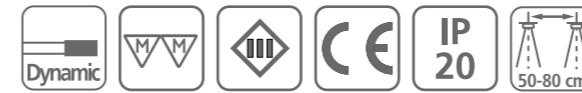


Illustration	Article No.	Description	Features	Weight approx.
	610 018 201 02	LED Glas-Line 3,8W ww anodized aluminium	<ul style="list-style-type: none"> • colour appearance ww (warm white) approx. 3000K or nw (neutral white) approx. 4000K • supply cable 2,5m with LED 24 plug 	220 g
	610 018 201 03	LED Glas-Line 3,8W nw anodized aluminium		220 g
	610 573 301 02	set of 3 LED Glas-Line 3,8W ww anodized aluminium	<ul style="list-style-type: none"> • colour appearance ww (warm white) approx. 3000K or nw (neutral white) approx. 4000K • incl. transformer 30W (up to 7 luminaires can be added) and EBS 4 	910 g
	610 573 301 03	set of 3 LED Glas-Line 3,8W nw anodized aluminium		910 g
	610 573 302 02	set of 3 LED Glas-Line 3,8W ww anodized aluminium with switch		1090 g
	610 573 302 03	set of 3 LED Glas-Line 3,8W nw anodized aluminium with switch		1090 g
	215 300 610 01	LED 24 connecting cable 1,0m	<ul style="list-style-type: none"> • up to max. 60W usable • further information + lengths on page 250 	9 g
	215 300 625 01	LED 24 connecting cable 2,5m		22 g
	206 040 011 01	Transformer LED 24/ 15W DC 24V	<ul style="list-style-type: none"> • mains cable 2m with Euro plug • 12-way distributor 	167 g
	206 040 012 01	Transformer LED 24/ 30W DC 24V		330 g



Flat LED under cabinet luminaire with large planar light and adjustable colour appearance



Connection: LED transformer DC 24 V
Life: L70/B10 ≥ 50.000 hours
Energy efficiency: LED 92 lm/W; luminaire: 255 lm (43 lm/W)
Colour rendering: Ra/CRI > 91

Dynamic LED Sky				
		ww	nw	cw
0,5m	Ø 620	420 lx	440 lx	456 lx
1,0m	Ø 1240	105 lx	110 lx	114 lx
1,5m	Ø 1860	47 lx	49 lx	51 lx
2,0m	Ø 2480	26 lx	28 lx	29 lx
2,5m	Ø 3100	17 lx	18 lx	18 lx

Special features:

- colour appearance adjustable between 2700 K (xw) and 5000 K (cw)

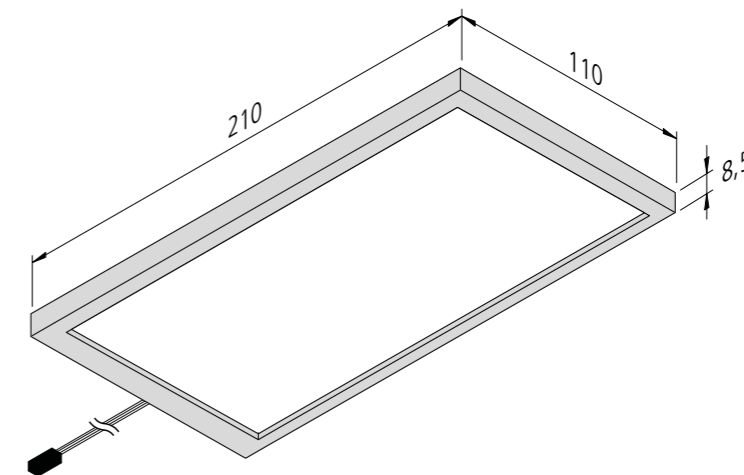
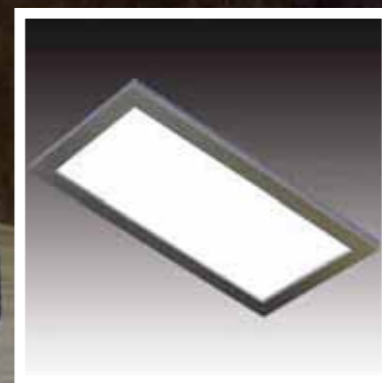


Illustration	Article No.	Description	Features	Weight approx.
	202 027 302 03	Dynamic LED Sky 6W black	<ul style="list-style-type: none"> • colour appearance adjustable between approx. 2700K and 5000K • supply cable 2,4m with Dynamic plug 	240 g
	202 027 301 08	Dynamic LED Sky 6W stainless steel		240 g
	610 532 301 03	set of 3 Dynamic LED Sky 6W black	<ul style="list-style-type: none"> • colour appearance adjustable between approx. 2700K and 5000K • incl. surface mounted remote control and transformer 30W 	1075 g
	610 532 301 08	set of 3 Dynamic LED Sky 6W stainless steel		1075 g
	615 000 505 32	24V Dynamic-Controller radio 75W incl. 4 channel remote control black	<ul style="list-style-type: none"> • as essential accessory • colour change, dim and switch • 4-way distributor • further Dynamic-Controller (among other WiFi + DALI) page 255 	130 g
	615 000 505 31	24V Dynamic-Controller radio 75W incl. surface mounted remote control stainless steel look		105 g
	615 000 505 34	24V Dynamic-Controller radio 75W incl. recessed remote control stainless steel look		80 g
	215 350 610 01	Connecting cable Dynamic 1m	<ul style="list-style-type: none"> • connection between distributor and luminaire 	16 g
	215 350 625 01	Connecting cable Dynamic 2,5m		40 g
	215 080 607 14	Dynamic 4-way distributor	<ul style="list-style-type: none"> • cable 100mm with Dynamic plug • for 3 additional supply cables 	16 g
Accessories	LED transformers 24V from page 248 / DALI and WiFi controller page 255			





Flat LED under cabinet luminaire with large light surface



Connection: LED transformer DC 24 V
Life: L70/B10 ≥ 50.000 hours
Energy efficiency: LED 144 lm/W; luminaire: 390 lm (65 lm/W)
Colour rendering: Ra/CRI > 90

LED Sky		ww	nw
0,5m	Ø 620	700 lx	800 lx
1,0m	Ø 1240	175 lx	200 lx
1,5m	Ø 1860	78 lx	89 lx
2,0m	Ø 2480	44 lx	50 lx
2,5m	Ø 3100	28 lx	32 lx

Special features:

- sets can be dimmed via invisible Dim-Controller Sonar with memory function (after disconnection from the mains, the previous dimming status is restored)

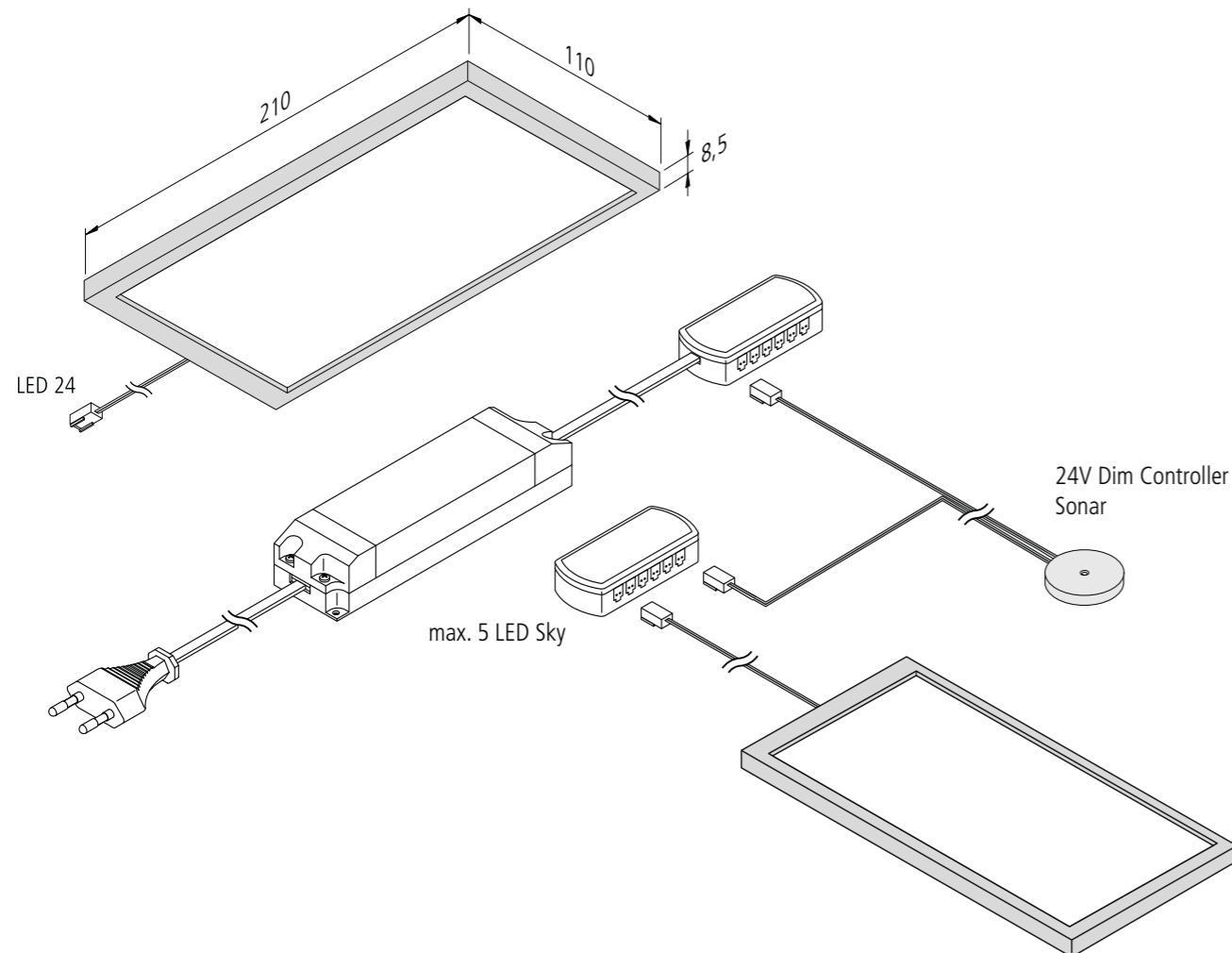


Illustration	Article No.	Description	Features	Weight approx.
	202 026 603 02	LED Sky 6W ww black	• colour appearance ww (warm white) approx. 3000K • supply cable 2,5m with LED 24 plug	240 g
	202 026 608 02	LED Sky 6W ww stainless steel		240 g
	202 026 603 03	LED Sky 6W nw black	• colour appearance nw (neutral white) approx. 4000K • supply cable 2,5m with LED 24 plug	240 g
	202 026 608 03	LED Sky 6W nw stainless steel		240 g
	610 574 201 32	set of 2 LED Sky 6W ww black	• colour appearance ww (warm white) approx. 3000K or nw (neutral white) approx. 4000K • incl. transformer 30W (up to 5 luminaires can be added)	730 g
	610 574 201 82	set of 2 LED Sky 6W ww stainless steel		730 g
	610 574 201 33	set of 2 LED Sky 6W nw black		730 g
	610 574 201 83	set of 2 LED Sky 6W nw stainless steel		730 g
	610 574 202 32	set of 2 LED Sky 6W ww black with Dim-Controller Sonar	• colour appearance ww (warm white) approx. 3000K or nw (neutral white) approx. 4000K • incl. transformer 30W (up to 5 luminaires can be added) + Dim-Controller Sonar + cable duct 250 x 9 x 5mm	800 g
	610 574 202 82	set of 2 LED Sky 6W ww stainless steel with Dim-Controller Sonar		800 g
	610 574 202 33	set of 2 LED Sky 6W nw black with Dim-Controller Sonar		800 g
	610 574 202 83	set of 2 LED Sky 6W nw stainless steel with Dim-Controller Sonar		800 g
	215 300 610 01	LED 24 connecting cable 1,0m	• up to max. 60W usable • further information + lengths on page 250	9 g
	215 300 625 01	LED 24 connecting cable 2,5m		22 g
	206 040 011 01	Transformer LED 24/ 15W DC 24V	• mains cable 2m with Euro plug • 12-way distributor	167 g
	206 040 012 01	Transformer LED 24/ 30W DC 24V		330 g



DYNAMIC SLIM-PAD F

Flat LED under cabinet luminaire with adjustable colour appearance



Connection: LED transformer DC 24 V
Life: L70/B10 ≥ 60.000 hours
Energy efficiency: LED: 105 lm/W luminaire: **285 lm** (57 lm/W)
Colour rendering: Ra/CRI > 85

Dynamic LED Slim-Pad F			xw	nw
0,5m	Ø 620	110°	472 lx	504 lx
1,0m	Ø 1240		108 lx	126 lx
1,5m	Ø 1860		52 lx	56 lx
2,0m	Ø 2480		30 lx	32 lx
2,5m	Ø 3100		19 lx	20 lx

Special features:

- colour appearance adjustable between 2700 K (xw) and 5000 K (cw)

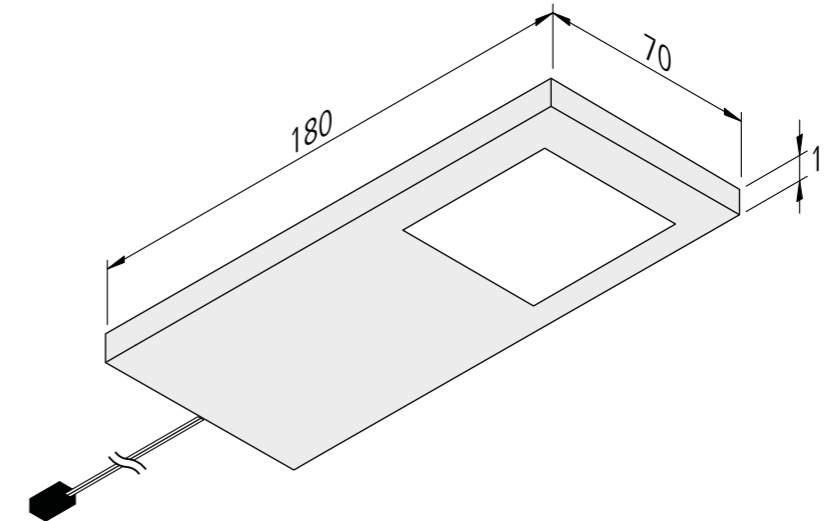


Illustration	Article No.	Description	Features	Weight approx.
	610 018 601 01	Dynamic LED Slim-Pad F 5W white	<ul style="list-style-type: none"> • colour appearance adjustable between approx. 2700K and 5000K • supply cable 2,4m with Dynamic plug 	150 g
	610 018 601 03	Dynamic LED Slim-Pad F 5W black		150 g
	610 018 601 08	Dynamic LED Slim-Pad F 5W stainless steel		150 g
	610 531 301 08	set of 3 Dynamic LED Slim-Pad F 5W stainless steel	<ul style="list-style-type: none"> • colour appearance adjustable between approx. 2700K and 5000K • incl. surface mounted remote control and transformer 30W 	805 g
	615 000 505 32	24V Dynamic-Controller radio 75W incl. 4 channel remote control black	<ul style="list-style-type: none"> • as essential accessory • colour change, dim and switch • 4-way distributor • further Dynamic-Controller (among other WiFi + DALI) page 255 	130 g
	615 000 505 31	24V Dynamic-Controller radio 75W incl. surface mounted remote control stainless steel look		105 g
	615 000 505 34	24V Dynamic-Controller radio 75W incl. recessed remote control stainless steel look		80 g
	215 350 610 01	Connecting cable Dynamic 1m	<ul style="list-style-type: none"> • connection between distributor and luminaire 	16 g
	215 350 625 01	Connecting cable Dynamic 2,5m		40 g
	215 080 607 14	Dynamic 4-way distributor	<ul style="list-style-type: none"> • cable 100mm with Dynamic plug • for 3 additional supply cables 	16 g
Accessories	LED transformers 24V from page 248 / DALI and WiFi controller page 255			



SLIM-PAD F

Flat LED under cabinet luminaire with homogeneous planar light



Connection: LED transformer DC 24 V
Life: L70/B10 ≥ 60.000 hours
Energy efficiency: LED 105 lm/W; luminaire: **285 lm** (57 lm/W)
Colour rendering: Ra/CRI > 80

LED Slim-Pad F			
		ww	nw
0,5m	Ø 620	472 lx	504 lx
1,0m	Ø 1240	118 lx	126 lx
1,5m	Ø 1860	52 lx	56 lx
2,0m	Ø 2480	30 lx	32 lx
2,5m	Ø 3100	19 lx	20 lx

Special features:

- sets can be dimmed via IR dimmer incl. integrated orientation LED
- IR dimmer (to switch and dim) with memory function (after disconnection from the mains, the previous dimming status is restored)

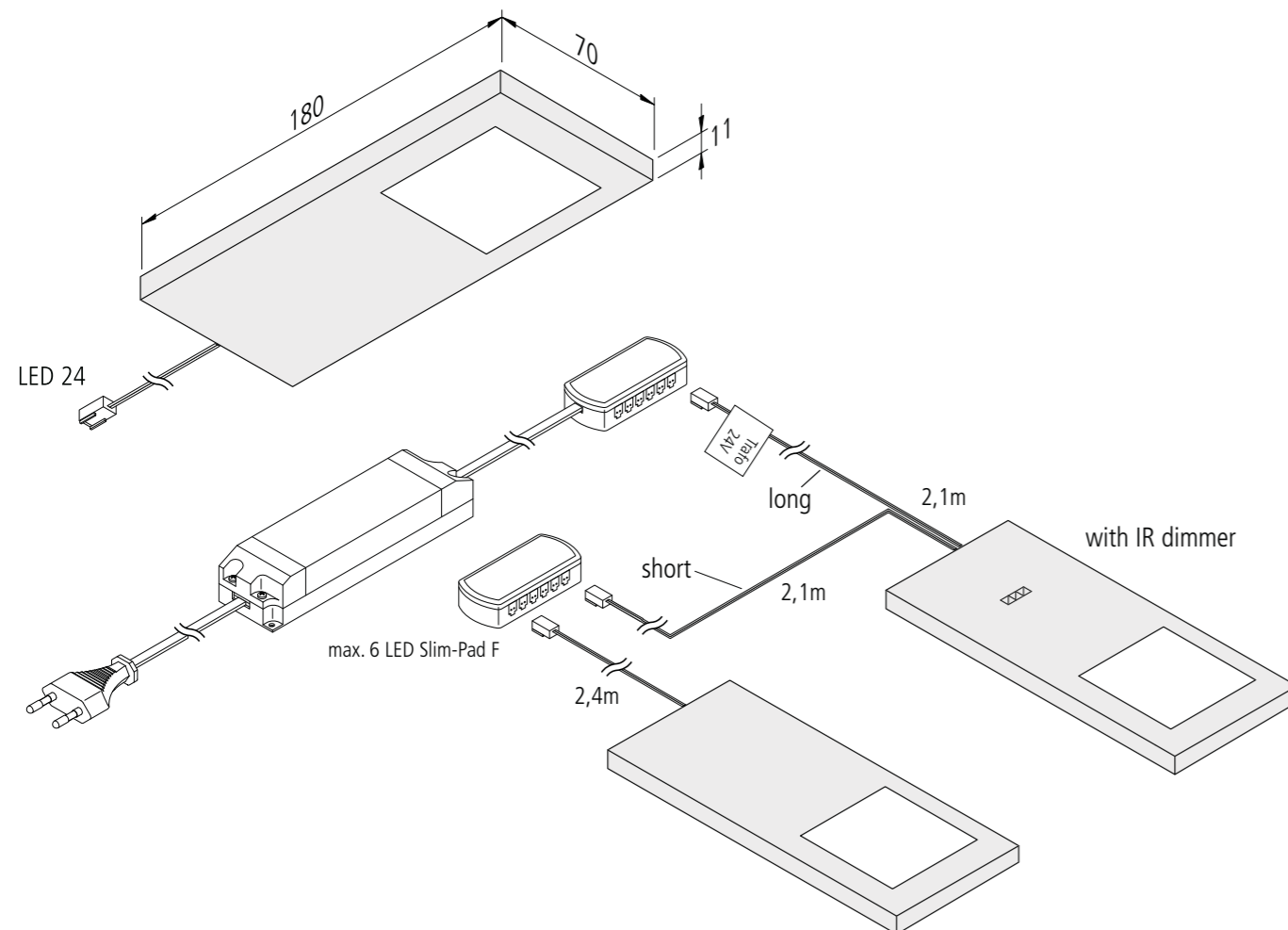


Illustration	Article No.	Description	Features	Weight approx.
	610 016 902 01	LED Slim-Pad F 5W ww white	<ul style="list-style-type: none"> • colour appearance ww (warm white) approx. 3000K • supply cable 2,4m with LED 24 plug 	150 g
	610 016 902 03	LED Slim-Pad F 5W ww black		150 g
	610 016 902 08	LED Slim-Pad F 5W ww stainless steel		150 g
	610 016 903 01	LED Slim-Pad F 5W nw white	<ul style="list-style-type: none"> • colour appearance nw (neutral white) approx. 4000K • supply cable 2,4m with LED 24 plug 	150 g
	610 016 903 03	LED Slim-Pad F 5W nw black		150 g
	610 016 903 08	LED Slim-Pad F 5W nw stainless steel		150 g
	610 016 912 01	LED Slim-Pad F 5W ww white with dimmer	<ul style="list-style-type: none"> • colour appearance ww (warm white) approx. 3000K • supply cable 2,4m with LED 24 plug • incl. touchless IR dimmer and orientation LED 	200 g
	610 016 912 03	LED Slim-Pad F 5W ww black with dimmer		200 g
	610 016 912 08	LED Slim-Pad F 5W ww stainless steel with dimmer		200 g
	610 016 913 01	LED Slim-Pad F 5W nw white with dimmer	<ul style="list-style-type: none"> • colour appearance nw (neutral white) approx. 4000K • supply cable 2,4m with LED 24 plug • incl. touchless IR dimmer and orientation LED 	200 g
	610 016 913 03	LED Slim-Pad F 5W nw black with dimmer		200 g
	610 016 913 08	LED Slim-Pad F 5W nw stainless steel with dimmer		200 g
	610 565 302 01	set of 3 LED Slim-Pad F 5W ww white with dimmer	<ul style="list-style-type: none"> • colour appearance ww (warm white) approx. 3000K • supply cable 2,4m with LED 24 plug • incl. transformer 30W (up to 6 luminaires can be added) • incl. touchless IR dimmer and orientation LED 	750 g
	610 565 302 03	set of 3 LED Slim-Pad F 5W ww black with dimmer		750 g
	610 565 302 08	set of 3 LED Slim-Pad F 5W ww stainless steel with dimmer		750 g
	610 565 303 01	set of 3 LED Slim-Pad F 5W nw white with dimmer	<ul style="list-style-type: none"> • colour appearance nw (neutral white) approx. 4000K • supply cable 2,4m with LED 24 plug • incl. transformer 30W (up to 6 luminaires can be added) • incl. touchless IR dimmer and orientation LED 	750 g
	610 565 303 03	set of 3 LED Slim-Pad F 5W nw black with dimmer		750 g
	610 565 303 08	set of 3 LED Slim-Pad F 5W nw stainless steel with dimmer		750 g
	215 300 610 01	LED 24 connecting cable 1,0m	<ul style="list-style-type: none"> • up to max. 60W usable • further information + lengths on page 250 	9 g
	215 300 625 01	LED 24 connecting cable 2,5m		22 g
	206 040 011 01	Transformer LED 24/ 15W DC 24V	<ul style="list-style-type: none"> • mains cable 2m with Euro plug • 12-way distributor 	167 g
	206 040 012 01	Transformer LED 24/ 30W DC 24V		330 g

Introduction

Power supply track system

Linear luminaires

Recessed and surface mounted luminaires

Showcase and over cabinet luminaires

Under cabinet luminaires

Accessories

Appendix



L-PAD

Flat and powerful LED under cabinet luminaire

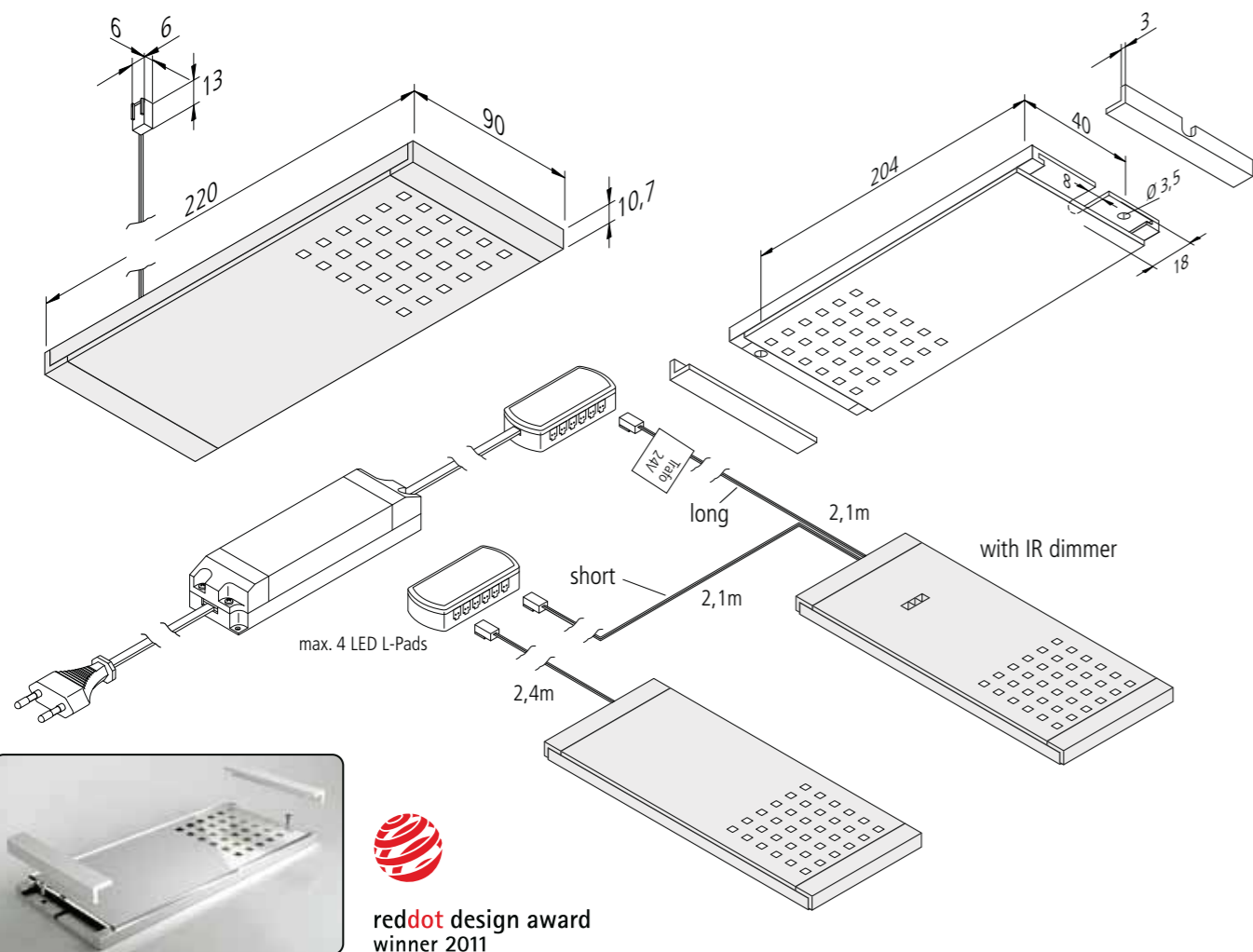


Connection: LED transformer DC 24 V
Life: L70/B10 ≥ 60.000 hours
Energy efficiency: LED 124 lm/W; luminaire: 480 lm (64 lm/W)
Colour rendering: Ra/CRI > 93

LED L-Pad		
	ww / nw	
0,5m	Ø 620	776 lx
1,0m	Ø 1240	194 lx
1,5m	Ø 1860	86 lx
2,0m	Ø 2480	49 lx
2,5m	Ø 3100	31 lx

Special features:

- sets can be dimmed via IR dimmer incl. integrated orientation LED
- IR dimmer (to switch and dim) with memory function (after disconnection from the mains, the previous dimming status is restored)



reddot design award
winner 2011

Illustration	Article No.	Description	Features	Weight approx.	
	610 013 202 01	LED L-Pad 7,5W ww white	<ul style="list-style-type: none"> • colour appearance ww (warm white) approx. 3000K • supply cable 2,4m with LED 24 plug 	310 g	
	610 013 202 07	LED L-Pad 7,5W ww anodized aluminium		310 g	
	610 013 202 08	LED L-Pad 7,5W ww stainless steel look		310 g	
	610 013 203 01	LED L-Pad 7,5W nw white		310 g	
	610 013 203 07	LED L-Pad 7,5W nw anodized aluminium		310 g	
	610 013 203 08	LED L-Pad 7,5W nw stainless steel look		310 g	
	610 551 202 01	set of 2 LED L-Pad 7,5W ww white with dimmer		<ul style="list-style-type: none"> • colour appearance ww (warm white) approx. 3000K • supply cable 2,4m with LED 24 plug • incl. transformer 30W (up to 4 luminaires can be added) • incl. touchless IR dimmer and orientation LED 	930 g
	610 551 202 07	set of 2 LED L-Pad 7,5W ww anodized aluminium with dimmer			930 g
610 551 202 08	set of 2 LED L-Pad 7,5W ww stainless steel with dimmer	930 g			
610 551 203 01	set of 2 LED L-Pad 7,5W nw white with dimmer	930 g			
610 551 203 07	set of 2 LED L-Pad 7,5W nw anodized aluminium with dimmer	930 g			
610 551 203 08	set of 2 LED L-Pad 7,5W nw stainless steel with dimmer	930 g			
610 551 402 01	set of 4 LED L-Pad 7,5W ww white with dimmer	<ul style="list-style-type: none"> • colour appearance ww (warm white) approx. 3000K • supply cable 2,4m with LED 24 plug • incl. transformer 30W • incl. touchless IR dimmer and orientation LED 	1550 g		
610 551 402 07	set of 4 LED L-Pad 7,5W ww anodized aluminium with dimmer		1550 g		
610 551 402 08	set of 4 LED L-Pad 7,5W ww stainless steel with dimmer		1550 g		
610 551 403 01	set of 4 LED L-Pad 7,5W nw white with dimmer		1550 g		
610 551 403 07	set of 4 LED L-Pad 7,5W nw anodized aluminium with dimmer		1550 g		
610 551 403 08	set of 4 LED L-Pad 7,5W nw stainless steel with dimmer		1550 g		
215 300 610 01	LED 24 connecting cable 1,0m		<ul style="list-style-type: none"> • up to max. 60W usable • further information + lengths on page 250 	9 g	
215 300 625 01	LED 24 connecting cable 2,5m			22 g	
206 040 011 01	Transformer LED 24/ 15W DC 24V	<ul style="list-style-type: none"> • mains cable 2m with Euro plug • 12-way distributor 	167 g		
206 040 012 01	Transformer LED 24/ 30W DC 24V		330 g		
206 040 019 01	Transformer LED 24/ 75W DC 24V		460 g		

Introduction

Power supply track system

Linear luminaires

Recessed and surface mounted luminaires

Showcase and over cabinet luminaires

Under cabinet luminaires

Accessories

Appendix



UL 2-LED F

Triangular LED under cabinet luminaire in stainless steel with planar light



Connection: LED transformer DC 24 V
Life: L70/B10 ≥ 54.000 hours
Energy efficiency: LED: 113 lm/W luminaire: **210 lm** (70 lm/W)
Colour rendering: Ra/CRI > 93

UL 2-LED F		ww	nw
0,5m	Ø 620	320 lx	340 lx
1,0m	Ø 1240	80 lx	85 lx
1,5m	Ø 1860	36 lx	38 lx
2,0m	Ø 2480	20 lx	21 lx
2,5m	Ø 3100	13 lx	14 lx

Special features:

- housing of brushed stainless steel
- electronic contact switch EBS 4 as accessory
- no visible luminous spots

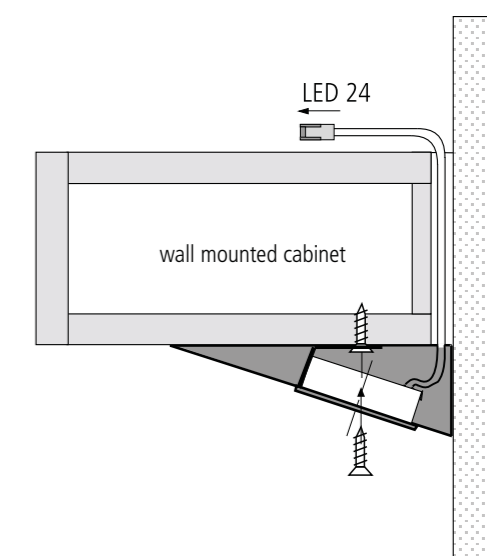
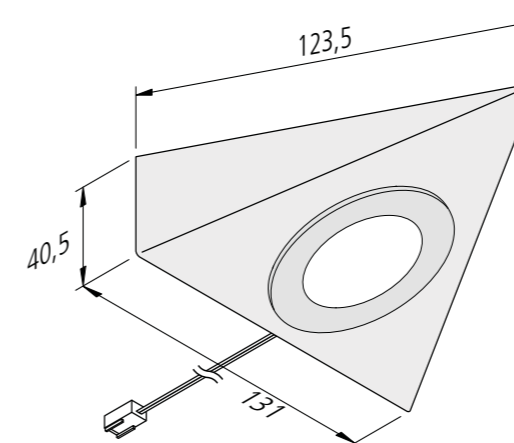


Illustration	Article No.	Description	Features	Weight approx.
	610 014 610 02	UL 2-LED F 3W ww stainless steel	<ul style="list-style-type: none"> • colour appearance ww (warm white) approx. 3000K or nw (neutral white) approx. 4000K • supply cable 2,4m with LED 24 plug 	175 g
	610 014 610 03	UL 2-LED F 3W nw stainless steel		175 g
	610 559 311 02	set of 3 UL 2-LED F 3W ww stainless steel	<ul style="list-style-type: none"> • colour appearance ww (warm white) approx. 3000K or nw (neutral white) approx. 4000K • incl. transformer 15W (up to 5 luminaires can be added) 	695 g
	610 559 311 03	set of 3 UL 2-LED F 3W nw stainless steel		695 g
	610 559 312 02	set of 3 UL 2-LED F 3W ww stainless steel with switch		845 g
	610 559 312 03	set of 3 UL 2-LED F 3W nw stainless steel with switch		845 g
	506 110 301 01	EBS 4 D with sensor cable 2m and ring terminal M4	<ul style="list-style-type: none"> • 1m Euro plug / 0,3m Euro coupling 	150 g
	215 300 610 01	LED 24 connecting cable 1,0m	<ul style="list-style-type: none"> • up to max. 60W usable • further information + lengths on page 250 	9 g
	215 300 625 01	LED 24 connecting cable 2,5m		22 g
	206 040 011 01	Transformer LED 24/ 15W DC 24V	<ul style="list-style-type: none"> • mains cable 2m with Euro plug • 12-way distributor 	167 g



SIL-LED B

LED interior cabinet luminaire



Connection: LED transformer DC 24 V
Life: L70/B10 ≥ 60.000 hours
Energy efficiency: LED 107 lm/W; luminaire: **241 lm/m** (61 lm/W)
Colour rendering: Ra/CRI > 80

Special features:

- integrated touchless sensor switch
- screw-on bracket as accessory for side fixture in drawers

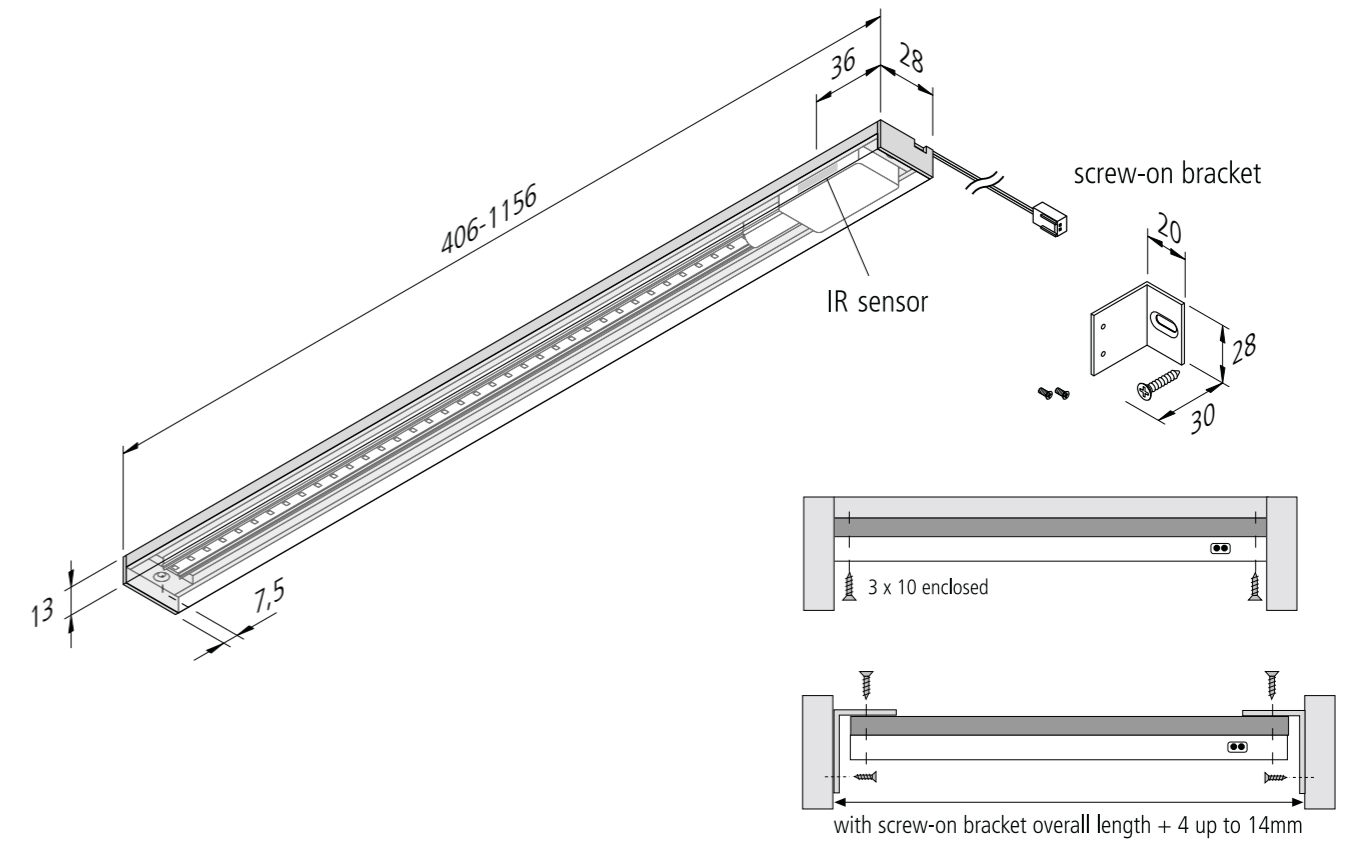


Illustration	Article No.	Description	Features	Weight approx.
	610 012 111 03	SIL-LED B 1,2W 406mm (with screw-on bracket 410-420mm)	<ul style="list-style-type: none"> • supply cable 2,5m with LED 24 plug • anodized aluminium • colour appearance nw (neutral white) approx. 4000K • incl. 500mm self adhesive cable duct • 856mm version mechanically stiffened 	125 g
	610 012 112 03	SIL-LED B 1,6W 556mm (with screw-on bracket 560-570mm)		185 g
	610 012 113 03	SIL-LED B 2,8W 856mm (with screw-on bracket 860-870mm)		305 g
	610 012 116 03	SIL-LED B 4,0W 1156mm (with screw-on bracket 1160-1170mm)		370 g
	202 040 110 01	screw-on bracket SIL-LED for side fixture	<ul style="list-style-type: none"> • variable to mount (luminaire length + 4 up to 14 mm) 	20 g
	206 040 011 01	Transformer LED 24/ 15W DC 24V	<ul style="list-style-type: none"> • mains cable 2m with Euro plug • 12-way distributor 	167 g

A glass of water is in the top left corner, and a dark remote control is in the bottom right. The background is a dark, textured surface. A white horizontal band contains the text 'ACCESSORIES' and a paragraph of text.

ACCESSORIES

Transformers, controllers, switches or connection systems are the fundamental technical elements for a flawless functioning.

LED 24 Transformer

Electronic safety transformer for 24 V DC LED



LED 24/30 W

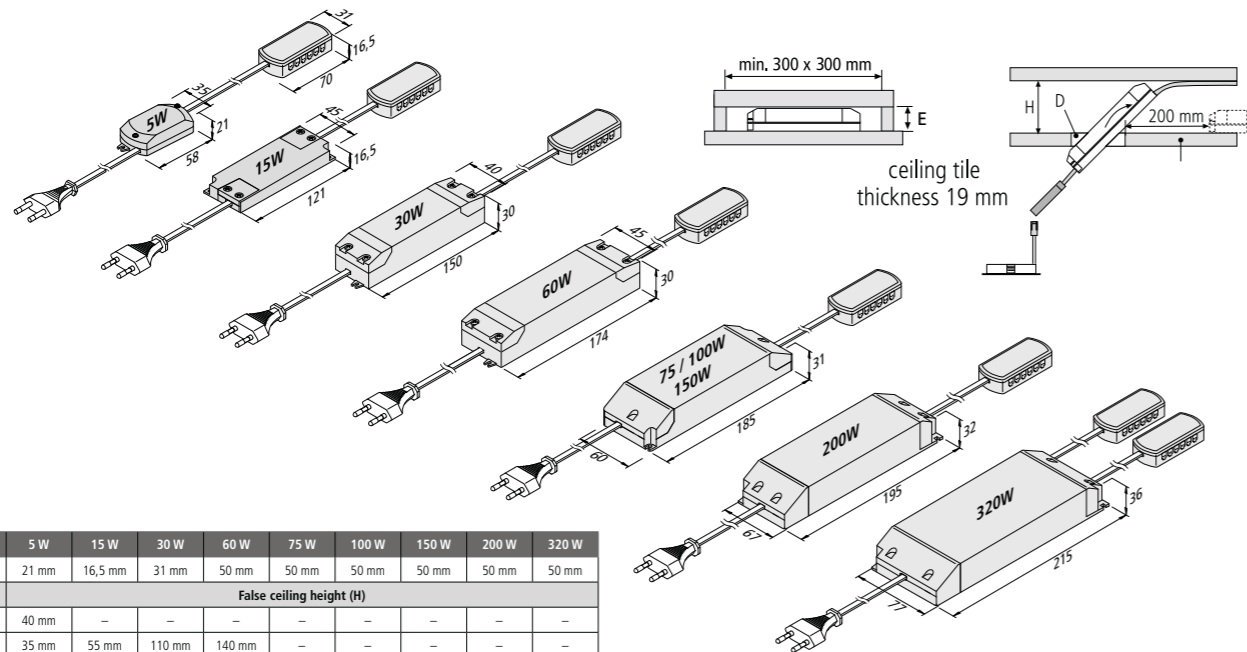


LED 24/100 W



Connection: 220 – 240 V / 50 – 60 Hz

- Other:**
- constant 24 V DC
 - protected against short-circuit, overload and no-load
 - max. length of secondary cables: **5 m** each



	5 W	15 W	30 W	60 W	75 W	100 W	150 W	200 W	320 W
Installation height (E)	21 mm	16,5 mm	31 mm	50 mm	50 mm	50 mm	50 mm	50 mm	50 mm
Ceiling cavity (D)	False ceiling height (H)								
ø 45 mm	40 mm	-	-	-	-	-	-	-	-
ø 55 mm	35 mm	55 mm	110 mm	140 mm	-	-	-	-	-
ø 68 mm	30 mm	45 mm	90 mm	100 mm	140 mm	140 mm	140 mm	140 mm	-
ø 78 mm	22 mm	40 mm	70 mm	80 mm	100 mm	100 mm	100 mm	100 mm	-

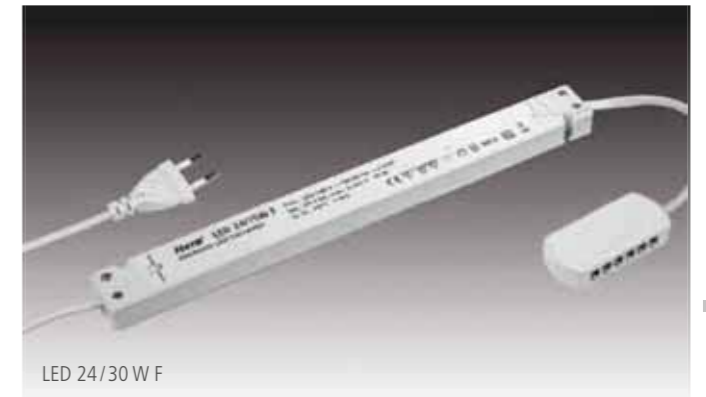
Article No.	Description	Features	Weight approx.
206 040 023 01	Transformer LED 24/ 5W DC 24V	• mains cable 2m with Euro plug	160 g
206 040 011 01	Transformer LED 24/ 15W DC 24V	• 12-way distributor	167 g
206 040 012 01	Transformer LED 24/ 30W DC 24V ¹⁾		330 g
206 040 031 01	Transformer LED 24/ 60W DC 24V		375 g
206 040 019 01	Transformer LED 24/ 75W DC 24V		460 g
206 040 033 01	Transformer LED 24/100W DC 24V		460 g
206 040 040 01	Transformer LED 24/150W DC 24V		544 g
206 040 030 02	Transformer LED 24/200W DC 24V		611 g
206 040 042 01	Transformer LED 24/320W DC 24V	• mains cable 2m with Euro plug • with 2 x 12-way distributor	1018 g
206 040 024 11	Transformer LED PS24V/30/S 30W DC 24V USA ²⁾	• mains cable 2m with US plug	290 g
206 040 024 12	Transformer LED PS24V/75/S 75W DC 24V USA ²⁾	• technical information under: www.heralighting.com	420 g

LED 24 Transformer

Flat, electronic safety transformer for 24 V DC LED



LED 24/75 W F

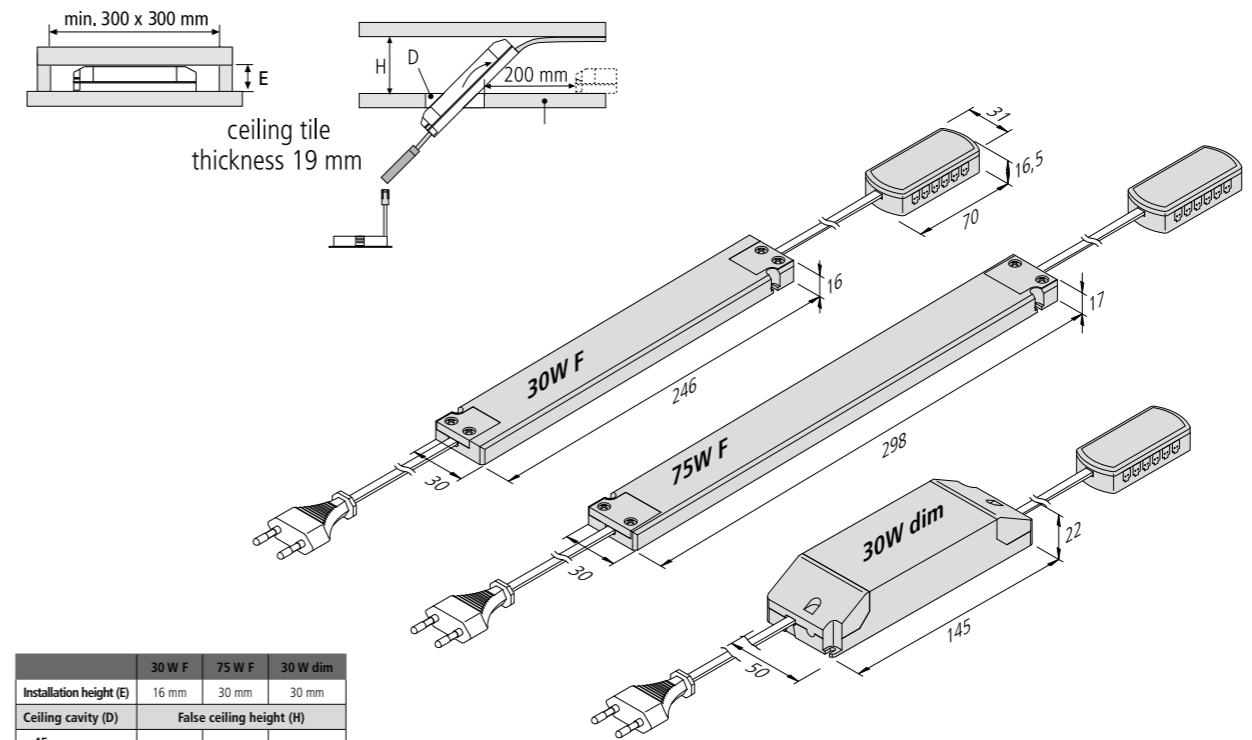


LED 24/30 W F



Connection: 220 – 240 V / 50 – 60 Hz

- Other:**
- constant 24 V DC
 - protected against short-circuit, overload and no-load
 - max. length of secondary cables: **5 m** each



	30 W F	75 W F	30 W dim
Installation height (E)	16 mm	30 mm	30 mm
Ceiling cavity (D)	False ceiling height (H)		
ø 45 mm	-	-	110 mm
ø 55 mm	-	-	68 mm
ø 68 mm	-	-	54 mm
ø 78 mm	-	-	-

Article No.	Description	Features	Weight approx.
206 040 026 05	Transformer LED 24/ 30W F DC 24V	• mains cable 2m with Euro plug • 12-way distributor	250 g
206 040 038 01	Transformer LED 24/ 75W F DC 24V	• mains cable 2m with Euro plug • 12-way distributor	280 g
206 040 012 22	Transformer LED 24/ 30W dimmable DC 24V	• no minimum load necessary • recommended trailing edge dimmer: Busch-Jaeger 6523U , Gira 5400 00 , JUNG 1224 LED UDE or JUNG 1730DD • dim range: 5 - 100%	335 g



Connection: 24 V DC / for luminaires with LED 24 plug

- Other:**
- for constant voltage (reverse polarity protected)
 - output: max. 60 W
 - plug only 7,9 mm in diameter (fits through 8 mm drill hole)
 - plug for connecting cable only 8,5 mm in diameter (fits through 9 mm drill hole)
 - cable 2 x 0,34 mm²

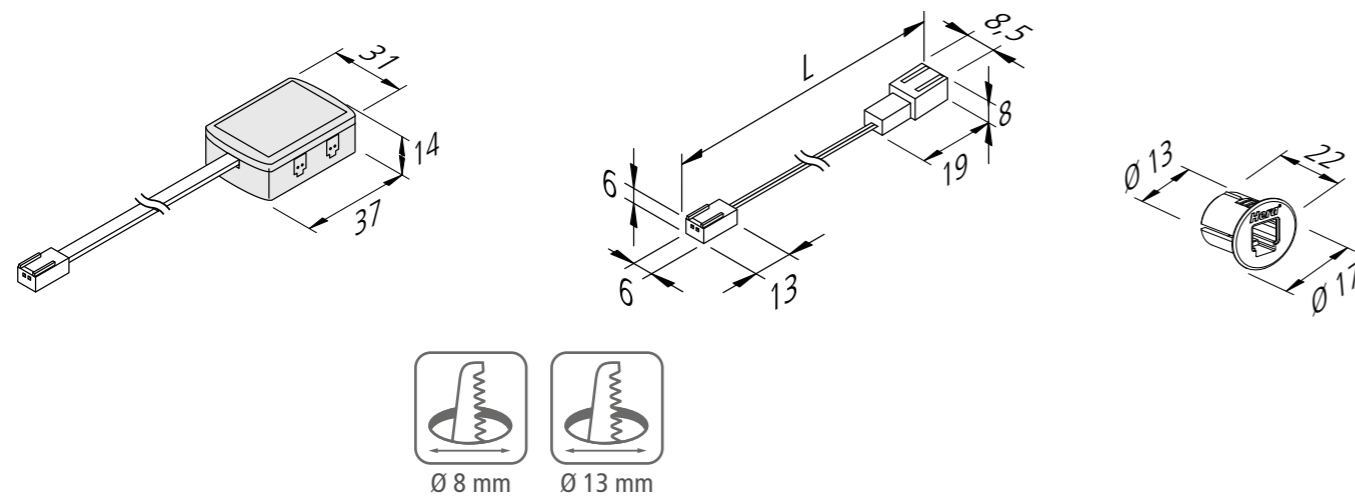
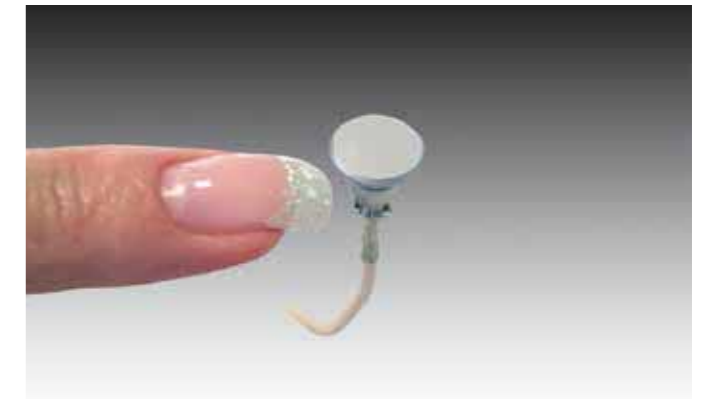


Illustration	Article No.	Description	Features	Weight approx.
	215 300 601 02	LED 24 connecting cable 0,1m	<ul style="list-style-type: none"> • up to max. 60W usable • further information on page 250 	3 g
	215 300 605 01	LED 24 connecting cable 0,5m		5 g
	215 300 610 01	LED 24 connecting cable 1,0m		9 g
	215 300 625 01	LED 24 connecting cable 2,5m		22 g
	215 300 001 01	LED 24 mounting socket for wood	<ul style="list-style-type: none"> • to accommodate the socket of a connecting cable • for wood from 10mm with 13mm cut-out 	1 g
	215 080 607 06	LED 24 4-way distributor	<ul style="list-style-type: none"> • cable 2,5m with LED 24 plug • up to max. 60W usable 	32 g



Connection: 230 – 240 V / 50 – 60 Hz

- Other:**
- a slight touch on the sensor surface activates the switch
 - suitable for switching one LED transformer type LED 24/5W – LED 24/60W
 - the EBS is connected on the primary side between transformer and socket; the sensor cable is connected to the sensor surface; please ensure that the sensor surface is insulated against conductive parts
 - not suitable for fluorescent luminaires
 - no memory function (luminaires are off after disconnection from mains)

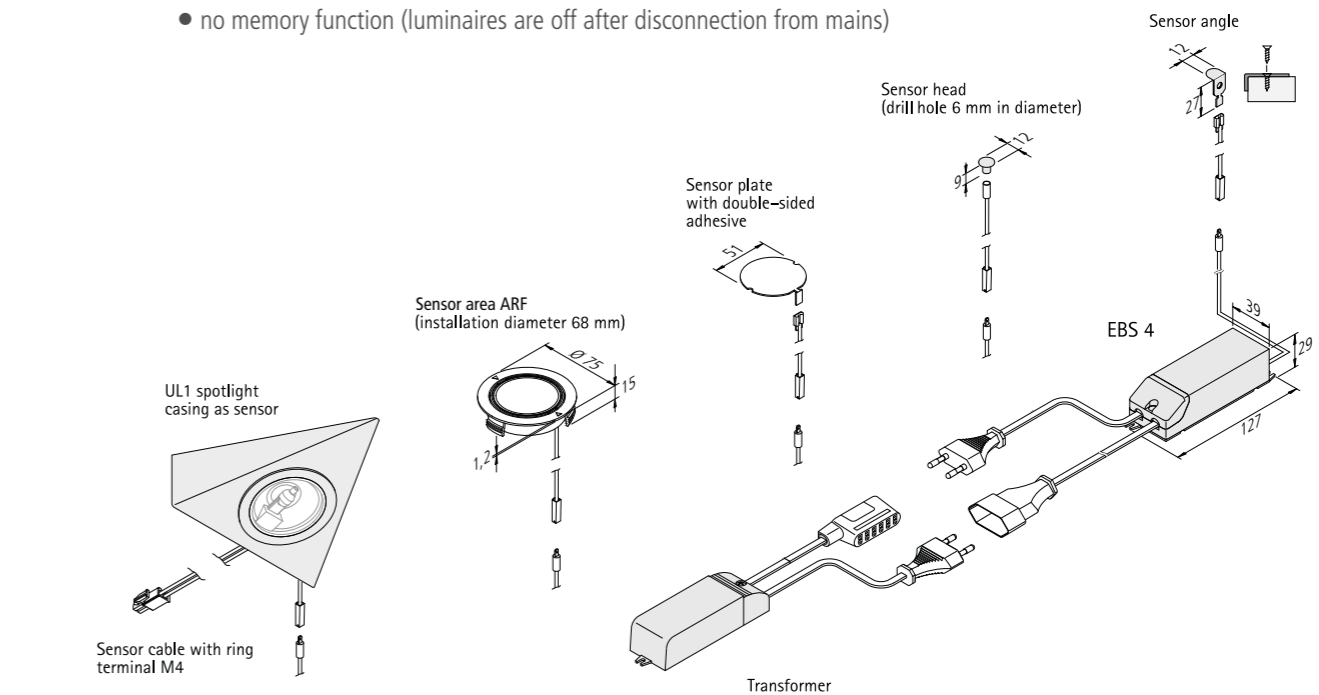
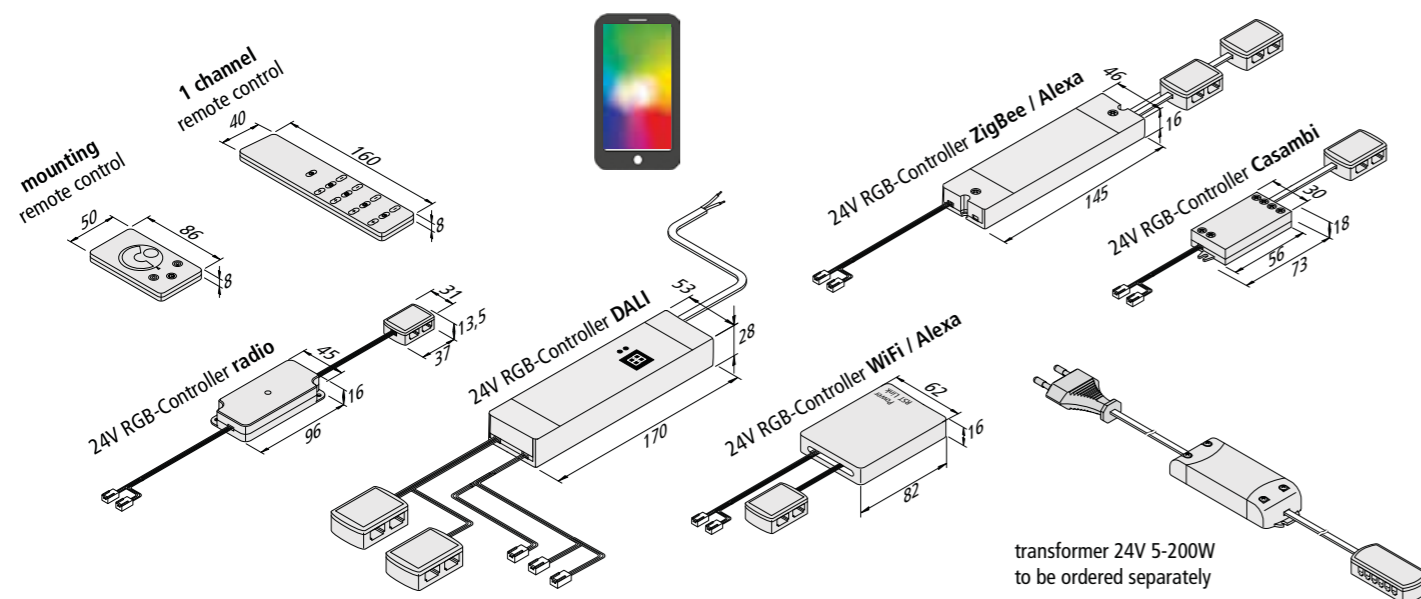


Illustration	Article No.	Description	Features	Weight approx.
	506 110 303 11	EBS 4 D with sensor cable 2m and ring terminal M4	• 1m with ferrules / 1m with ferrules	150 g
	506 110 301 01	EBS 4 D with sensor cable 2m and ring terminal M4	• 1m Euro plug / 0,3m Euro coupling	150 g
	506 110 302 01	EBS 4 D with sensor cable 2m and sensor head 12mm matt chrome		150 g
	506 110 301 02	EBS 4 D without sensor cable		125 g
	214 021 001 31	Ring terminal M4 for UL1	• incl. sensor cable 2m	25 g
	515 000 410 26	Sensor head 12mm matt chrome		30 g
	515 000 410 38	Sensor angle 12mm stainless steel		30 g
	506 111 100 08	Sensor plate 51mm stainless steel		45 g
	506 110 700 16	Sensor surface ARF stainless steel		60 g

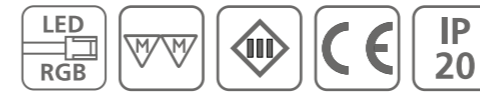


Creates fantastic lighting moods



LED 24V RGB-Controller

To control the colour appearance (red, green, blue, multicolour)



- Connection:** 24 V DC / for RGB luminaires with RGB plug
Other:
- easy plug-in connection for new or existing installations
 - with memory function (after disconnection from the mains, the previous colour and dimming status is restored)

Radio remote controls for dimming, switching and colour setting

- dimmable in four steps / with wall mounting (operating distance 15 m / less for walls and ceilings)
- colours freely adjustable with colour board / automatic lock-out of the colour board after 1 min.
- 7 colours alternately 8, 16, 32, 64 and 128 sec. adjustable
- gently fading colour flow 8, 16, 32, 64 and 128 sec. adjustable
- multiple radio controllers can be activated simultaneously using one remote control

DALI controller

- for connection to complex controls or bus systems

WiFi / Alexa controller controllable with every iOS or Android smartphone or tablet (Hera-App for free)

- 20 pre-programmed sequences, 16 free programmable scenes
- easy installation with plug & play components and connecting system (operating distance up to 50 m)
- can be used as stand-alone system without an existing WiFi system; with an existing WiFi system max. 14 controllers can be used
- incl. remote function (external control) and timer function (individual runtime and programmed pause)
- **NEW:** with the „Magic Home Pro“ app voice control via Alexa or Google Home

Article No.	Description	Features	Weight approx.
615 000 505 44	24V RGB-Controller radio 75W with 1 channel remote control black	<ul style="list-style-type: none"> • as a necessary accessory • for RGB, dim and switch • with 4-way distributor 	130 g
615 000 505 45	24V RGB Controller radio 75W with 4-way distributor with surface mounted remote control black	<ul style="list-style-type: none"> • further RGB controllers (e.g. WiFi + DALI) page 253 	105 g
615 000 505 41	24V RGB-Controller radio 75W with surface mounted remote control stainless steel look		105 g
208 050 030 22	24V RGB-Controller radio 75W without remote control (only as extension)		65 g
615 000 505 43	24V RGB-Controller DALI 120W with 2x4-way distributor	<ul style="list-style-type: none"> • dim control cable 0,3m with ferrules • to adjust the colour, dim and switch RGB luminaires 	115 g
615 000 509 12	24V RGB-Controller WiFi / Alexa 75W with 4-way distributor	<ul style="list-style-type: none"> • operating distance 50m, less for walls and ceilings 	100 g
615 000 522 21	24V RGB-Controller ZigBee / Alexa 96W with 2x4-way distributor NEW	<ul style="list-style-type: none"> • list of compatible systems see www.hera-online.de 	60 g
615 000 516 21	24V RGB-Controller CASAMBI 75W with 4-way distributor	<ul style="list-style-type: none"> • app: www.casambi.com 	60 g
Accessories	LED transformers 24V from page 248		



LED 24V Dynamic-Controller

To adjust the colour appearance (from extra warm to cool white)



Radio remote controls (operating distance 15 m / less for walls and ceilings)

- flush-mounted touch remote control for dimming, switching and colour setting with customary push button
- 4 channel remote control with master button and wall mounting combinable with dim controllers
- surface mounted remote control with wall mounting
- recessed remote control for wood with 35 mm cut-out, depth min. 12 mm incl. mounting housing stainless steel look or for use in standard sockets
- multiple radio controllers can be activated simultaneously using one remote control
- all controllers with „**Soft Off**“ and „**Multicontrol**“ (it is possible to program up to 7 remote controls to one controller)

Dali controller

- for connection to complex controls or bus systems

WiFi / Alexa controller controllable with every iOS or Android smartphone or tablet (Hera-App for free)

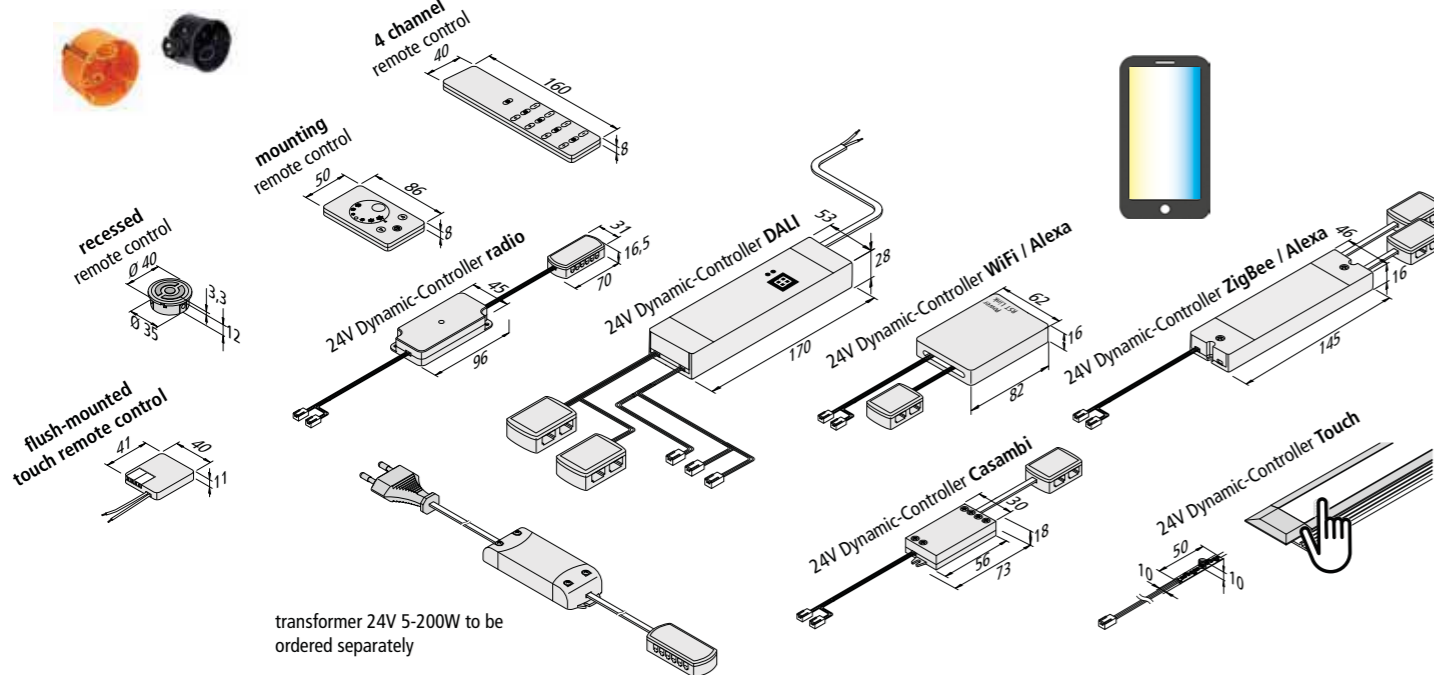
- easy installation with plug & play components and connecting system (operating distance up to 50 m)
- can be used as stand-alone system without an existing WiFi system; with an existing WiFi system max. 14 controllers can be used simultaneously
- incl. remote function (external control) and timer function (individual runtime and programmed pause)
- **NEW:** with the „Magic Home Pro“ app voice control via Alexa or Google Home



Connection: 24 V DC / for Dynamic luminaires with Dynamic plug
Other:

- easy plug-in connection for new or existing installations
- with memory function (after disconnection from the mains, the previous dimming status is restored)

suitable for



Article No.	Description	Features	Weight approx.
208 050 030 15	24V Dynamic-Controller radio 75W incl. flush-mounted touch-remote-control	• as essential accessory	85 g
615 000 505 32	24V Dynamic-Controller radio 75W incl. 4 channel remote control black	• to adjust the colour, dim and switch	130 g
615 000 505 29	24V Dynamic-Controller radio 75W incl. surface mounted remote control black	• 4-way distributor	105 g
615 000 505 31	24V Dynamic-Controller radio 75W incl. surface mounted remote control stainless steel look		105 g
615 000 505 30	24V Dynamic-Controller radio 75W with 4-way distributor incl. recessed remote control black		80 g
615 000 505 34	24V Dynamic-Controller radio 75W incl. recessed remote control stainless steel look		80 g
208 050 030 12	24V Dynamic-Controller radio 75W without radio remote control (only as extension to controllers incl. radio remote control)		65 g
208 050 020 51	Flush-mounted touch remote control to adjust the colour, dim and switch	• as extension to an existing controller	20 g
615 000 506 31	4 channel remote control black	• max. 7 different radio transmitters can be used with one controller	65 g
615 000 506 43	Surface mounted remote control Dynamic black	• each remote control can be parallel registered on random controller	40 g
615 000 506 41	Surface mounted remote control Dynamic stainless steel look		40 g
615 000 506 53	Recessed remote control Dynamic black		15 g
615 000 506 51	Recessed remote control Dynamic stainless steel look		15 g
615 000 505 33	24V Dynamic-Controller DALI 120W with 2x4-way distributor	• dim control cable 0,3m with ferrules	125 g
615 000 509 22	24V Dynamic-Controller WiFi / Alexa 75W with 4-way distributor ²⁾	• to adjust the colour, dim and switch Dynamic luminaires	100 g
615 000 522 11	24V Dynamic-Controller ZigBee / Alexa 96W with 2x4-way distributor NEW	• operating distance 50m / less for walls and ceilings	60 g
217 032 601 01	Wall switch Dynamic ZigBee / Alexa white NEW	• list of compatible systems see www.hera-online.de	56 g
615 000 516 11	24V Dynamic-Controller CASAMBI 75W with 4-way distributor	• RAL 9003 / for screwing or gluing	60 g
208 050 050 11	24V Dynamic-Controller Touch 48W with 3 solder bridges	• app: www.casambi.com	25 g
Accessories	LED transformers 24V from page 248	• for selection in the configurator	

¹⁾ radio versions only (surface mounting)
²⁾ only use with transformers up to 75W

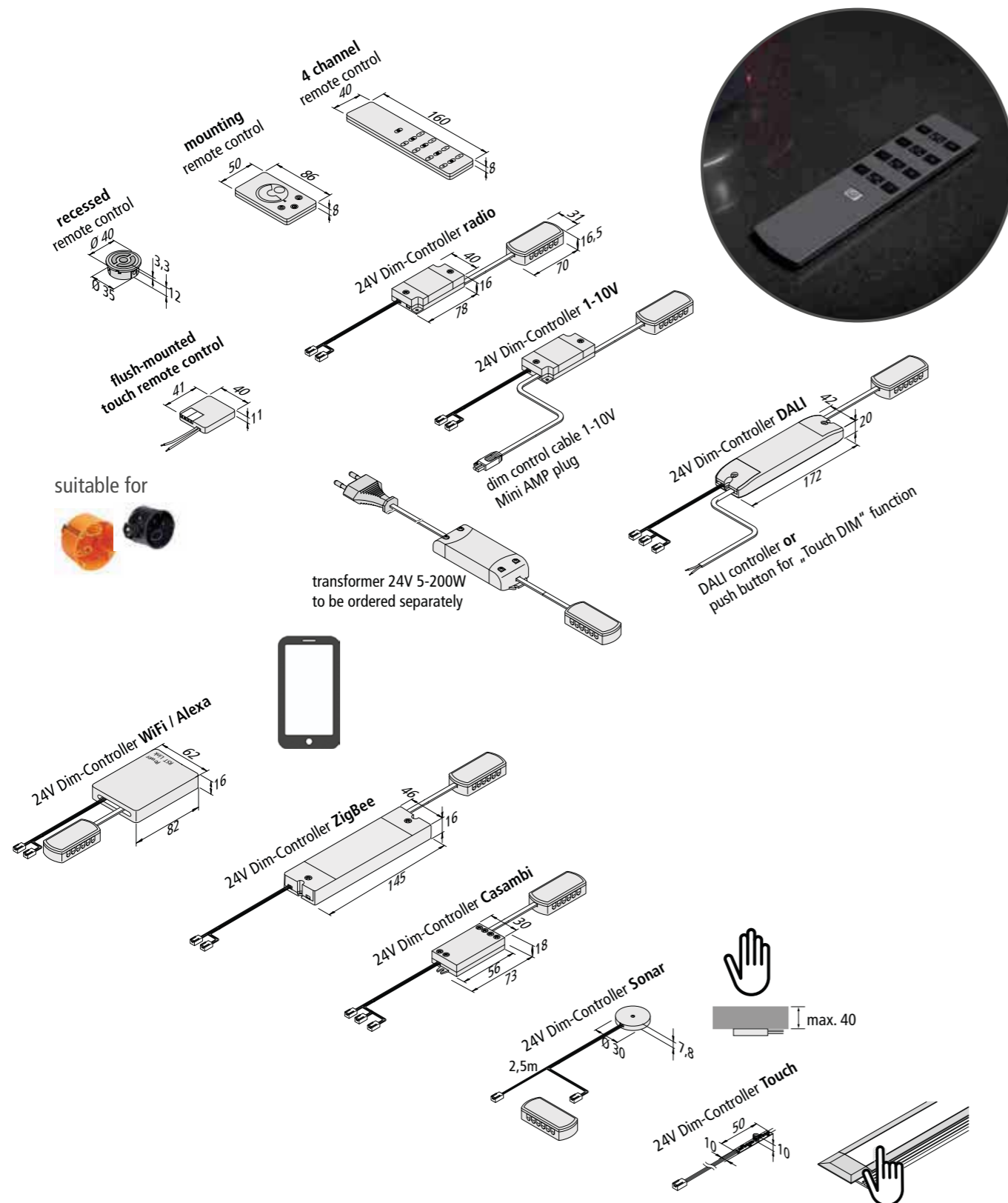
LED 24V Dim-Controller

Dim controller as optional accessory for 24 V transformers



Connection: 24 V DC / for luminaires with LED 24 plug

- Other:**
- easy plug-in connection for new or existing installations
 - with memory function (after disconnection from the mains, the previous dimming status is restored)



LED 24V Dim-Controller

Dim controller as optional accessory for 24 V transformers



Radio remote controls for dimming and switching

- flush-mounted touch remote control to dim and switch with customary push-button (operating distance 15m / less for walls and ceilings)
- 4 channel remote control with master button and wall mounting also combinable with Dynamic controllers
- surface mounted remote control with wall mounting
- recessed remote control for wood with 35 mm cut-out, depth min. 12 mm incl. mounting housing stainless steel look or for use in standard sockets
- multiple radio controllers can be activated simultaneously using one remote control or per channel
- all controllers with „Soft Off“ and „Multicontrol“ (max. 7 different radio transmitters can be used with one controller)

DALI controller for connection to complex controls or bus systems

WiFi / Alexa controller controllable with every iOS or Android smartphone or tablet (Hera-App for free)

- easy installation with plug & play components and connecting system. Operating distance up to 50 m
- can be used as stand-alone system without an existing WiFi system; with an existing WiFi system max. 14 controllers can be used simultaneously
- incl. remote function (external control) and timer function (individual runtime and programmed pause)
- **NEW:** with the „Magic Home Pro“ app voice control via Alexa oder Google Home

Sonar controller for invisible switching and dimming behind wood, glass, stone, or ceramic with a max. size of 40 mm

Article No.	Description	Features	Weight approx.
208 050 030 06	24V Dim-Controller radio 80W incl. flush-mounted touch-remote-control	• to dim and switch • with 12-way distributor	85 g
615 000 505 26	24V Dim-Controller radio 80W incl. 4 channel remote control black		130 g
615 000 505 21	24V Dim Controller radio 80W incl. surface mounted remote control black		105 g
615 000 505 23	24V Dim-Controller radio 80W incl. surface mounted remote control stainless steel look		105 g
615 000 505 22	24V Dim-Controller radio 80W incl. recessed remote control black		80 g
615 000 505 24	24V Dim-Controller radio 80W incl. recessed remote control stainless steel look		80 g
208 050 030 02	24V Dim-Controller radio 80W without remote control (only as extension for controllers incl. remote control)		65 g
208 050 020 51	Flush-mounted touch remote control to adjust the colour, dim and switch	• as extension to an existing controller • max. 7 different radio transmitters can be used with one controller • each remote control can be parallel registered on random controller	20 g
615 000 506 31	4 channel remote control black		65 g
615 000 506 03	Surface mounted remote control dim black		50 g
615 000 506 01	Surface mounted remote control dim stainless steel look		50 g
615 000 506 23	Recessed remote control dim black		15 g
615 000 506 21	Recessed remote control dim stainless steel look		15 g
208 050 030 01	24V Dim-Controller 1-10V 80W with 12-way distributor ²⁾	• dim control cable 0,3m with Mini AMP-plug / dim current <1mA	80 g
615 000 505 11	24V Dim-Controller DALI 120W with 12-way distributor ²⁾	• dim control cable 0,3m with ferrules	125 g
615 000 509 03	24V Dimm-Controller WiFi / Alexa 100W with 12-way distributor	• operating distance 50m / less for walls and ceilings	110 g
615 000 522 01	24V Dim-Controller ZigBee / Alexa 96W with 12-way distributor	NEW • list of compatible systems see www.hera-online.de	80 g
217 032 501 01	Wall switch Dim ZigBee / Alexa white	NEW • RAL 9003 / for screwing or gluing	56 g
615 000 516 01	24V Dim-Controller CASAMBI 120W with 12-way distributor	• app: www.casambi.com	80 g
208 050 030 41	24V Dim-Controller Sonar 48W with 11-way distributor	• dim control cable 2,5m • incl. screw and adhesive plate	70 g
208 050 050 01	24V Dim-Controller Touch 48W with 2 solder bridges	• for selection in the configurator	25 g
Accessories	LED transformers 24V from page 248		

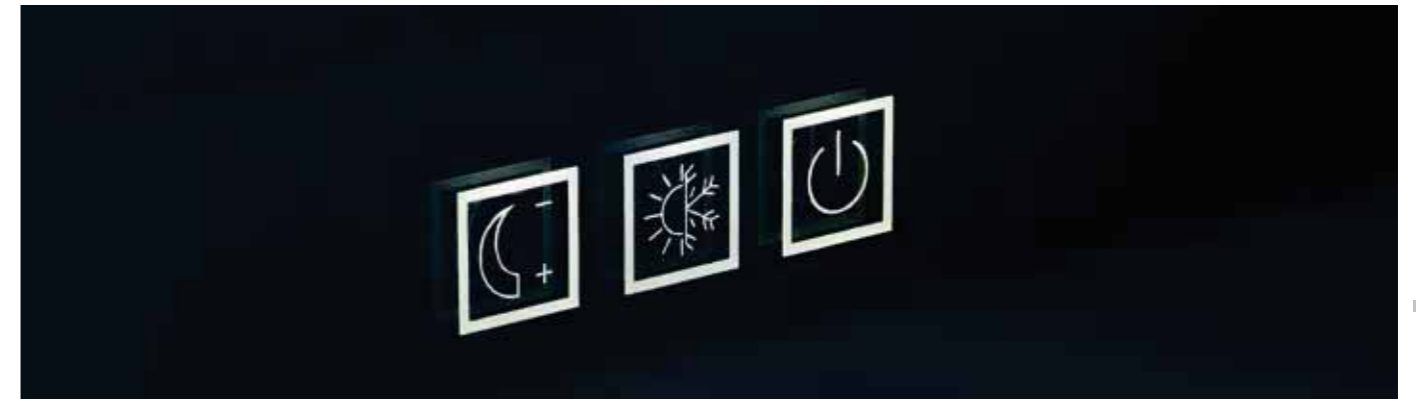
¹⁾ only surface mounted and recessed remote control;

²⁾ only one controller per transformer



Mirror light control

Flexible light control for bathroom, fitting room or shop



Touch sensor

- illuminated 3-way module for gluing behind the mirror
- by using the slide switch 3 functions are selectable:
- function 1: area 1 = on / off; area 2 = colour appearance; area 3 = brightness; when the motion sensor is connected it switches off after the set time
- function 2: area 1 = 3500 K; area 2 = 5000 K dimmed; area 3 = 2900 K; when the motion sensor is connected it switches to 3500 K after the set time
- function 3: area 1 = 3500 K; area 2 = 5000 K dimmed; area 3 = 2900 K; also without motion sensor the colour appearance changes to 3500 K after the set time

PIR sensor

- PIR motion sensor without twilight mode for a 20mm drill hole
- 4 preset times adjustable at the module transformer: 16 sec, 3 min, 10 min, 30 min

IR sensor

- for 14,5 mm drill holes or to glue with enclosed adhesive pad
- 2 functions are selectable by using the push-button at the housing:
- function 1: short approximation = brightness changes from 100 % to 66 % to 33 % to off; long approximation = colour appearance changes continuously; when the motion sensor is connected it switches off after the set time
- function 2: short approximation = colour appearance changes from 5000 K to 3500 K to 2700 K to off; long approximation = brightness changes continuously; when the motion sensor is connected it switches off after the set time



Connection: 24 V DC / for Dynamic luminaires with Dynamic plug

Other: • with memory function (after cut off from mains the last colour and brightness setting is recovered)

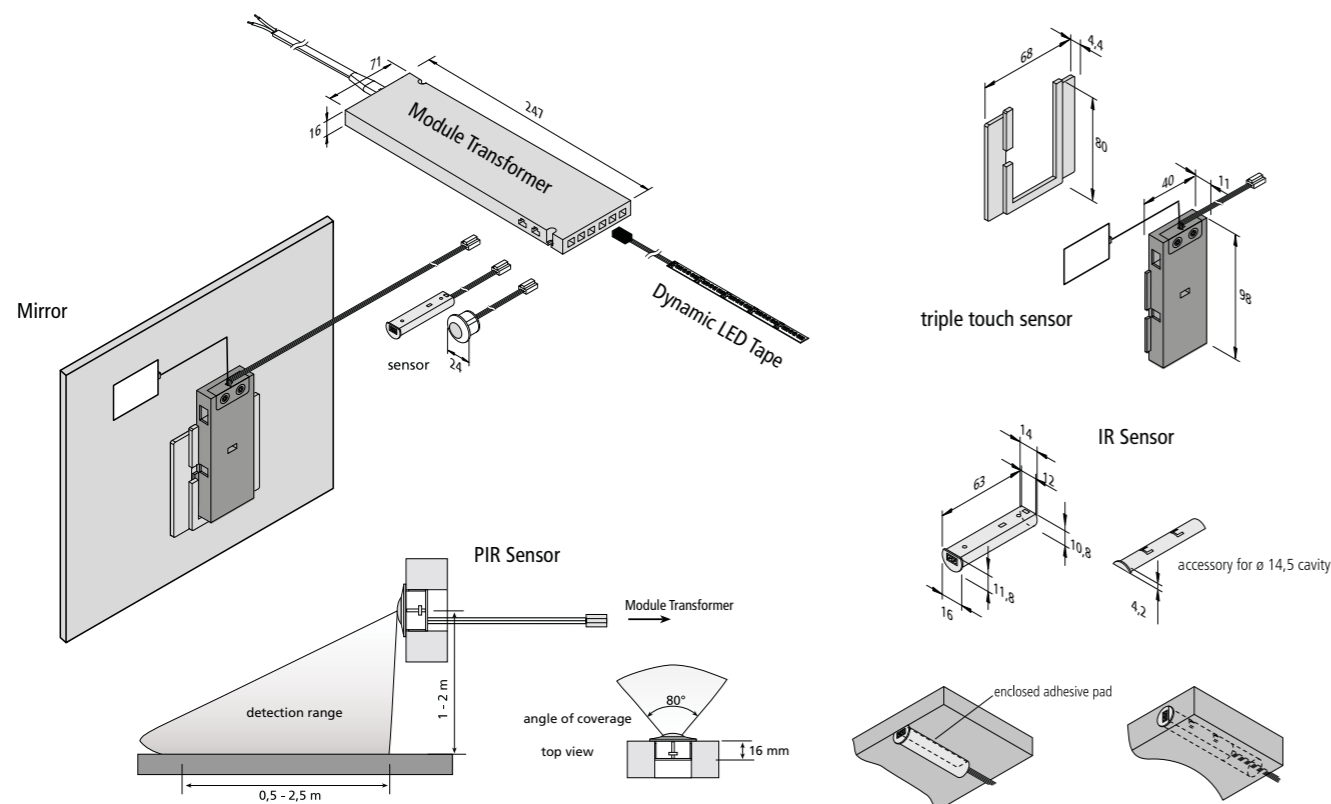


Illustration	Article No.	Description	Features	Weight approx.
	208 700 500 01	Mirror Touch Sensor with 3 areas	• connecting cable 1,5m with module-plug	48 g
	217 032 303 01	Mirror PIR Sensor white	• connecting cable 1,5m with module-plug	20 g
	217 032 205 01	Mirror IR Sensor white	• connecting cable 1,5m with module-plug	22 g
	615 003 024 01	Module Transformer 60W 24V	• mains cable 1m with ferrules • with integrated dynamic 6-way distributor	270 g

LED 350 accessories

Electronic safety transformers for LED luminaires 350 mA



LED 350/5 W

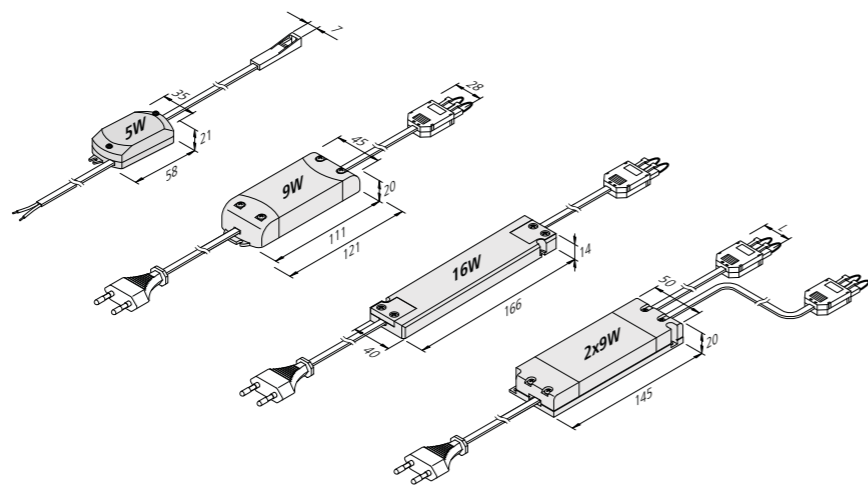
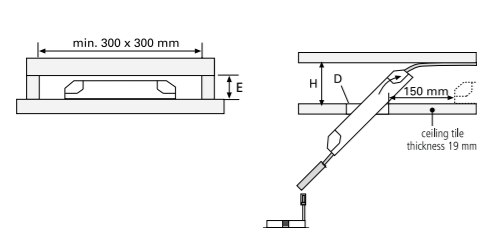


LED 350/2x9 W



Connection: 220 – 240 V / 50 – 60 Hz

- Other:**
- constant 350 mA / max. 56 V DC
 - protected against short-circuit, overload and no-load
 - max. permissible cable: **5 m** each



	5 W	9 W	16 W	2x9 W
Installation height (E)	21 mm	20 mm	16 mm	50 mm
Ceiling cavity (D)	False ceiling height (H)			
ø 45 mm	40 mm	-	-	-
ø 55 mm	35 mm	55 mm	125 mm	100 mm
ø 68 mm	30 mm	45 mm	85 mm	90 mm
ø 78 mm	22 mm	40 mm	70 mm	80 mm

Illustration	Article No.	Description	Features	Weight approx.
	215 250 610 01	LED 350 connecting cable 1m		12 g
	215 250 620 01	LED 350 connecting cable 2m		20 g
	215 080 503 04	LED 350 3-way distributor	• cable 200mm with LED 350 plug	25 g
	206 040 027 01	Transformer LED 350/5W with one socket	• mains cable 0,3m with ferrules (for easy ceiling suspension on 230V)	50 g
	615 003 022 03	Transformer LED 350/5W with 5-way distributor	• mains cable 2m with Euro plug • for up to 5 luminaires / 350mA = 1,0W • larger transformers 350mA page 260	57 g
	615 003 009 03	Transformer LED 350/9W 3-way distributor with Euro plug	• mains cable 2m with Euro plug	175 g
	615 003 009 04	Transformer LED 350/9W with 9-way distributor		190 g
	615 003 009 43	Transformer LED 350/16W with 3-way distributor	• mains cable 2m with Euro plug	200 g
	615 003 009 45	Transformer LED 350/16W with 5-way distributor		210 g
	615 003 009 23	Transformer LED 350/2x9W 2x3-way distributor + 2 short circuit plugs Euro	• mains cable 2m with Euro plug	220 g
	615 003 009 24	Transformer LED 350/2x9W 2x9-way distributor + 8 short circuit plugs Euro		250 g

LED 350 accessories

Dimmable safety transformers for LED luminaires 350 mA



LED 350/15 W DALI

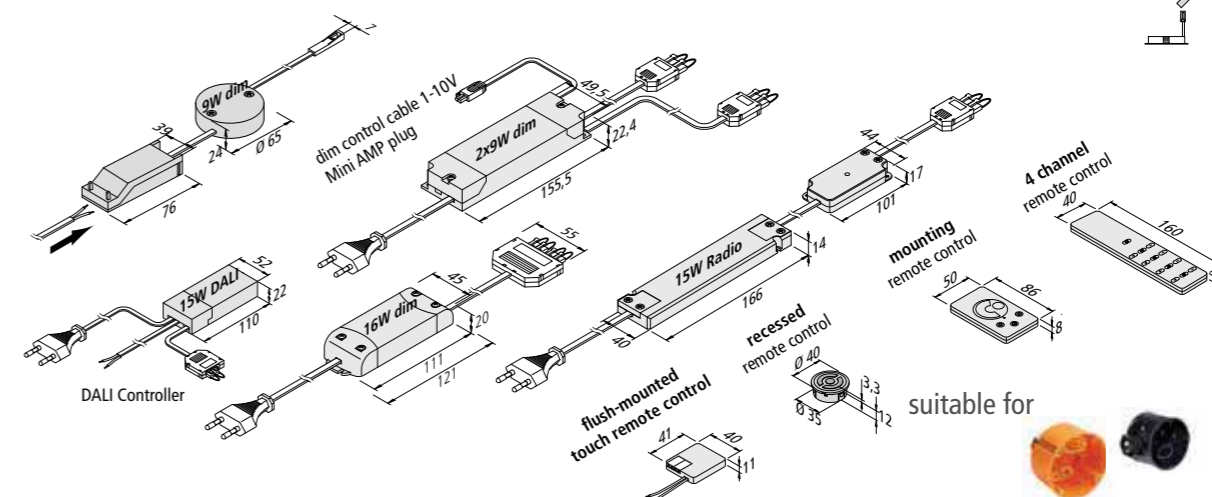


LED 350/15 W radio

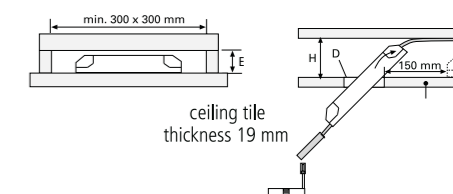


Connection: 220 – 240 V / 50 – 60 Hz

- Sonstiges:**
- constant 350 mA / max. 59 V DC
 - protected against short circuit, overload and no-load
 - max. permissible cable: **5 m** each
 - dim range: 10 – 100 %
 - dim range: 2 – 100 % (radio)
 - 4 channel remote control with master button and wall mounting, also combinable with 24 V and Dynamic controllers



	15 W DALI	15 W Funk	16 W dim	2x9 W dim
Installation height (E)	22 mm	18 mm	25 mm	50 mm
Ceiling cavity (D)	False ceiling height (H)			
ø 45 mm	-	-	-	-
ø 55 mm	-	125 mm	110 mm	100 mm
ø 68 mm	55 mm	85 mm	80 mm	90 mm
ø 78 mm	40 mm	70 mm	65 mm	80 mm



Article No.	Description	Features	Weight approx.
615 003 017 05	Transformer LED 350/15W DALI with 3-way distributor	• mains cable 2m with Euro plug • dim control cable 0.2m with ferrules	270 g
615 003 017 06	Transformer LED 350/15W radio with 3-way distributor	• incl. flush-mounted touch remote control to dim and switch	270 g
615 003 017 01	Transformer LED 350/15W radio with 3-way distributor	• incl. 4-channel remote control to dim and switch	315 g
615 003 017 02	Transformer LED 350/15W radio with 3-way distributor	• incl. surface mounted remote control to dim and switch	290 g
615 003 017 03	Transformer LED 350/15W radio with 3-way distributor	• incl. recessed remote control to dim and switch	265 g
615 003 017 04	Transformer LED 350/15W radio with 3-way distributor	• without remote control (only as an extension for controllers incl. remote control)	250 g
206 040 015 12	Transformer LED 350/ 9W dim with one socket	• incl. connection terminal for 230V with integrated through-wiring • minimum load: 1x SR 45 / SR68 (4,8W) / 1x Dim-2-Warm SR 68 / 5x LED Eye 1W • recommended phase dimmer: Sygonix 33594C or Jung 1730DD	240 g
615 003 009 50	Transformer LED 350/16W dim 5-way distributor + 4 short circuit plugs	• mains cable 2m with Euro plug, • 8W minimum load • recommended phase dimmer: Sygonix 33594C or Jung 1730DD	240 g
615 003 009 28	Transformer LED 350/2x9W dim 2x 3-way distributor (1-10V)	• mains cable 2m with Euro plug	280 g
615 003 009 29	Transformer LED 350/2x9W dim 2 x 9-way distributor (1-10V)	• dim control cable 0.2m with Mini-AMP plug • dim current < 1mA	310 g

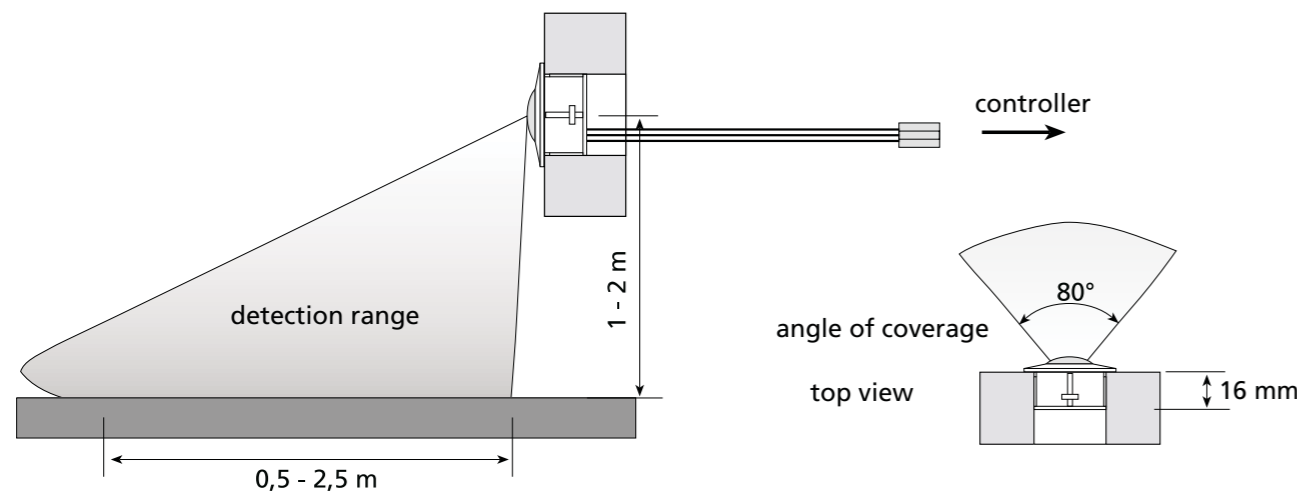
Motion sensor

Mini motion sensor **with** twilight mode



Connection: PIR 1: 100 – 240 V / 50 – 60 Hz // PIR 2: 24 V DC

- Other:**
- adjustable follow-up time: 10 sec to 3 min.
 - the detector only responds to movement if the brightness falls below approx. 80 lux
 - PIR 1: to be connected on primary side between transformer and socket
 - PIR 2: to be connected on secondary side between LED 24 V transformer and LED 24 V luminaire (max. 60 W)
 - PIR 3: to be connected on secondary side between LED 24 V luminaire and LED 24 V transformer (max. 120 W). Up to 4 sensor heads can be programmed to ONE motion detector. Per sensor head up to 3 motion detectors can be used.



Motion sensor

Mini motion sensor **with** twilight mode

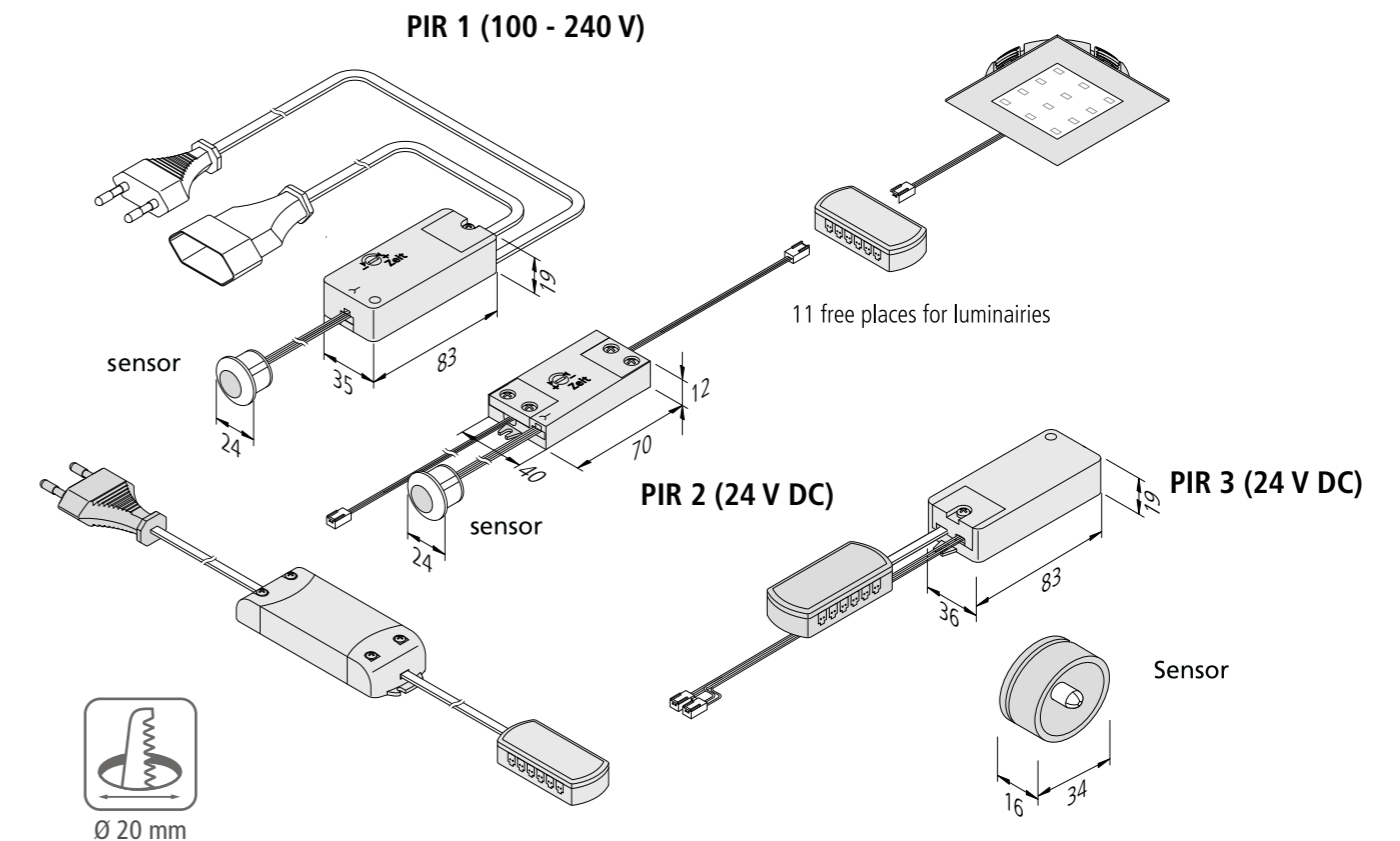


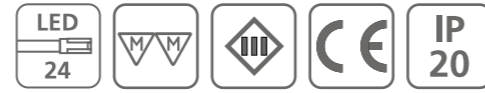
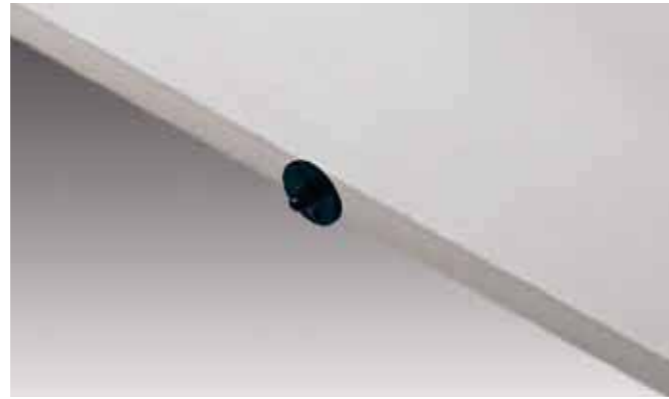
Illustration	Article No.	Description	Features	Weight approx.
	217 032 301 01	Mini Motion Sensor PIR 1	<ul style="list-style-type: none"> • 2m Euro plug / 0,15m Euro coupling / sensor 1,4m • protection class 2 	170 g
	217 032 302 01	Mini Motion Sensor PIR 2	<ul style="list-style-type: none"> • 0,2m LED 24 plug / 0,2m with 11-way distributor / sensor 1,4m • protection class 3 	70 g
	615 000 510 11	Mini Motion Sensor PIR 3	<ul style="list-style-type: none"> • 0,2m LED 24-plug / 0,2m with 12-way distributor/ • incl. sensor head matt chrome with battery • protection class 3 	70 g
	208 700 700 11	Radio sensor head PIR 3 matt chrome	<ul style="list-style-type: none"> • only as extension to mini motion sensor PIR 3 • with clip holder for screwing or gluing • incl. battery 	12 g

SEM

Mini recessed switch 24 V

Door contact switch

Door contact switch 24 V



Connection: LED transformer DC 24 V
Other: • output: max. 60 W

Connection: LED transformer DC 24 V
Other: • output: max. 24 W
 • for 16 mm panel thickness

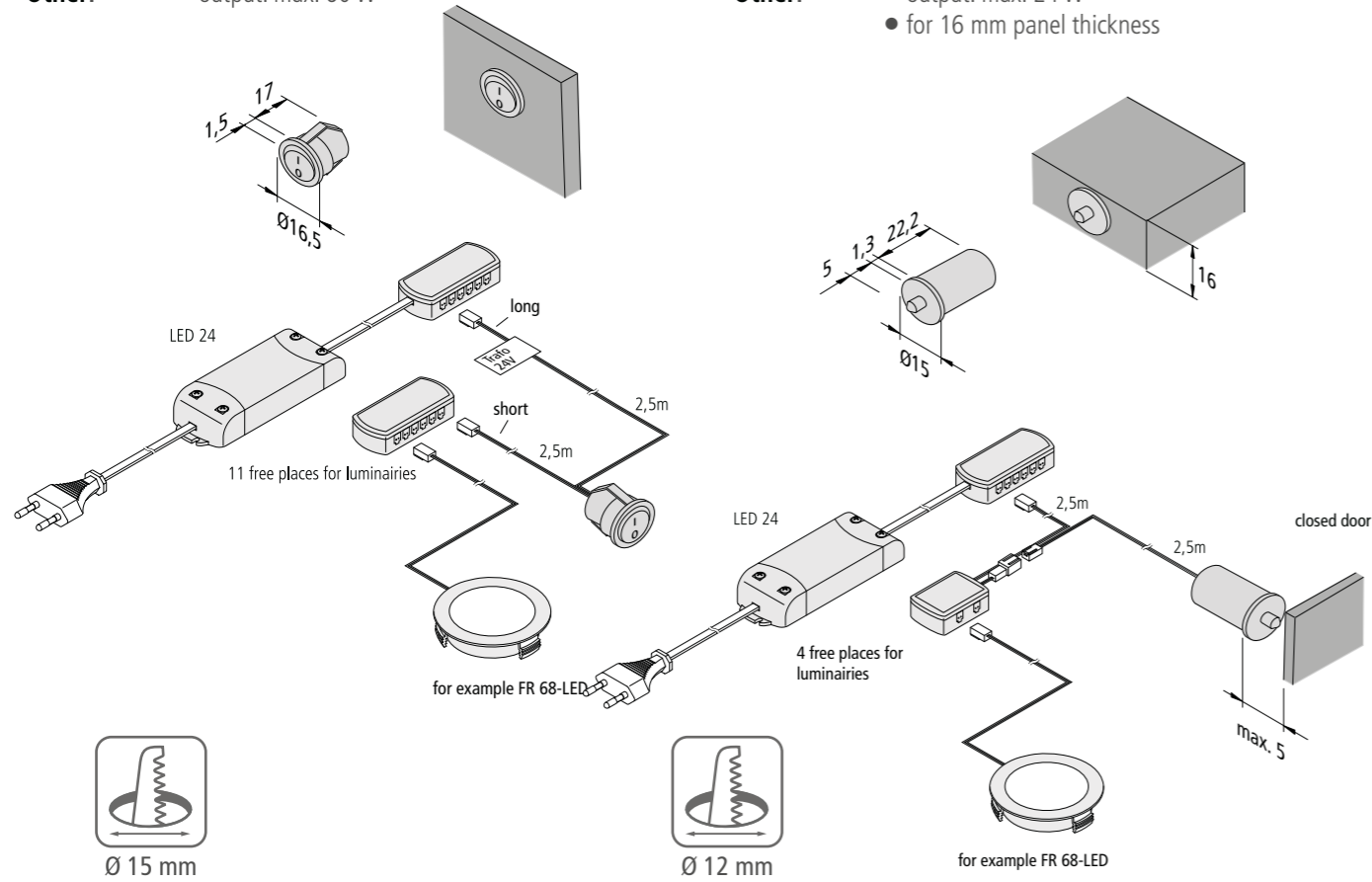
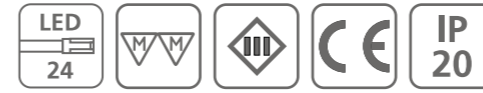


Illustration	Article No.	Description	Features	Weight approx.
	615 000 517 01	Recessed switch SEM round black	<ul style="list-style-type: none"> printed with 0+I supply cable 2,5m with LED 24 plug switching cable 2,5m with 11-way distributor LED 24 	270 g
	615 000 501 11	Door contact switch SET black	<ul style="list-style-type: none"> supply cable 2,5m with LED 24 plug switch cable 2,5m with 4-way distributor LED 24 max. 24W 	60 g

IR Switch I24

Door Contact Switch for Milled Profile I24



Connection: 24 V DC
Other: • output: max. 48 W
 • including „Soft Off“
 • distance between center of the luminaire and the inside of the door should be 10 to 15 cm (depending on the surface)
 • for selection in the configurator

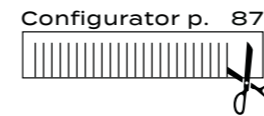
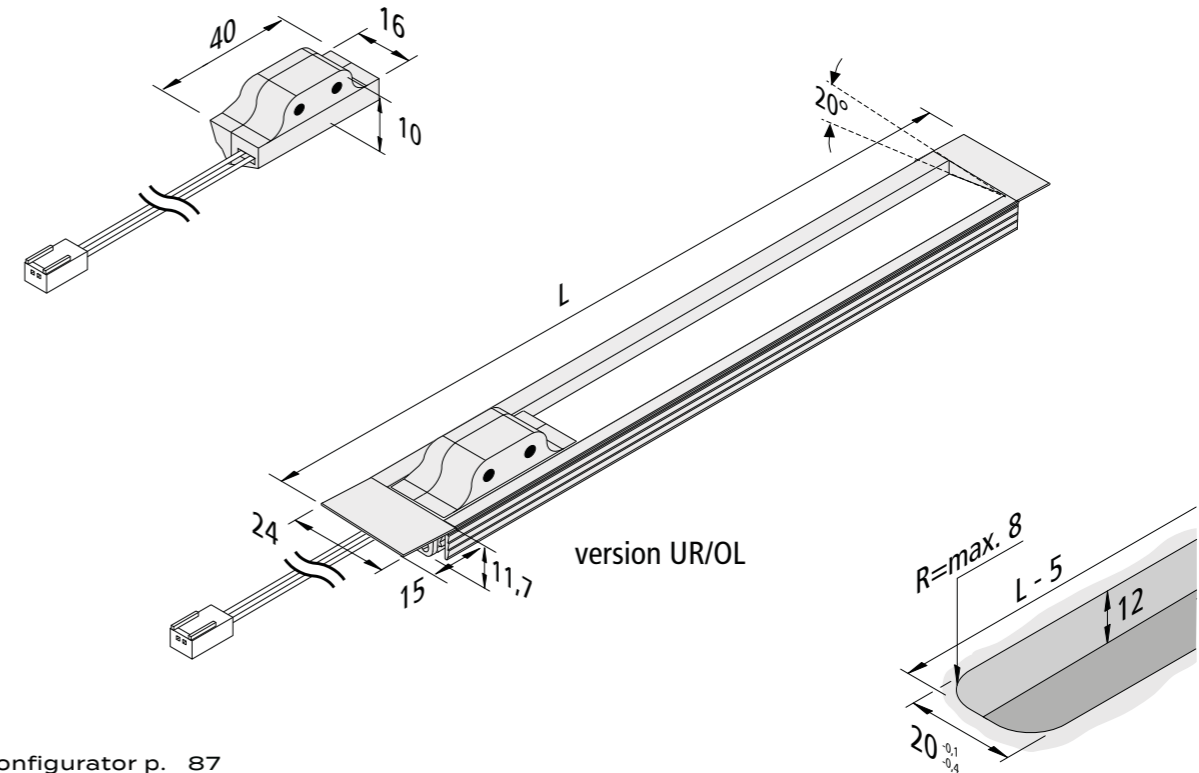


Illustration	Article No.	Description	Features	Weight approx.
	217 032 205 03	IR-Switch I24 BR/TL black	<ul style="list-style-type: none"> connecting cable 2,5m with LED 24 plug version Bottom Right or Top Left max. 48W 	30 g
	217 032 205 08	IR-Switch I24 BR/TL stainless steel	<ul style="list-style-type: none"> connecting cable 2,5m with LED 24 plug version Bottom Left or Top Right max. 48W 	30 g
	217 032 205 13	IR-Switch I24 BL/TR black	<ul style="list-style-type: none"> connecting cable 2,5m with LED 24 plug version Bottom Left or Top Right max. 48W 	30 g
	217 032 205 18	IR-Switch I24 BL/TR stainless steel	<ul style="list-style-type: none"> connecting cable 2,5m with LED 24 plug version Bottom Left or Top Right max. 48W 	30 g

IR-Switch / Dimmer 24V

Motion-activated switch / dimmer for 24 V LED



Connection: LED transformer DC 24 V

- Other:**
- motion operates switch or motion of door operates switch
 - function 1 (as supplied): the first time the switch senses motion it turns on the light, and the second time it turns it off again
 - function 2 (short keystroke, see drawing): opening the door automatically switches the light on – and closing the door switches it off again (combination of several IR switches possible, e.g. for a wide sliding door)
 - the brightness which is adjusted in function 1 will be retained after changing into function 2
 - the connected LED luminaire is dimmable if the human hand or an object remains inside the detection range of the IR sensor (only in function 1).
 - suitable for switching LED luminaires 24 V
 - for 14,5 mm drill hole or to stick on with enclosed adhesive pad
 - distance between the closed door and IR sensor should be up to 50 mm (depending on surface)
 - a keystroke of approx. 6 sec. deactivates or activates the dim and memory function

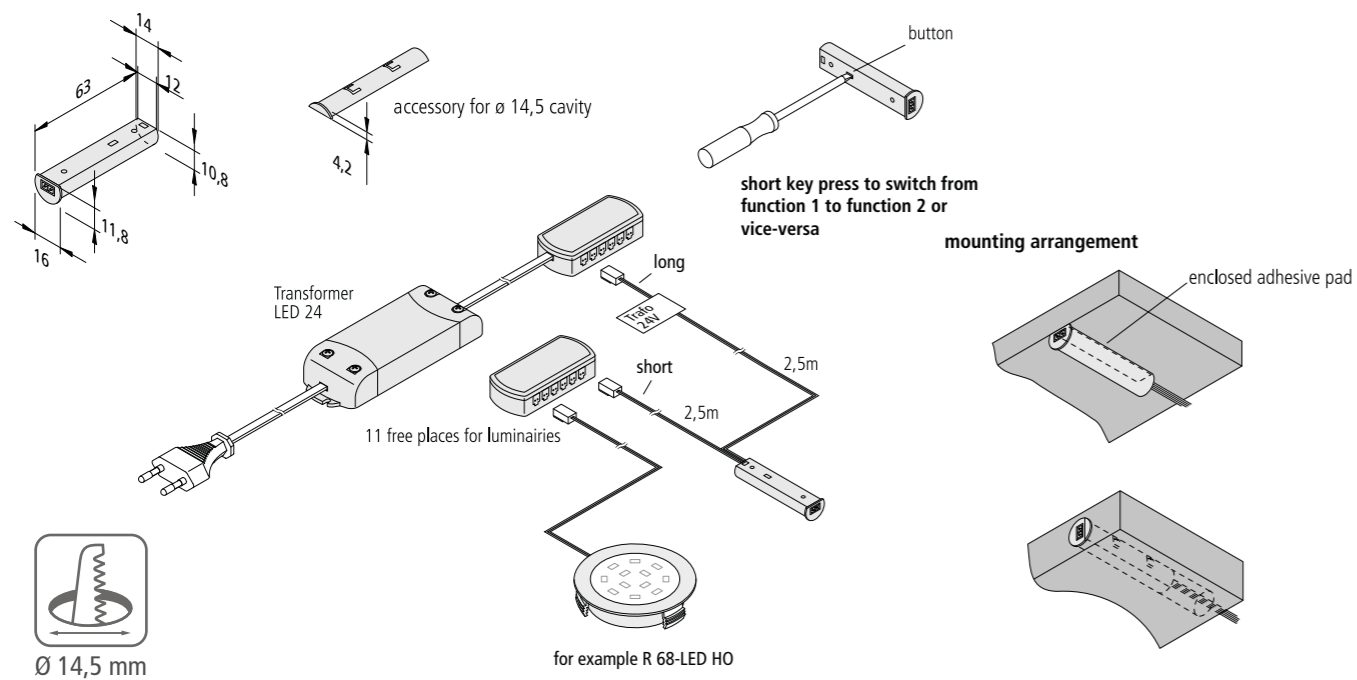


Illustration	Article No.	Description	Features	Weight approx.
	217 032 201 01	IR-Dimmer 24V max. 48W white	<ul style="list-style-type: none"> • supply cable 2,5m with LED 24 plug • sensor cable 2,5m with 11-way distributor LED 24 	75 g
	217 032 201 03	IR-Dimmer 24V max. 48W black		75 g

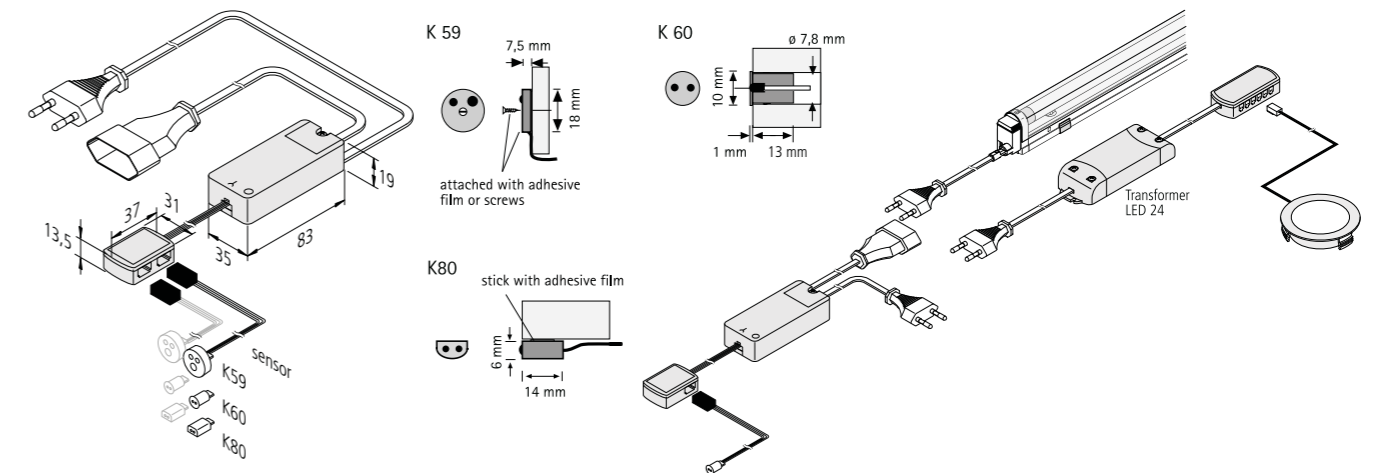
IR-S / IR-DS

Motion-activated switch with different sensor heads



Connection: 220 – 240 V / 50 – 60 Hz

- Other:**
- motion operates switch or motion of door operates switch
 - IR-DS: opening the door switches the light on and closing the door switches it off again
 - IR-S: the first time the switch senses motion it turns the light on, and the second time it turns it off again
 - IR-S with memory function (after cut off from mains the last switching status is recovered)
 - suitable for switching LED transformers max. 250 W or SlimLite® lighting rows up to 3 luminaires
 - distance between sensor and the inside of the door should be 4 up to 50 mm (depending on the surface)



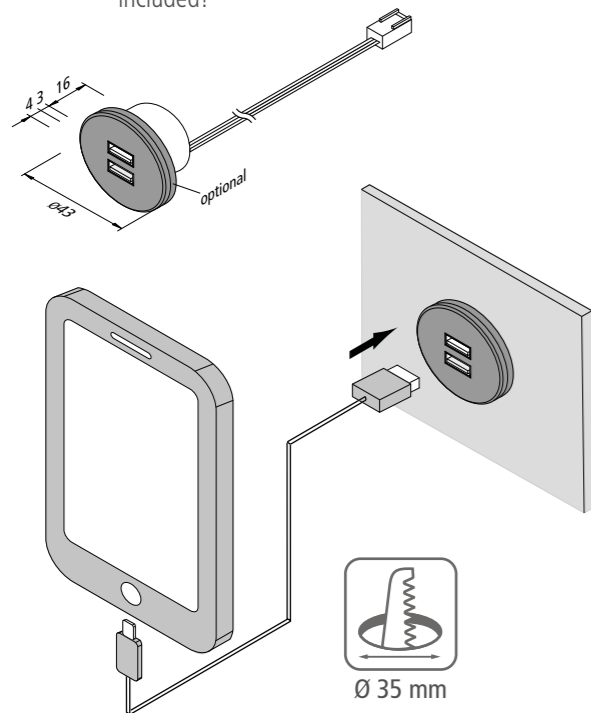
Article No.	Description	Features	Weight approx.
506 120 601 11	IR-S with sensor K 59 Euro	<ul style="list-style-type: none"> • motion-activated switch operation • 2m Euro plug / 0,3m Euro coupling / sensor 3m 	187 g
506 120 602 11	IR-S with sensor K 60 Euro		187 g
506 120 603 11	IR-S with sensor K 80 Euro		187 g
506 120 601 12	IR-S with sensor K 59 AE	<ul style="list-style-type: none"> • motion-activated switch operation • 2m with ferrules / 0,3m with ferrules / sensor 3m 	177 g
506 120 602 12	IR-S with sensor K 60 AE		177 g
506 120 603 12	IR-S with sensor K 80 AE		177 g
506 120 802 41	IR-DS with sensor K 60 Euro	<ul style="list-style-type: none"> • motion-activated switch activated by opening the door • 3m Euro plug / 0,3m Euro coupling / sensor 3m 	187 g
506 120 801 11	IR-DS with sensor K 59 Euro		187 g
506 120 803 21	IR-DS with sensor K 80 Euro		187 g
506 120 901 11	IR-DS2 with 2 sensors K 59 Euro	<ul style="list-style-type: none"> • motion-activated switch activated by opening the door • 3m Euro plug / 0,3m Euro coupling / sensor 3m 	210 g
506 120 902 21	IR-DS2 with 2 sensors K 60 Euro		210 g
506 120 903 11	IR-DS2 with 2 sensors K 80 Euro		210 g
506 120 801 12	IR-DS with sensor K 59 AE	<ul style="list-style-type: none"> • motion-activated switch activated by opening the door • 3m with ferrules / 0,3m with ferrules / sensor 3m 	190 g
506 120 802 42	IR-DS with sensor K 60 AE		190 g
506 120 803 22	IR-DS with sensor K 80 AE		190 g

USB Double Socket

Furniture USB socket for 24 V transformer



- Connection:** 24 V DC
- Other:**
- USB double socket with 5 V DC max. 1 x 2,1 A resp. 2 x 1,05 A
 - the LED transformer must have a free wattage of 15 W
 - 3 mm adapter ring for 16 mm installation depth included!

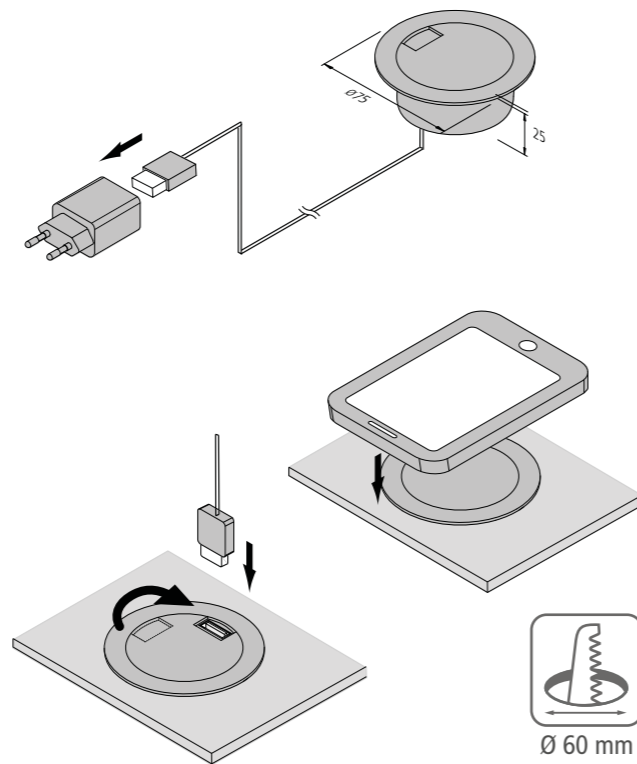


Qi Fast-Charger

Wireless charging



- Connection:** 220 – 240 V / 50 – 60 Hz
- Other:**
- for Qi certified Smartphone or tablet
 - additional USB socket with 5 V DC max. 2 A
 - incl. fast charging power adapter 9 V / 10 W

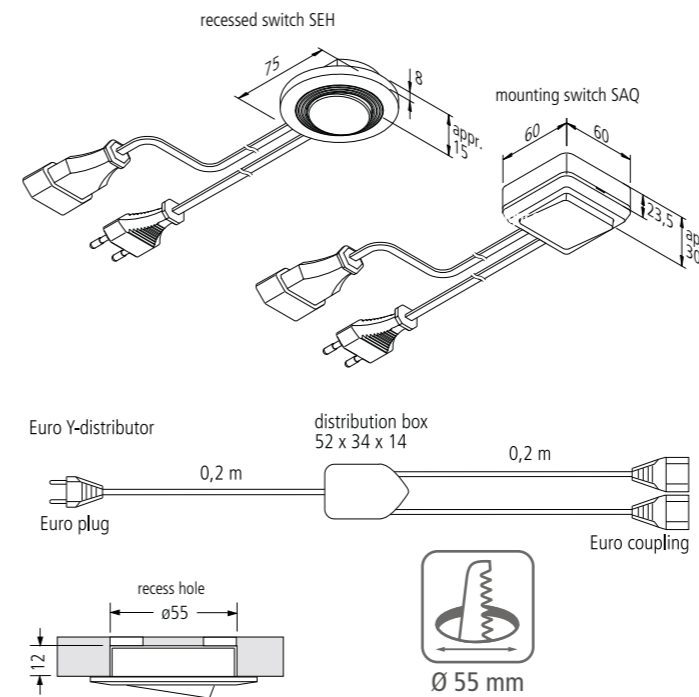


SEH / SAQ

Rocker switch with Euro coupling



- Connection:** 220 – 240 V / 50 – 60 Hz
- Other:**
- current carrying capacity max. 2,5 A
 - variants recessed or surface mounted switch



LUXOR

Double socket for corner mounting



- Connection:** 220 - 240V / 50 - 60Hz
- Other:**
- sophisticated design
 - can be mounted in any corner of the kitchen, bathroom, living room or bedroom
 - double outlet version

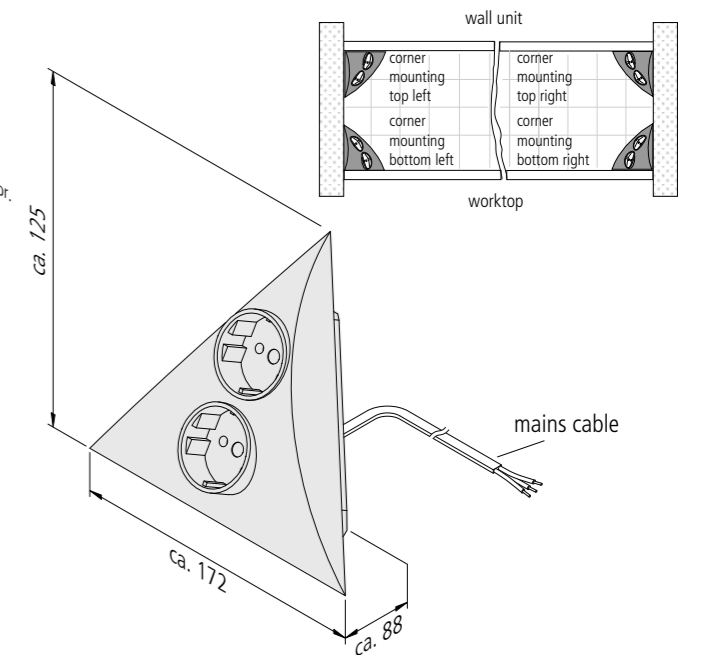




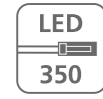







Illustration	Article No.	Description	Features	Weight approx.
	217 001 010 08	USB double socket 24V white 15W	• supply cable 2,5m with LED 24 plug	50 g
	217 001 010 01	USB double socket 24V stainless steel 15W		50 g
	217 001 010 03	USB double socket 24V black 15W		50 g
	615 000 520 03	Qi Fast-Charger 75mm black	• supply cable 1,2m with USB plug • incl. fast charging power supply unit	120 g
Accessories	LED transformers 24V from page 248			




Abbildung	Article No.	Description	Features	Weight approx.
	515 000 601 02	Recessed switch SEH round	• 2m Euro plug / 2m Euro coupling • white	250 g
	217 031 810 05	Surface mounted switch SAQ square	• 2m Euro plug / 2m Euro coupling • white	260 g
	215 031 601 01	Euro Y distributor with one plug and 2 sockets	• 200mm cable + Euro plug / 2x 200mm +Euro coupling	100 g
	506 602 170 01	Luxor 2ST matt chrome	• 1,8m mains cable with ferrules	390 g
	506 602 110 03	Luxor 2ST stainless steel look		390 g



Pictograms for luminaire types and applications

 Plug-in system for RGB-LED luminaires 24 V DC	 2-pole plug-in system for 230 V luminaires
 Plug-in system for Dynamic LED luminaires 24 V DC	 beam angle 110°
 Plug-in system for Power-LED luminaires with 350 mA	 recommended spacing among each other in kitchens 45-70cm
 Plug-in system for LED luminaires 24 V DC	 light distribution curve
 Plug-in system for 1-10 V dim control cables	 drill diameter required for installation

Safety class symbols

-  Safety class I Protective earthing, protective conductor on the housing of the equipment
-  Safety class II Protective insulation
-  Safety class III Protective low voltage, < 50 V, for luminaires and transformers for luminaires

Type of protection

The marking of the protection class consists of the letters IP followed by two digits. The first digit stands for: protection of persons against contact or proximity to active parts as well as against contact with moving parts inside the casing and protection of the device against ingress by foreign bodies. The second digit stands for: Protection of the equipment within the casing against harmful ingress of water.


1st digit

- 0 no special protection
- 1 protected against solid objects larger than 50 mm (back of the hand)
- 2 protected against solid objects larger than 12 mm (finger)
- 3 protected against solid objects larger than 2.5 mm (tools)
- 4 protected against solid objects larger than 1 mm (wire)
- 5 dust-protected
- 6 dust-tight

2nd digit

- 0 no special protection
- 1 protected against drips (vertical)
- 2 protected against drips (less than 15°)
- 3 protected against spraying (less than 60°)
- 4 protected against splashes (from any direction)
- 5 protected against jetting
- 6 protected against strong jetting
- 7 protected against the consequences of immersion (30 minutes at a depth of up to 1 m)
- 8 protected against submersion (longer/deeper than 7 as agreed between manufacturer and user)

Pictograms for installation

-  MM - This symbol applies to luminaires with discharge lamps and luminaires for incandescent lamps for installation in and on furnishings (furniture). It indicates that these luminaires may be attached in the specified manner to furnishings made of non-flammable, flame-retardant or normal flammable building materials according to DIN 4102, even if they are coated, varnished or veneered, but also to materials with an unknown fire response.

INDEX BY ARTICLE NUMBER

Article No	Product	Page	Article No	Product	Page	Article No	Product	Page	Article No	Product	Page	Article No	Product	Page	Article No	Product	Page	Article No	Product	Page	Article No	Product	Page
202 010 166 02	Milled frame S	185	202 024 501 02	LED Premium-Ta	67	202 025 834 01	Dynamic LED Mo	221	202 029 302 04	LED Evo-Stick	103	202 031 201 04	LED Tape COB-1	59	205 010 212 06	Mounting ring	155	215 300 610 01	LED 24 connect	250	218 041 101 03	SPS Mini power	31
202 010 166 12	Mounting frame	185	202 024 501 03	LED Premium-Ta	67	202 025 834 02	Dynamic LED Mo	221	202 029 302 05	LED Evo-Stick	103	202 031 480 02	FAR 58-LED 3W	149	205 010 212 08	Mounting ring	155	215 300 625 01	LED 24 connect	250	218 041 102 03	SPS Mini power	31
202 021 001 03	FM 1-LED 5x1,0	35	202 024 502 02	LED Premium-Ta	67	202 025 834 03	Dynamic LED Mo	221	202 029 410 01	Eco HV SR 68-L	173	202 031 480 03	FAR 58-LED 3W	149	205 010 218 03	Mounting ring	155	215 440 220 02	HVLCs 42/2000	131	218 041 103 03	SPS Mini power	31
202 021 011 03	FM 2-LED 5x1,5	35	202 024 502 03	LED Premium-Ta	67	202 026 013 01	Dynamic LED Ta	51	202 029 460 01	Eco HV SR 68-L	173	202 031 580 02	FAQ 58-LED 3W					215 440 320 01	HVLCs 43/2000	131			
202 021 220 01	LED Stick 2 70	93	202 024 503 02	LED Premium-Ta	67	202 026 302 32	LED Basic-Tape	75	202 029 501 01	Dynamic LED Ta	49	202 031 580 03	FAQ 58-LED 3W					206 040 011 01	Transformer LE	248	215 440 601 01	HVLCs 46/ 150	131
202 021 220 02	LED Stick 2 70	93	202 024 503 03	LED Premium-Ta	67	202 026 302 33	LED Basic-Tape	75	202 029 601 02	LED Eco-Tape 5	73	202 031 600 08	Dynamic FAR 58	145	206 040 011 01	Transformer LE	248	206 040 012 01	Transformer LE	248	215 440 605 01	HVLCs 46/ 500	131
202 021 220 04	LED Stick 2 70	93	202 024 602 01	AR 45-LED 3W w	141	202 026 302 34	LED Basic-Tape	75	202 029 601 03	LED Eco-Tape 5	73	202 031 650 08	Dynamic FAQ 58				206 040 012 22	Transformer LE	248	215 440 610 01	HVLCs 46/1000	131	
202 021 220 05	LED Stick 2 70	93	202 024 603 01	AR 45-LED 3W n	141	202 026 401 02	LED Power-Stic	101	202 029 602 02	LED Eco-Tape 5	73	202 031 730 02	FAR 68-LED 4W	159	206 040 015 12	Transformer LE	261	206 040 015 12	Transformer LE	261	215 440 615 01	HVLCs 46/1500	131
202 021 222 01	LED Stick 2 20	93	202 024 801 02	LED Basic-Tape	69	202 026 401 03	LED Power-Stic	101	202 029 602 03	LED Eco-Tape 5	73	202 031 780 02	FAR 68-LED 4W	159	206 040 019 01	Transformer LE	248	206 040 019 01	Transformer LE	248	215 440 620 01	HVLCs 46/2000	131
202 021 222 02	LED Stick 2 20	93	202 024 801 03	LED Basic-Tape	69	202 026 402 02	LED Power-Stic	101	202 029 611 02	LED Eco-Tape 5	73	202 031 780 03	FAR 68-LED 4W	159	206 040 019 04	Transformer LE	29	206 040 019 04	Transformer LE	29	215 441 120 01	HVLCs V/2000 6	131
202 021 222 04	LED Stick 2 20	93	202 024 802 01	LED Basic-Tape	69	202 026 402 03	LED Power-Stic	101	202 029 611 03	LED Eco-Tape 5	73	202 031 780 04	FAR 68-LED 4W	159	206 040 023 01	Transformer LE	248	206 040 023 01	Transformer LE	248	215 441 300 01	HVLCs Y-distrib	131
202 021 222 05	LED Stick 2 20	93	202 024 802 02	LED Basic-Tape	69	202 026 402 12	LED Power-Stic	101	202 029 611 04	LED Eco-Tape 5	73	202 031 880 02	FAQ 68-LED 4W				206 040 024 11	Transformer LE	248	215 441 400 01	HVLCs T-adapto	131	
202 021 223 01	LED Stick 2 30	93	202 024 802 03	LED Basic-Tape	69	202 026 402 13	LED Power-Stic	101	202 029 612 02	LED Eco-Tape 5	73	202 031 880 03	FAQ 68-LED 4W				206 040 024 12	Transformer LE	248	215 441 500 01	HVLCs H wood f	131	
202 021 223 02	LED Stick 2 30	93	202 024 802 04	LED Basic-Tape	69	202 026 501 00	LED RGB Tape 5	45	202 029 612 03	LED Eco-Tape 5	73	202 031 880 04	FAQ 68-LED 4W				206 040 026 05	Transformer LE	248	206 040 026 05	Transformer LE	248	
202 021 223 04	LED Stick 2 30	93	202 024 802 05	LED Basic-Tape	69	202 026 502 00	LED RGB Tape 5	45	202 029 612 04	LED Eco-Tape 5	73	202 031 900 03	Dynamic FAR 68	153	206 040 027 01	Transformer LE	260	206 040 027 01	Transformer LE	260	215 450 125 02	PS Mini feeder	25
202 021 223 05	LED Stick 2 30	93	202 024 802 10	LED Basic-Tape	71	202 026 503 00	LED RGB Tape 5	45	202 029 621 01	LED Eco-Tape 5	73	202 031 900 08	Dynamic FAR 68	153	206 040 030 02	Transformer LE	248	206 040 030 02	Transformer LE	248	215 450 301 02	PS Mini adapte	25
202 021 223 21	LED Stick 2 30	93	202 024 803 02	LED Basic-Tape	69	202 026 603 02	LED Sky 6W wvw	235	202 029 621 02	LED Eco-Tape 5	73	202 031 950 03	Dynamic FAQ 68	153	206 040 031 01	Transformer LE	248	206 040 031 01	Transformer LE	248	217 001 010 01	USB double soc	268
202 021 223 22	LED Stick 2 30	93	202 024 803 03	LED Basic-Tape	69	202 026 603 03	LED Sky 6W nw	235	202 029 621 03	LED Eco-Tape 5	73	202 031 950 08	Dynamic FAQ 68	153	206 040 033 01	Transformer LE	248	206 040 033 01	Transformer LE	248	217 001 010 03	USB double soc	268
202 021 223 25	LED Stick 2 30	93	202 024 803 04	LED Basic-Tape	69	202 026 608 02	LED Sky 6W wvw	235	202 029 621 04	LED Eco-Tape 5	73	202 032 001 03	LED Tape L 10°	61	206 040 038 01	Transformer LE	248	206 040 038 01	Transformer LE	248	217 001 010 08	USB double soc	268
202 021 232 01	LED Twin-Stick	97	202 024 804 02	LED Basic-Tape	69	202 026 608 03	LED Sky 6W nw	235	202 029 621 05	LED Eco-Tape 5	73	202 032 101 02	LED Tape COB-4	57	206 040 040 01	Transformer LE	248	206 040 040 01	Transformer LE	248	217 031 810 05	Surface mounte	269
202 021 232 02	LED Twin-Stick	97	202 024 804 03	LED Basic-Tape	69	202 026 811 00	LED RGBW Tape	43	202 029 631 02	LED Eco-Tape 5	73	202 032 101 03	LED Tape COB-4	57	206 040 042 01	Transformer LE	248	206 040 042 01	Transformer LE	248	217 032 201 01	IR-Dimmer 24V	266
202 021 232 05	LED Twin-Stick	97	202 024 805 02	LED Basic-Tape	69	202 027 201 01	LED Wall F 1,8	137	202 029 631 03	LED Eco-Tape 5	73	202 032 101 04	LED Tape COB-4	57				208 050 020 51	Flush-mounted	255	217 032 201 01	IR-Dimmer 24V	266
202 021 233 01	LED Twin-Stick	97	202 024 805 03	LED Basic-Tape	69	202 027 201 08	LED Wall F 1,8	137	202 029 631 04	LED Eco-Tape 5	73	202 032 330 02	AR 68-LED 4W w	157				208 050 020 51	Flush-mounted	257	217 032 205 01	Mirror IR Sens	259
202 021 233 02	LED Twin-Stick	97	202 025 302 01	AR 35-LED 2,5W	141	202 027 202 01	LED Wall F 0,9	137	202 029 801 02	LED EcoLite F	125	202 032 330 03	AR 68-LED 4W n	157				208 050 030 01	24V Dim-Contro	257	217 032 205 03	IR-Switch I24	265
202 021 233 05	LED Twin-Stick	97	202 025 303 01	AR 35-LED 2,5W	141	202 027 202 08	LED Wall F 0,9	137	202 029 801 03	LED EcoLite F	125	202 032 330 04	AR 68-LED 4W x	157				208 050 030 02	24V Dim-Contro	257	217 032 205 08	IR-Switch I24	265
202 021 233 11	LED Twin-Stick	97	202 025 603 01	LED Track Poin	209	202 027 211 01	LED Wall Up &	137	202 029 802 02	LED EcoLite F	125	202 032 380 02	AR 68-LED 4W w	157				208 050 030 06	24V Dim-Contro	257	217 032 205 13	IR-Switch I24	265
202 021 233 12	LED Twin-Stick	97	202 025 603 02	LED Track Poin	209	202 027 211 08	LED Wall Up &	137	202 029 802 03	LED EcoLite F	125	202 032 380 03	AR 68-LED 4W n	157				208 050 030 12	24V Dynamic-Co	255	217 032 205 18	IR-Switch I24	265
202 021 233 15	LED Twin-Stick	97	202 025 603 03	LED Track Poin	209	202 027 221 01	LED Wall Down	137	202 029 803 02	LED EcoLite F	125	202 032 380 04	AR 68-LED 4W x	157				208 050 030 15	24V Dynamic-Co	255	217 032 301 01	Mini Motion Se	263
202 021 240 01	Dynamic FR 215	177	202 025 607 01	LED Track Poin	209	202 027 221 08	LED Wall Down	137	202 029 803 03	LED EcoLite F	125	202 032 601 02	LED EcoLite F	125				208 050 030 22	24V RGB-Contro	253	217 032 301 01	Mini Motion Se	263
202 021 242 02	LED Stick F 20	91	202 025 607 02	LED Track Poin	209	202 027 301 08	Dynamic LED Sk	233	202 029 804 02	LED EcoLite F	125	202 032 601 03	LED EcoLite F	125				208 050 030 22	24V RGB-Contro	253	217 032 302 01	Mini Motion Se	263
202 021 242 03	LED Stick F 20	91	202 025 607 03	LED Track Poin	209	202 027 302 03	Dynamic LED Sk	233	202 029 804 03	LED EcoLite F	125	202 032 602 02	LED EcoLite F	125				208 050 030 41	24V Dim-Contro	257	217 032 303 01	Mirror PIR Sen	259
202 021 243 02	LED Stick F 30	91	202 025 701 02	SR 45-LED 4,8W	143	202 027 401 02	LED Tape F 5m	63	202 029 805 02	LED EcoLite F	125	202 032 602 03	LED EcoLite F	125				208 050 050 01	24V Dim-Contro	257	217 032 303 01	Mirror PIR Sen	259
202 021 243 03	LED Stick F 30	91	202 025 701 03	SR 45-LED 4,8W	143	202 027 401 03	LED Tape F 5m	63	202 029 805 03	LED EcoLite F	125	202 032 603 02	LED EcoLite F	125				208 050 050 11	24V Dynamic-Co	255	217 032 501 01	Wall switch Di	257
202 021 243 12	LED Stick F 30	91	202 025 708 02	SR 45-LED 4,8W	143	202 027 401 04	LED Tape F 5m	63	202 029 901 02	LED Zoom 1,0W	207	202 032 603 03	LED EcoLite F	125				208 050 050 21	Control Panel	185	217 032 601 01	Wall switch Dy	255
202 021 243 13	LED Stick F 30	91	202 025 708 03	SR 45-LED 4,8W	143	202 027 501 01	Dynamic SR 68-	169	202 029 901 03	LED Zoom 1,0W	207	202 032 604 02	LED EcoLite F	125				208 700 500 01	Mirror Touch S	259	218 000 101 03	LED Track 300m	29
202 023 901 01	LED Power-Stic	99	202 025 800 02	LED ModuLite F	223	202 027 501 06	Dynamic SR 68-	169	202 029 903 02	LED Zoom 1,0W	207	202 032 604 03	LED EcoLite F	125				208 700 700 11	Radio sensor h	263	218 000 101 07	LED Track 300m	29
202 023 901 02	LED Power-Stic	99	202 025 800 03	LED ModuLite F	223	202 027 501 08	Dynamic SR 68-	169	202 029 903 03	LED Zoom 1,0W	207	202 032 605 02	LED EcoLite F	125							218 000 102 03	LED Track 600m	29
202 023 901 03	LED Power-Stic	99	202 025 801 02	LED ModuLite F	223	202 027 801 02	LED Mono Spot	195	202 030 030 01	LED Glass Clip	215	202 032 605 03	LED EcoLite F	125							218 000 102 07	LED Track 600m	29
202 023 901 04	LED Power-Stic	99	202 025 801 03	LED ModuLite F	223	202 027 801 03	LED Mono Spot	195	202 030 030 02	LED Glass Clip	215	202 040 103 42	CS CE mounting	131							218 000 103 03	LED Track 1000	29
202 023 902 01	LED Power-Stic	99	202 025 801 12	LED ModuLite F	223	202 027 803 02	LED Mono Spot	195	202 030 080 01	LED Glass Clip	215	202 040 103 43	CS CW mounting	131							218 000 103 07	LED Track 1000	29
202 023 902 02	LED Power-Stic	99	202 025 801 13	LED ModuLite F	223	202 027 803 03	LED Mono Spot	195	202 030 080 02	LED Glass Clip	215	202 040 103 46	CS CM mounting	131							218 000 201 03	LED Track Feed	29
202 023 902 03	LED Power-Stic	99	202 025 801 32	LED ModuLite F	223	202 027 821 02	LED Duo Spot 2	195	202 030 102 01	Dim-2-Warm SR	167	202 040 103 51	Mounting clip	131							218 000 201 07	LED Track Feed	29
202 023 902 04	LED Power-Stic	99	202 025 801 33	LED ModuLite F	223	202 027 821 03	LED Duo Spot 2	195	202 030 102 06	Dim-2-Warm SR	167	202 040 107 03	Mounting clip	91							218 000 201 23	Track feeder e	29
202 023 902 11	LED Power-Stic	99	202 025 802 02	LED ModuLite F	223	202 027 823 02	LED Duo Spot 2	195	202 030 102 08	Dim-2-Warm SR	167	202 040 107 04	Mounting clip	97	</								

INDEX BY ARTICLE NUMBER

Article No	Product	Page	Article No	Product	Page	Article No	Product	Page	Article No	Product	Page	Article No	Product	Page	Article No	Product	Page	Article No	Product	Page	Article No	Product	Page
610 012 931 02	SlimLite CS LE	129	610 014 272 02	LED Top-Stick	225	610 016 103 02	LED Pipe F 910	109	610 021 203 02	LED 2 Link Pix	199	610 563 050 02	set of 5 FR 68	161	610 600 103 22	Set of 1 LED B	69	615 000 327 63	LED-2-Link Sho	203	615 003 009 43	Transformer LE	260
610 012 931 03	SlimLite CS LE	129	610 014 272 03	LED Top-Stick	225	610 016 103 03	LED Pipe F 910	109	610 021 203 03	LED 2 Link Pix	199	610 563 050 03	set of 5 FR 68	161	610 600 103 23	Set of 1 LED B	69	615 000 328 10	LED Cover Prof	205	615 003 009 45	Transformer LE	260
610 012 932 02	SlimLite CS LE	129	610 014 272 22	LED Top-Stick	227	610 016 114 02	LED Pipe F 121	109	610 021 301 02	LED 2 Link Spo	197	610 563 330 02	set of 3 FR 68	161	610 600 103 24	Set of 1 LED B	69	615 000 328 13	LED Cover Prof	205	615 003 009 50	Transformer LE	261
610 012 932 03	SlimLite CS LE	129	610 014 272 23	LED Top-Stick	227	610 016 114 03	LED Pipe F 121	109	610 021 301 03	LED 2 Link Spo	197	610 563 330 03	set of 3 FR 68	161	610 600 103 72	Set of 1 LED B	69	615 000 328 61	LED Cover Prof	205	615 003 013 15	Transformer LE	29
610 012 933 02	SlimLite CS LE	129	610 014 273 02	LED Top-Stick	225	610 016 401 02	Lugano 450mm 8217	109	610 021 303 02	LED 2 Link Spo	197	610 564 330 02	set of 3 FQ 68	163	610 600 103 73	Set of 1 LED B	69	615 000 328 63	LED Cover Prof	205	615 003 017 01	Transformer LE	261
610 012 933 03	SlimLite CS LE	129	610 014 273 03	LED Top-Stick	225	610 016 401 03	Lugano 450mm 8217	109	610 021 303 03	LED 2 Link Spo	197	610 564 330 03	set of 3 FQ 68	163	610 600 103 74	Set of 1 LED B	69	615 000 329 01	LED-2-Link hol	203	615 003 017 02	Transformer LE	261
610 012 941 05	SlimLite CS LE	127	610 014 273 22	LED Top-Stick	227	610 016 402 02	Lugano 600mm 1217	109	610 021 331 02	LED 2 Link Spo	197	610 564 380 02	set of 3 FQ 68	163	610 600 104 12	Set of 1 LED B	69	615 000 329 03	LED-2-Link hol	203	615 003 017 03	Transformer LE	261
610 012 942 05	SlimLite CS LE	127	610 014 273 23	LED Top-Stick	227	610 016 402 03	Lugano 600mm 1217	109	610 021 331 03	LED 2 Link Spo	197	610 564 380 03	set of 3 FQ 68	163	610 600 104 13	Set of 1 LED B	69	615 000 329 11	LED-2-Link hol	203	615 003 017 04	Transformer LE	261
610 012 943 05	SlimLite CS LE	127	610 014 274 02	LED Top-Stick	225	610 016 403 02	Lugano 1200mm 217	109	610 021 333 02	LED 2 Link Spo	197	610 564 580 02	set of 5 FQ 68	163	610 600 104 14	Set of 1 LED B	69	615 000 329 13	LED-2-Link hol	203	615 003 017 05	Transformer LE	261
610 013 202 01	LED L-Pad 7,5W	241	610 014 274 03	LED Top-Stick	225	610 016 403 03	Lugano 1200mm 217	109	610 021 333 03	LED 2 Link Spo	197	610 564 580 03	set of 5 FQ 68	163	610 600 104 62	Set of 1 LED B	69	615 000 332 10	LED Milled Pro	85	615 003 017 06	Transformer LE	261
610 013 202 07	LED L-Pad 7,5W	241	610 014 274 22	LED Top-Stick	227	610 016 404 02	Lugano 900mm 1217	109	610 021 601 02	LED-2-Link Flo	201	610 565 302 01	set of 3 LED S	239	610 600 104 63	Set of 1 LED B	69	615 000 332 13	LED Milled Pro	85	615 003 022 03	Transformer LE	260
610 013 202 08	LED L-Pad 7,5W	241	610 014 274 23	LED Top-Stick	227	610 016 404 03	Lugano 900mm 1217	109	610 021 601 03	LED-2-Link Flo	201	610 565 302 03	set of 3 LED S	239	610 600 104 64	Set of 1 LED B	69	615 000 332 18	LED Milled Pro	85	615 003 024 01	Module Transfo	259
610 013 203 01	LED L-Pad 7,5W	241	610 014 302 01	AR 78-LED 7,5W	175	610 016 502 03	FQ 68-LED 4W w	163	610 021 603 02	LED-2-Link Flo	201	610 565 302 08	set of 3 LED S	239				615 000 332 61	LED Milled Pro	85			
610 013 203 07	LED L-Pad 7,5W	241	610 014 302 03	AR 78-LED 7,5W	175	610 016 502 06	FQ 68-LED 4W w	163	610 021 603 03	LED-2-Link Flo	201	610 565 303 01	set of 3 LED S	239				615 000 332 63	LED Milled Pro	85			
610 013 203 08	LED L-Pad 7,5W	241	610 014 302 08	AR 78-LED 7,5W	175	610 016 502 08	FQ 68-LED 4W w	163	610 021 611 02	LED-2-Link Flo	201	610 565 303 03	set of 3 LED S	239				615 000 332 68	LED Milled Pro	85			
610 014 101 01	LED IN-Stick H	117	610 014 303 01	AR 78-LED 7,5W	175	610 016 503 03	FQ 68-LED 4W n	163	610 021 611 03	LED-2-Link Flo	201	610 565 303 08	set of 3 LED S	239				615 000 334 10	LED Milled Pro	83			
610 014 101 02	LED IN-Stick H	117	610 014 303 03	AR 78-LED 7,5W	175	610 016 503 06	FQ 68-LED 4W n	163	610 021 613 02	LED-2-Link Flo	201	610 568 380 02	set of 3 FR 78	161				615 000 334 13	LED Milled Pro	83			
610 014 101 03	LED IN-Stick H	117	610 014 303 08	AR 78-LED 7,5W	175	610 016 503 08	FQ 68-LED 4W n	163	610 021 613 03	LED-2-Link Flo	201	610 568 380 03	set of 3 FR 78	161				615 000 334 61	LED Milled Pro	83			
610 014 102 01	LED IN-Stick H	117	610 014 610 02	UL 2-LED F 3W	243	610 016 601 03	Dynamic FQ 68-	155	610 021 621 02	LED-2-Link Flo	201	610 568 580 02	set of 5 FR 78	161				615 000 334 63	LED Milled Pro	83			
610 014 102 02	LED IN-Stick H	117	610 014 610 03	UL 2-LED F 3W	243	610 016 601 06	Dynamic FQ 68-	155	610 021 621 03	LED-2-Link Flo	201	610 568 580 03	set of 5 FR 78	161				615 000 335 10	LED Milled Pro	MF			
610 014 103 02	LED IN-Stick H	117	610 014 752 01	SR 68-LED Set	171	610 016 601 08	Dynamic FQ 68-	155	610 021 623 02	LED-2-Link Flo	201	610 569 330 02	set of 3 FR 55	151				615 000 335 61	LED Milled Pro	MF			
610 014 104 01	LED IN-Stick H	117	610 014 753 01	SR 68-LED Set	171	610 016 902 01	LED Slim-Pad F	239	610 021 623 03	LED-2-Link Flo	201	610 569 380 02	set of 3 FR 55	151				615 000 338 10	LED Milled Pro	84			
610 014 104 02	LED IN-Stick H	117	610 014 754 01	SR 68-LED Set	171	610 016 902 03	LED Slim-Pad F	239	610 022 102 06	HV FR 68-LED 3	165	610 569 380 03	set of 3 FR 55	151				615 000 338 61	LED Milled Pro	84			
610 014 104 03	LED IN-Stick H	117	610 014 755 01	SR 68-LED Set	171	610 016 902 08	LED Slim-Pad F	239	610 022 102 08	HV FR 68-LED 3	165	610 569 580 02	set of 5 FR 55	151				615 000 501 11	Door contact s	264			
610 014 121 01	LED IN-Stick H	117	610 014 756 01	SR 68-LED Set	171	610 016 903 01	LED Slim-Pad F	239	610 022 103 06	HV FR 68-LED 3	165	610 569 580 03	set of 5 FR 55	151				615 000 310 13	Front cover LE	83			
610 014 122 01	LED IN-Stick H	117	610 014 757 01	SR 68-LED Set	171	610 016 903 03	LED Slim-Pad F	239	610 022 103 08	HV FR 68-LED 3	165	610 571 301 08	set of 3 Dynam	155				615 000 310 18	Front cover LE	83			
610 014 122 02	LED IN-Stick H	117	610 014 758 01	SR 68-LED Set	171	610 016 903 08	LED Slim-Pad F	239	610 022 202 06	HV FR 78-LED 3	165	610 572 301 08	set of 3 Dynam	155				615 000 310 21	Front cover LE	82			
610 014 123 01	LED IN-Stick H	117	610 014 759 01	SR 68-LED Set	171	610 016 908 01	LED Slim-Pad F	239	610 022 202 08	HV FR 78-LED 3	165	610 573 301 02	set of 3 LED G	231				615 000 310 23	Front cover LE	82			
610 014 123 02	LED IN-Stick H	117	610 014 760 01	SR 68-LED Set	171	610 016 912 01	LED Slim-Pad F	239	610 022 203 06	HV FR 78-LED 3	165	610 573 301 03	set of 3 LED G	231				615 000 310 31	Front cover LE	79			
610 014 124 01	LED IN-Stick H	117	610 014 904 01	LED Pipe 1210m	111	610 016 912 03	LED Slim-Pad F	239	610 022 203 08	HV FR 78-LED 3	165	610 573 302 02	set of 3 LED G	231				615 000 310 33	Front cover LE	79			
610 014 124 02	LED IN-Stick H	117	610 014 904 02	LED Pipe 1210m	111	610 016 912 08	LED Slim-Pad F	239	610 022 301 02	Up + Down LED	107	610 573 302 03	set of 3 LED G	231				615 000 310 41	Front cover LE	82			
610 014 201 01	LED Top-Stick	119	610 014 904 03	LED Pipe 1210m	111	610 016 913 01	LED Slim-Pad F	239	610 022 302 02	Up + Down LED	107	610 574 201 32	set of 2 LED S	235				615 000 310 43	Front cover LE	82			
610 014 201 02	LED Top-Stick	119	610 014 911 01	LED Pipe 310mm	111	610 016 913 03	LED Slim-Pad F	239	610 022 302 03	Up + Down LED	107	610 574 201 33	set of 2 LED S	235				615 000 310 51	Front cover LE	84			
610 014 202 01	LED Top-Stick	119	610 014 911 02	LED Pipe 310mm	111	610 017 201 02	LED Point S 1W	213	610 022 304 02	Up + Down LED	107	610 574 201 82	set of 2 LED S	235				615 000 310 53	Front cover LE	84			
610 014 202 02	LED Top-Stick	119	610 014 911 03	LED Pipe 310mm	111	610 017 201 03	LED Point S 1W	213	610 025 501 02	LED IN-Stick M	115	610 574 201 83	set of 2 LED S	235				615 000 310 61	Front cover LE	85			
610 014 203 01	LED Top-Stick	119	610 014 912 01	LED Pipe 610mm	111	610 017 202 02	LED Point S 1W	213	610 025 501 03	LED IN-Stick M	115	610 574 202 32	set of 2 LED S	235				615 000 310 63	Front cover LE	85			
610 014 203 02	LED Top-Stick	119	610 014 912 02	LED Pipe 610mm	111	610 017 202 03	LED Point S 1W	213	610 025 502 02	LED IN-Stick M	115	610 574 202 33	set of 2 LED S	235				615 000 310 68	Front cover LE	85			
610 014 204 01	LED Top-Stick	119	610 014 912 03	LED Pipe 610mm	111	610 017 602 06	FR 78-LED 4W w	161	610 025 502 03	LED IN-Stick M	115	610 574 202 82	set of 2 LED S	235				615 000 310 81	Front cover LE	81			
610 014 204 02	LED Top-Stick	119	610 014 913 01	LED Pipe 910mm	111	610 017 602 08	FR 78-LED 4W w	161	610 025 503 02	LED IN-Stick M	115	610 574 202 83	set of 2 LED S	235				615 000 310 83	Front cover LE	81			
610 014 221 01	LED Top-Stick	119	610 014 913 02	LED Pipe 910mm	111	610 017 603 06	FR 78-LED 4W n	161	610 025 503 03	LED IN-Stick M	115	610 577 301 08	set of 3 Dynam	155				615 000 313 01	LED Corner Pro	79			
610 014 221 02	LED Top-Stick	119	610 014 913 03	LED Pipe 910mm	111	610 017 603 08	FR 78-LED 4W n	161	610 025 504 02	LED IN-Stick M	115	610 578 301 08	set of 3 Dynam	147				615 000 314 10	LED Milled Pro	83			
610 014 222 01	LED Top-Stick	119	610 015 102 01	AQ 78-LED 7,5W	175	610 017 701 06	Dynamic FR 78-	155	610 025 504 03	LED IN-Stick M	115	610 592 103 22	Set of 1 LED E	73				615 000 314 13	LED Milled Pro	83			
610 014 222 02	LED Top-Stick	119	610 015 102 03	AQ 78-LED 7,5W	175	610 017 701 08	Dynamic FR 78-	155	610 531 301 08	set of 3 Dynam	237	610 592 103 23	Set of 1 LED E	73				615 000 314 18	LED Milled Pro	83			
610 014 223 01	LED Top-Stick	119	610 015 102 08	AQ 78-LED 7,5W	175	610 017 820 03	FR 55-LED 3W w	151	610 532 301 03	set of 3 Dynam	233	610 592 103 24	Set of 1 LED E	73				615 000 314 61	LED Milled Pro	83			
610 014 223 02	LED Top-Stick	119	610 015 103 01	AQ 78-LED 7,5W	175	610 017 820 06	FR 55-LED 3W w	151	610 532 301 08	set of 3 Dynam	233	610 592 103 72	Set of 1 LED E	73				615 000 314 63	LED Milled Pro	83			
610 014 224																							